

**CHAPTER**

**21**

**AIR CONDITIONING**

CESSNA®  
**MODEL 208**  
 ILLUSTRATED PARTS CATALOG

<b>CHAPTER SECTION SUBJECT</b>		<b>NUMBER OF PAGES</b>	<b>DATE</b>
21 - TITLE			
21 - LIST OF EFFECTIVE PAGES			
21 - RECORD OF TEMPORARY REVISIONS			
21 - TABLE OF CONTENTS			
21-20-00	Figure 01	2	Jun 1/2010
21-20-01	Figure 01	2	Jun 1/2010
21-20-01	Figure 02	2	Dec 1/2012
21-21-00	Figure 01	2	Mar 1/2020
21-21-01	Figure 01	6	Mar 1/2020
21-21-01	Figure 02	4	Mar 1/2020
21-21-01	Figure 03	6	Sep 1/2017
21-21-01	Figure 04	6	Mar 1/2020
21-21-02	Figure 01	4	Mar 1/2020
21-21-03	Figure 01	4	Mar 1/2020
21-21-03	Figure 02	4	Mar 1/2020
21-21-03	Figure 03	6	Mar 1/2018
21-21-04	Figure 01	2	Sep 1/2016
21-22-00	Figure 01	6	Mar 1/2020
21-22-00	Figure 01A	6	Sep 1/2017
21-22-01	Figure 01	4	Mar 1/2020
21-22-02	Figure 01	6	Sep 1/2017
21-22-02	Figure 01A	6	Sep 1/2017
21-22-03	Figure 01	4	Sep 1/2017
21-41-00	Figure 01	6	Mar 1/2019
21-41-01	Figure 01	4	Sep 1/2016
21-41-01	Figure 02	4	Mar 1/2020
21-41-01	Figure 03	2	Sep 1/2017
21-41-02	Figure 01	4	Mar 1/2020
21-41-02	Figure 02	2	Aug 1/1995
21-50-00	Figure 01	2	Mar 1/2020
21-50-00	Figure 02	2	Mar 1/2020
21-51-00	Figure 01	14	Mar 1/2020
21-51-00	Figure 01A	10	Mar 1/2018
21-51-00	Figure 01B	10	Mar 1/2018
21-51-01	Figure 01	6	Mar 1/2020
21-51-01	Figure 01A	4	Jun 1/2018
21-51-01	Figure 02	4	Mar 1/2020
21-51-01	Figure 02A	4	Mar 1/2020
21-51-02	Figure 01	4	Mar 1/2020
21-51-02	Figure 01A	2	Mar 1/2018
21-51-02	Figure 01B	2	Mar 1/2018
21-51-03	Figure 01	4	Apr 1/2016
21-51-03	Figure 01A	2	Mar 1/2018
21-51-03	Figure 01B	2	Mar 1/2018
21-51-03	Figure 02	2	Mar 1/2020
21-51-03	Figure 02A	2	Mar 1/2019
21-51-03	Figure 02B	2	Mar 1/2019
21-51-03	Figure 03	2	Sep 1/2019
21-51-03	Figure 04	2	Mar 1/2015

CESSNA®  
**MODEL 208**  
 ILLUSTRATED PARTS CATALOG

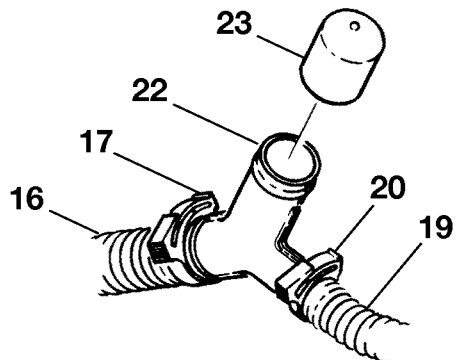
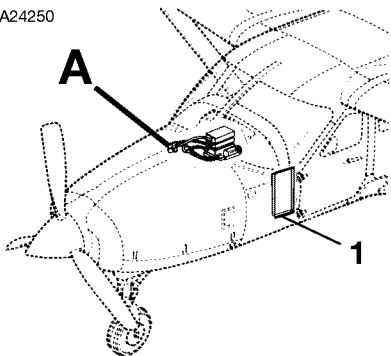
<u>SUBJECT</u>	<u>CHAPTER SECTION SUBJECT</u>	<u>FIGURE</u>	<u>EFFECTIVITY</u>	
			<u>START</u>	<u>END</u>
RADIO COOLING INSTALLATION - SPERRY RADIOS	21-20-00	01	0001	0145
RADIO COOLING INSTALLATION - KING RADIOS	21-20-01	01	0001	0247
			B0180	B0529
RADIO COOLING INSTALLATION - KING RADIOS	21-20-01	02	0248	& ON
			B0530	& ON
FORWARD VENTILATION SYSTEM	21-21-00	01		
OVERHEAD VENTILATION SYSTEM WITHOUT AIR CONDITIONING	21-21-01	01	0001	0207
OVERHEAD VENTILATION SYSTEM WITHOUT AIR CONDITIONING	21-21-01	02	0208	& ON
OVERHEAD VENTILATION SYSTEM WITH AIR CONDITIONING	21-21-01	03	0140	0207
OVERHEAD VENTILATION SYSTEM WITH AIR CONDITIONING	21-21-01	04	0208	& ON
OVERHEAD VENTILATION SYSTEM - 208	21-21-02	01	0113	0499
OVERHEAD VENTILATION SYSTEM	21-21-03	01	B0001	& ON
OVERHEAD VENTILATION SYSTEM PASSENGER VERSION	21-21-03	02	B0214	B0279
OVERHEAD VENTILATION SYSTEM PASSENGER VERSION	21-21-03	03	B0280	& ON
VENTILATION FAN INSTALLATION	21-21-04	01	0001	& ON
			B0214	& ON
CABIN HEATING AND DEFROSTING SYSTEM	21-22-00	01	0001	0572
CABIN HEATING AND DEFROSTING SYSTEM	21-22-00	01A	0573	& ON
CABIN HEATING AND DEFROSTING SYSTEM	21-22-01	01	0001	& ON
			B0001	& ON
CABIN HEATING AND DEFROSTING SYSTEM - PASSENGER VERSION	21-22-02	01	B0214	B5224
CABIN HEATING AND DEFROSTING SYSTEM - PASSENGER VERSION	21-22-02	01A	B5225	& ON
HEATER AND DEFROSTER VALVE ASSEMBLIES	21-22-03	01		
BLEED AIR HEATER COMPONENTS	21-41-00	01		
FLOW CONTROL VALVE INSTALLATION	21-41-01	01	0001	0179
			B0001	B0209
FLOW CONTROL VALVE INSTALLATION	21-41-01	02	0180	& ON
			B0210	& ON
			B5000	& ON
FLOW CONTROL VALVE INSTALLATION	21-41-01	03		
DIVERTER VALVE ASSEMBLIES - BLEED AIR	21-41-02	01		
FIREWALL SHUTOFF VALVE ASSEMBLIES	21-41-02	02		
GARMIN DISPLAY COOLING FAN	21-50-00	01		
COWL DECK COOLING FANS	21-50-00	02	0500	& ON
			B2000	& ON
AIR CONDITIONING SYSTEM	21-51-00	01	0140	& ON
			B0214	& ON
AIR CONDITIONING SYSTEM	21-51-00	01A		
AIR CONDITIONING SYSTEM	21-51-00	01B		
AIR CONDITIONER COMPRESSOR AND DRIVE UNIT INSTALLATION	21-51-01	01	0140	& ON
			B0214	B4999
AIR CONDITIONER COMPRESSOR AND DRIVE UNIT INSTALLATION	21-51-01	01A		
AIR CONDITIONER COMPRESSOR AND DRIVE UNIT INSTALLATION	21-51-01	02	B5000	& ON
AIR CONDITIONER COMPRESSOR AND DRIVE UNIT INSTALLATION	21-51-01	02A	B5000	& ON
AIR CONDITIONER CONDENSER INSTALLATION	21-51-02	01	0140	& ON
			B0214	& ON
AIR CONDITIONER CONDENSER INSTALLATION	21-51-02	01A		
AIR CONDITIONER CONDENSER INSTALLATION	21-51-02	01B		

CESSNA®  
**MODEL 208**  
 ILLUSTRATED PARTS CATALOG

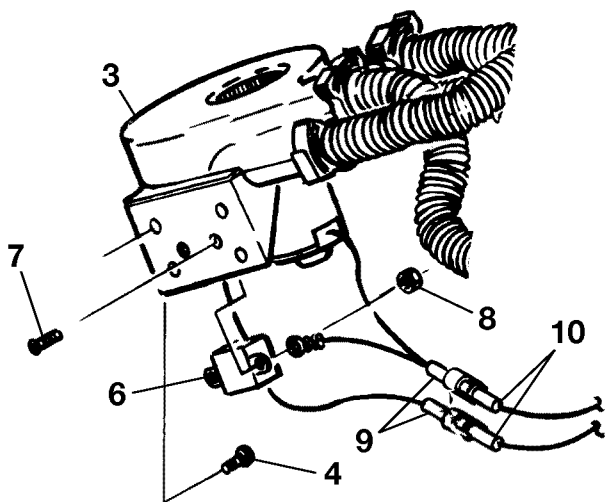
<u>SUBJECT</u>	<u>CHAPTER SECTION SUBJECT</u>	<u>FIGURE</u>	<u>EFFECTIVITY</u>	
			<u>START</u>	<u>END</u>
EVAPORATOR INSTALLATION - WING MOUNTED	21-51-03	01	0140 B0214	& ON & ON
EVAPORATOR INSTALLATION - AFT MOUNTED	21-51-03	01A		
EVAPORATOR INSTALLATION - AFT MOUNTED	21-51-03	01B		
EVAPORATOR INSTALLATION - AFT MOUNTED	21-51-03	02	0140 B0214	& ON & ON
EVAPORATOR INSTALLATION - WING MOUNTED	21-51-03	02A		
EVAPORATOR INSTALLATION - WING MOUNTED	21-51-03	02B		
EVAPORATOR ASSEMBLIES - WING MOUNTED	21-51-03	03	0140 B0214	& ON & ON
EVAPORATOR ASSEMBLY - AFT	21-51-03	04	0140 B0214	& ON & ON

CESSNA®  
**MODEL 208**  
 ILLUSTRATED PARTS CATALOG

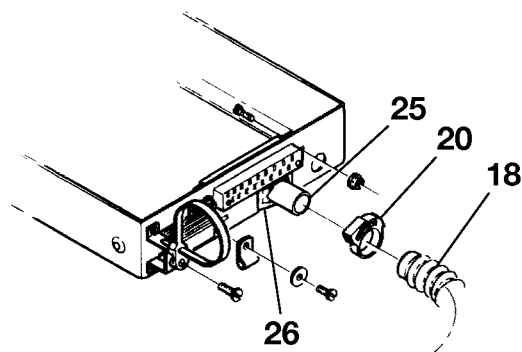
A24250



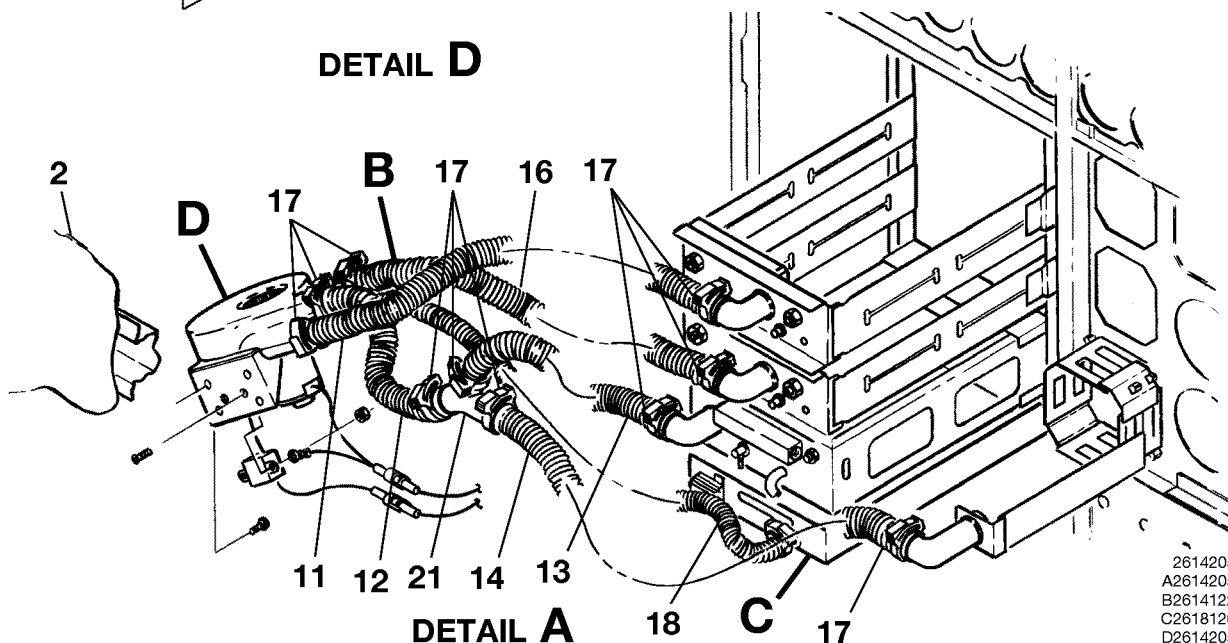
**DETAIL B**



**DETAIL D**



**DETAIL C**



**DETAIL A**  
 RADIO COOLING INSTALLATION - SPERRY RADIOS  
 FIGURE 01 (SHEET 1)

26142054  
 A26142053  
 B26141224  
 C26181206  
 D26142053

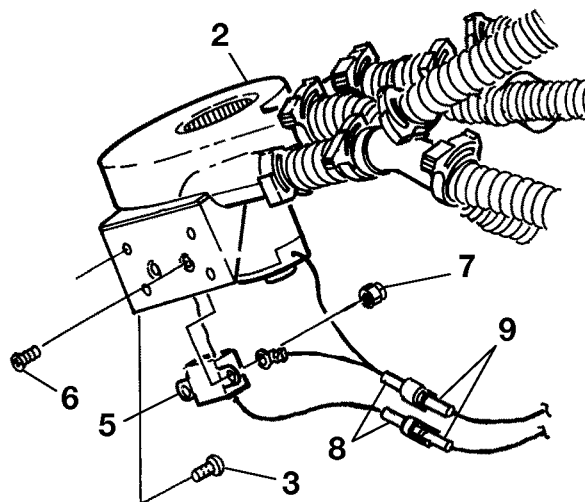
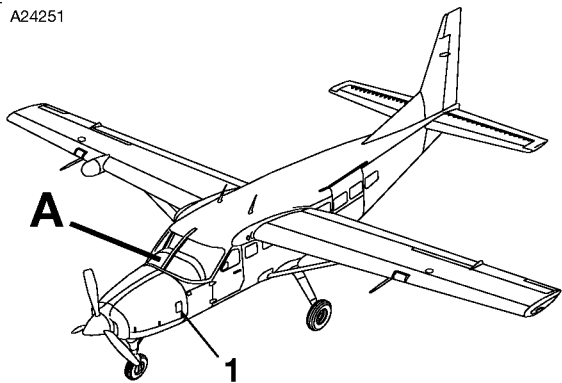
**CESSNA®**  
**MODEL 208**  
**ILLUSTRATED PARTS CATALOG**

FIG ITEM	PART NUMBER	NOMENCLATURE	UNITS PER ASSY		
			1	2	3
01		RADIO COOLING INSTALLATION - SPERRY RADIOS	0001	0145	RF R
-		. AVIONICS CIRCUIT BREAKER PANEL INSTALLATION REFER TO 24-52-03			RF
1		FIGURE 01 . . . . .			
2		. FIREWALL ASSY REFER TO 53-10-00 FIGURE 01 . . . . .			RF
3	C414007-0102	. BLOWER ASSY-RADIO COOLING . . . . .			01
		ATTACHING PARTS			
4	AN520-20R34	. SCREW . . . . .			02
- 5	NAS43DD3-96	. SPACER . . . . .			02
		—*—			
6	S2439-2	. . FILTER ASSY-NOISE . . . . .			01
		ATTACHING PARTS			
7	MS24693-S28	. . SCREW . . . . .			02
8	MS21044N06	. . NUT . . . . .			02
		—*—			
9	S1637-1	. HOUSING-CAP . . . . .			02
10	S1637-2	. HOUSING-PLUG . . . . .			02
11	S1053E7W	. DUCT-USED WITH FIRST SPERRY NAV/COM BKI . . . . .			01
12	S1053E7W	. DUCT-USED WITH SPERRY 400 DME AND RNAV BKI . . . . .			01
13	S1053E7W	. DUCT-USED WITH SPERRY 400 RNAV BKI . . . . .			01
14	S1053E7W	. DUCT-USED WITH SPERRY 400 DME BKI . . . . .			01
- 15	S1053E7W	. DUCT-USED WITH 2ND SPERRY NAV/COM BKI . . . . .			01
16	S1053E7W	. DUCT BKI . . . . .			01
		ATTACHING PARTS			
17	S2536-56	. CLAMP . . . . .			02
		—*—			
18	S1053E5W	. DUCT-USED WITH SPERRY TRANSPONDER BKI . . . . .			01
19	S1053E5W	. DUCT BKI . . . . .			01
		ATTACHING PARTS			
20	S2536-44	. CLAMP . . . . .			02
		—*—			
21	1713241-1	. DUCT ASSY-USED WITH 400 DME AND RNAV . . . . .			01
22	1713241-3	. DUCT ASSY . . . . .			01
23	S2093-9	. COVER-PORT .843 ID REFER TO NOTE 1 . . . . .			AR
- 24	S2093-8	. COVER-PORT .625 ID REFER TO NOTE 1 . . . . .			AR
25	0570450-1	. BLAST TUBE . . . . .			01
		ATTACHING PARTS			
26	S2459-1	. NUT . . . . .			01
		—*—			

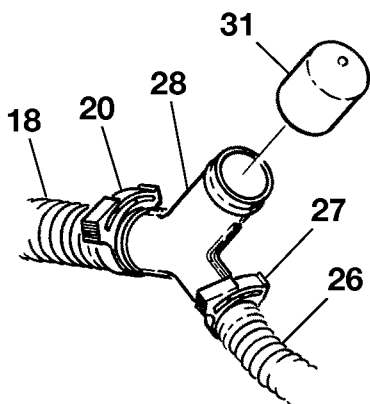
NOTE 1—COVER ALL OPEN PORTS WITH S2093-8 COVER (SMALL PORT) OR S2093-9 COVER (LARGE PORT).

CESSNA®  
**MODEL 208**  
 ILLUSTRATED PARTS CATALOG

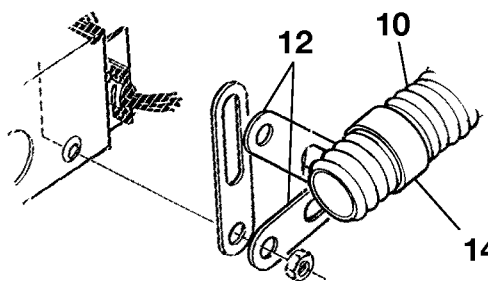
A24251



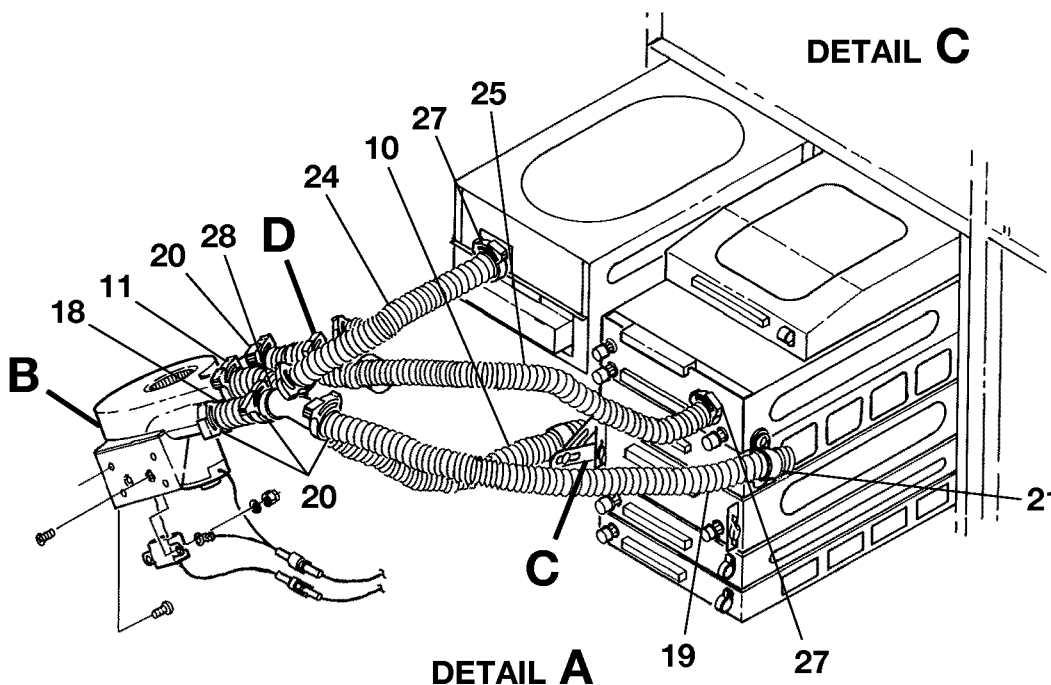
**DETAIL B**



**DETAIL D**



**DETAIL C**



**DETAIL A**

RADIO COOLING INSTALLATION - KING RADIOS  
 FIGURE 01 (SHEET 1)

2610T7005  
 A2614T2053  
 B2614T2001  
 C2614T1224  
 D2614T1224

**CESSNA®**  
**MODEL 208**  
**ILLUSTRATED PARTS CATALOG**

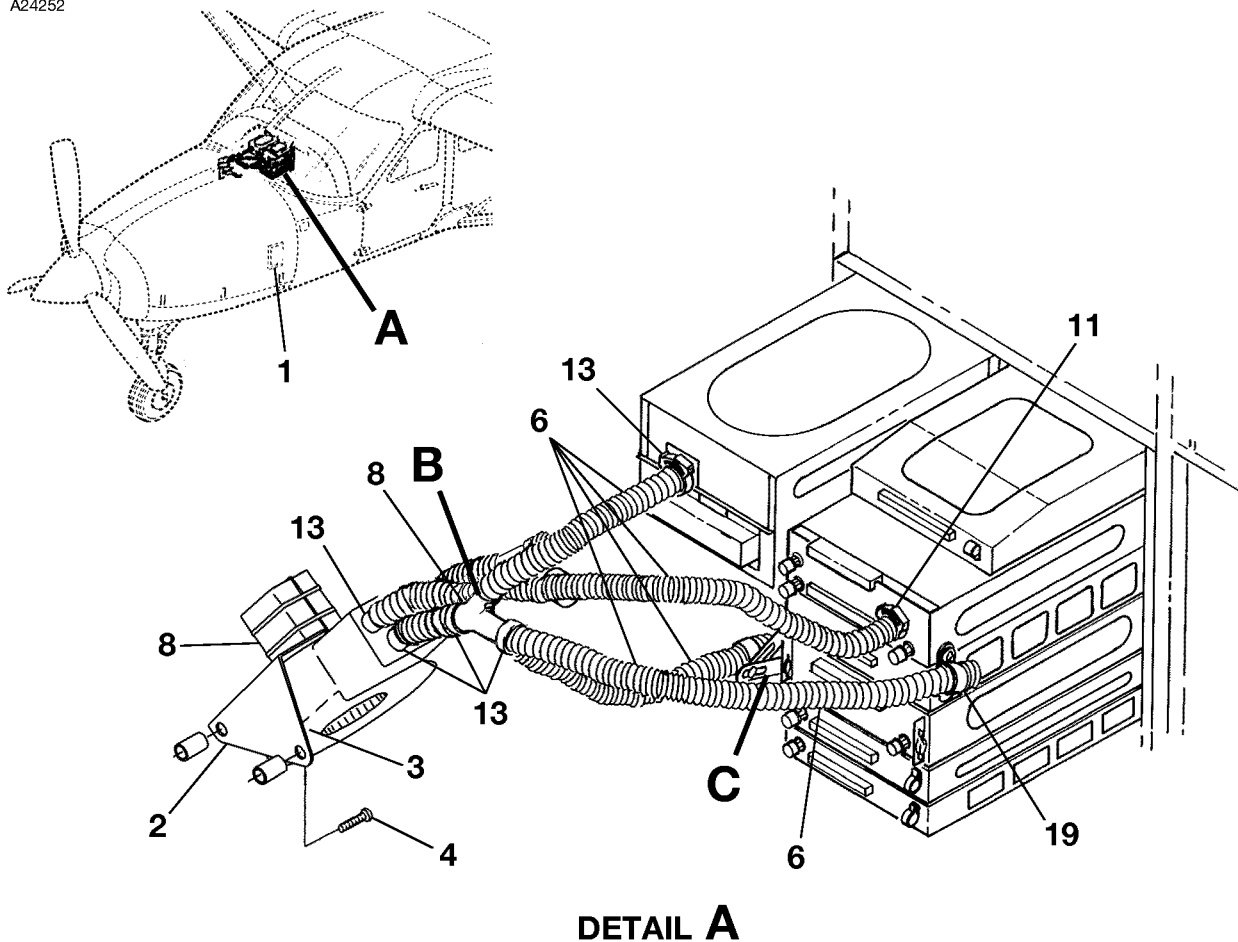
FIG ITEM	PART NUMBER	NOMENCLATURE	UNITS PER ASSY		
			1	2	3
01		RADIO COOLING INSTALLATION - KING RADIOS			
-			0001	0247	RF R
			B0180	B0529	
1		. AVIONICS CIRCUIT BREAKER PANEL INSTALLATION REFER TO 24-52-03 FIGURE 01 . . . . .			RF
2	C414007-0102	. BLOWER ASSY-RADIO COOLING . . . . . ATTACHING PARTS			01
3	AN520-10R34	. SCREW . . . . .			02
- 4	NAS43DD3-96	. SPACER . . . . . —*—			02
5	S2439-2	. . FILTER ASSY-NOISE . . . . . ATTACHING PARTS			01
6	MS24693-S28	. . SCREW . . . . .			02
7	MS21044N06	. . NUT . . . . . —*—			02
8	S1637-1	. HOUSING-CAP . . . . .			02
9	S1637-2	. HOUSING-PLUG . . . . .			02
10	S1053E7W	. DUCT-USED WITH KING RNAV BKI . . . . . ATTACHING PARTS			01
11	S2536-56	. CLAMP-BLOWER . . . . .			01
12	1270078-1	. STRAP 4.2 IN LONG . . . . .			AR
- 13	1270078-3	. STRAP 3.2 IN LONG . . . . .			AR
14	MS21919DG14	. CLAMP-RADIO . . . . .			01
- 15	MS24693-S28	. SCREW . . . . .			01
- 16	MS21044N06	. NUT . . . . . —*—			01
- 17	S1053E7W	. DUCT-USED WITH 2ND KING NAV/COM BKI . . . . .			01
18	S1053E7W	. DUCT-USED WITH KING RADAR BKI . . . . .			01
19	S1053E7W	. DUCT-USED WITH KING COM BKI . . . . . ATTACHING PARTS			AR
20	S2536-56	. CLAMP . . . . .			02
21	MS21919DG14	. CLAMP-COM TRANSCEIVER ONLY . . . . .			01
- 22	MS24693-S28	. SCREW-COM TRANSCEIVER ONLY . . . . .			01
- 23	MS21044N06	. NUT-COM TRANSCEIVER ONLY . . . . . —*—			01
24	S1053E5W	. DUCT-USED WITH KING RADAR BKI . . . . .			01
25	S1053E5W	. DUCT-USED WITH 1ST KING NAV/COM BKI . . . . .			01
26	S1053E5W	. DUCT-USED WITH 2ND KING NAV/COM BKI . . . . . ATTACHING PARTS			01
27	S2536-44	. CLAMP . . . . . —*—			02
28	1713241-1	. DUCT ASSY-OUTLETS 0.87/0.87 OD . . . . .			AR
- 29	1713241-3	. DUCT ASSY-OUTLETS 0.62/0.87 OD . . . . .			AR
- 30	1713241-11	. DUCT ASSY-OUTLETS 0.62/0.62 OD . . . . .			AR
31	S2093-9	. COVER-PORT .843 ID REFER TO NOTE 1 . . . . .			AR
- 32	S2093-8	. COVER-PORT .625 ID REFER TO NOTE 1 . . . . .			AR

NOTE 1—COVER ALL OPEN PORTS WITH S2093-8 COVER (SMALL PORT) OR S2093-9 COVER (LARGE PORT).

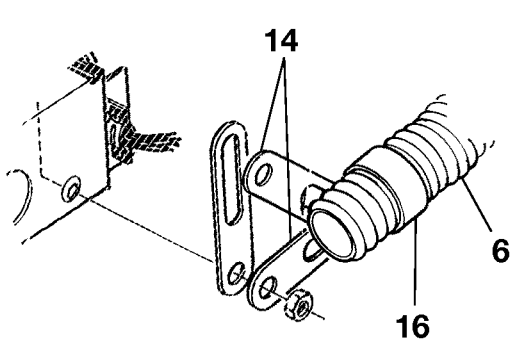


CESSNA®  
**MODEL 208**  
 ILLUSTRATED PARTS CATALOG

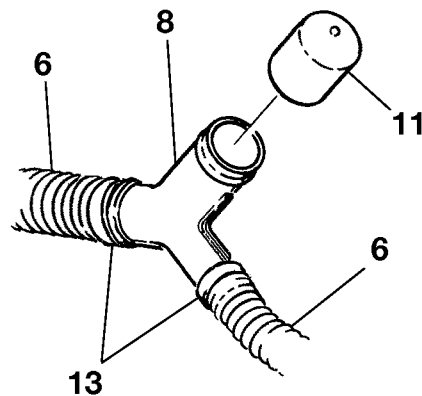
A24252



**DETAIL A**



**DETAIL C**



**DETAIL B**

2614R1223  
 A2614R2001  
 B2614R1224  
 C26141224

RADIO COOLING INSTALLATION - KING RADIOS  
 FIGURE 02 (SHEET 1)

**CESSNA®**  
**MODEL 208**  
**ILLUSTRATED PARTS CATALOG**

FIG ITEM	PART NUMBER	NOMENCLATURE	UNITS	
			PER	ASSY
02				
-		RADIO COOLING INSTALLATION - KING RADIOS REFER TO NOTE 1	0248 & ON B0530 & ON	RF
1		. AVIONICS CIRCUIT BREAKER PANEL INSTALLATION REFER TO 24-52-03 FIGURE 01 . . . . .		RF
2	071-04037-0001	. BLOWER ASSY-RADIO COOLING . . . . .	V22373	01
3	2614069-4	. BRACKET . . . . .		01
4	AN520-10R22	. SCREW . . . . .		02
- 5	NAS43DD3-48	. SPACER . . . . .		02
6	S1053E7W	. DUCT .843 ID BKI . . . . .		AR
- 7	S1053E5W	. DUCT .625 ID BKI . . . . .		AR
8	1713241-1	. DUCT ASSY-OUTLETS 0.87/0.87 OD . . . . .		AR
- 9	1713241-3	. DUCT ASSY-OUTLETS 0.62/0.87 OD . . . . .		AR
- 10	1713241-11	. DUCT ASSY-OUTLETS 0.62/0.62 OD . . . . .		AR
11	S2093-9	. COVER-PORT .843 ID REFER TO NOTE 2 . . . . .		AR
- 12	S2093-8	. COVER-PORT .625 ID REFER TO NOTE 2 . . . . .		AR
13	MS3367-2-9	. TIE . . . . .		01
14	1270078-1	. STRAP 4.2 INCHES LONG . . . . .		AR
- 15	1270078-3	. STRAP 3.2 INCHES LONG . . . . .		AR
16	MS21919WDG10	. CLAMP . . . . .		01
- 17	MS24693-S28	. SCREW . . . . .		01
- 18	MS21044N06	. NUT . . . . .		01
19	MS21919WDG10	. CLAMP-COM TRANSCEIVER ONLY . . . . .		01
- 20	MS24693-S28	. SCREW . . . . .		01
- 21	MS21044N06	. NUT . . . . .		01

NOTE 1—ALSO INCLUDES AIRPLANES INCORPORATING SK208-128.

NOTE 2—COVER ALL OPEN PORTS WITH S2093-8 COVER (SMALL PORT) OR S2093-9 COVER (LARGE PORT). R



**CESSNA®**  
**MODEL 208**  
**ILLUSTRATED PARTS CATALOG**

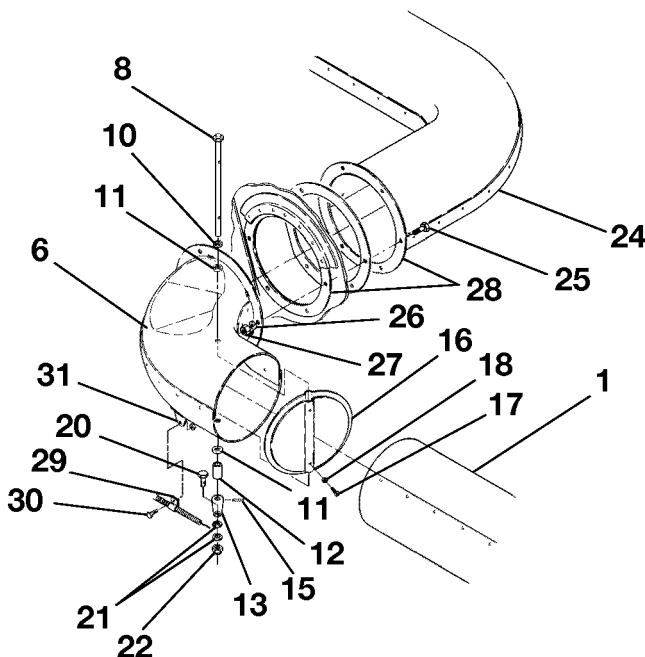
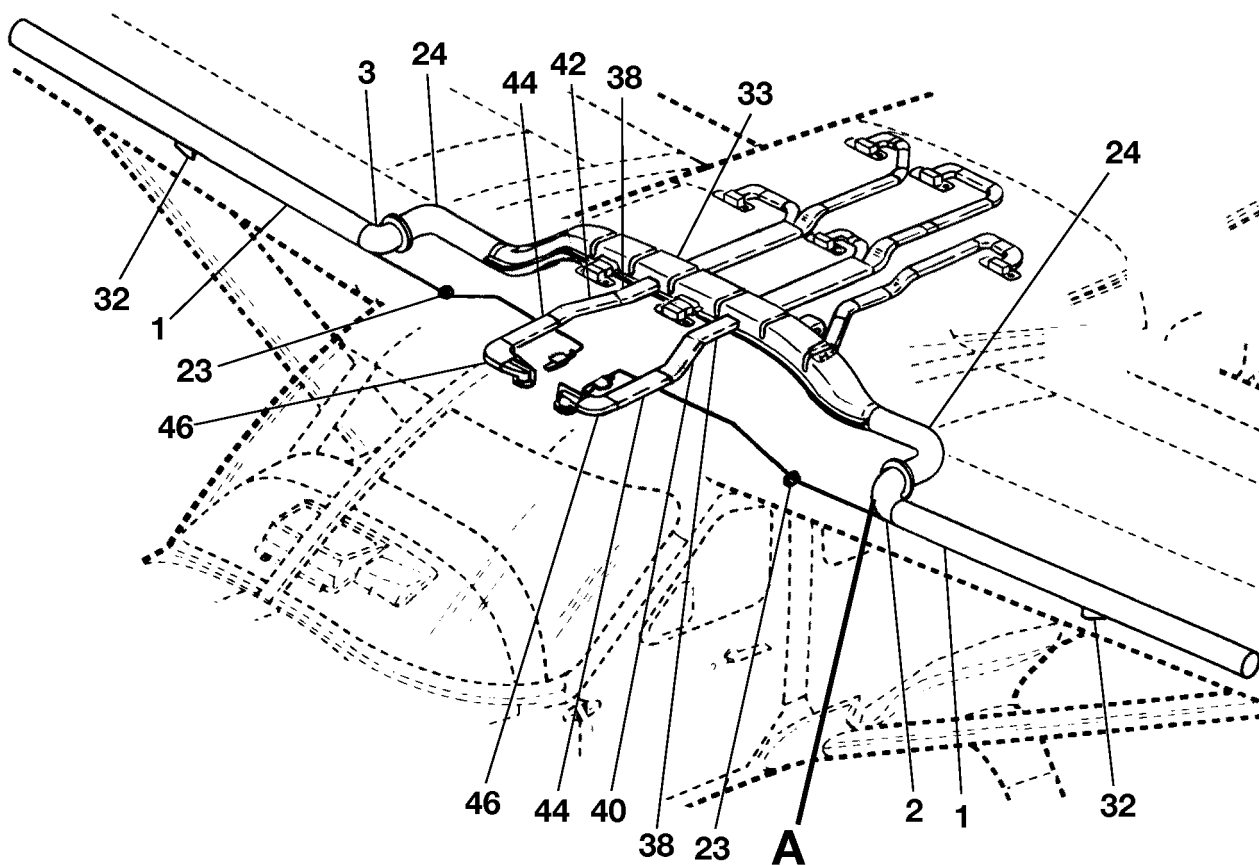
FIG ITEM	PART NUMBER	NOMENCLATURE	UNITS PER ASSY		
			1	2	3
01		FORWARD VENTILATION SYSTEM			RF
- 1	2613193-4	. OUTLET HOUSING ASSY FSO 2613193-8 . . . . .	0001	0138	NP
			B0001	B0108	
- 2	2613193-8	. OUTLET HOUSING ASSY REFER TO NOTE 1 . . . . .	0139	0499	02
			B0109	B1999	
- 2A	2613478-1	. OUTLET ASSY . . . . .	0500	& ON	02
			B2000	& ON	
		ATTACHING PARTS			
3	MS35214-27	. SCREW . . . . .			04
4	NAS1149DN616K	. WASHER . . . . .			04
5	MS21044N06	. NUT . . . . .			04
		—*—			
6	172HS	. BEZEL . . . . . VCPRI	0001	0138	02
			B0001	B0108	
- 7	353S	. BEZEL . . . . . VCPRI	0139	& ON	02
			B0109	& ON	
8	3001HS	. LOUVER . . . . . VCPRI			02
9	C2252-064-4	. CLIP . . . . . VCPRI	0001	0138	04
			B0001	B0108	
10	S1053E20T	. DUCT BKI . . . . .			02
11	MS3367-2-9	. STRAP . . . . .			16
- 12	2613187-1	. AIR INLET ASSY-LH FSO 2613187-5 . . . . .	0001	0196	NP
			B0001	B0227	
- 13	2613187-3	. AIR INLET ASSY-LH FSO 2613187-5 . . . . .	0197	0207	NP
			B0228	B0279	
- 14	2613187-5	. AIR INLET ASSY-LH . . . . .	0208	& ON	01
			B0280	& ON	
- 15	2613187-2	. AIR INLET ASSY-RH FSO 2613187-6 . . . . .	0001	0196	NP
			B0001	B0227	
- 16	2613187-4	. AIR INLET ASSY-RH FSO 2613187-6 . . . . .	0197	0207	NP
			B0228	B0279	
- 17	2613187-6	. AIR INLET ASSY-RH . . . . .	0208	& ON	01
			B0280	& ON	
18	2613291-1	. HOUSING ASSY-LH FSO 2613291-3 . . . . .	0001	0196	NP
			B0001	B0227	
- 19	2613291-3	. HOUSING ASSY-LH . . . . .	0197	& ON	01
			B0228	& ON	
- 20	2613291-2	. HOUSING ASSY-RH FSO 2613291-4 . . . . .	0001	0196	NP R
			B0001	B0227	
- 21	2613291-4	. HOUSING ASSY-RH . . . . .	0197	& ON	01
			B0228	& ON	
22	2613191-2	. LEVER . . . . .			01
		ATTACHING PARTS			
23	MS20392-1C7	. PIN . . . . .			01
24	NAS1149FN432P	. WASHER . . . . .			01
25	MS24665-132	. COTTER PIN . . . . .			01
		—*—			
26	1213999-1	. LINK . . . . .			01
27	2613188-2	. SEAL . . . . .			01
28	2613190-1	. DOOR ASSY-FRESH AIR LH . . . . .			01
- 29	2613190-5	. DOOR ASSY-FRESH AIR RH . . . . .			01
		ATTACHING PARTS			
30	MS20392-1C7	. PIN . . . . .			02
31	NAS1149FN432P	. WASHER . . . . .			02
32	MS24665-132	. COTTER PIN . . . . .			02
		—*—			
33	S1241-50	. CONTROL ASSY-FRESH AIR ALT FOR S1241-59 . . . . .	0001	0499	02
			B0001	B1999	
- 33A	S1241-59	. CONTROL ASSY-FRESH AIR ALT FOR S1241-50 . . . . .	0001	0499	02
			B0001	B1999	
- 33B	S1241-60	. CONTROL ASSY-FRESH AIR . . . . .	0500	& ON	02
			B2000	& ON	
		ATTACHING PARTS			
34	AN742D4	. CLAMP . . . . .			01
35	S1021Z8-8	. SCREW . . . . .			01
36	S4215-4	. NUT . . . . .			01
37	S2323-5	. CLAMP . . . . .			01
38	NAS1149F0332P	. WASHER . . . . .			01
39	MS21044N3	. NUT . . . . .			01
		—*—			
40	1213345-1	. SCREEN . . . . .	0001	0499	02
			B0001	B1999	

NOTE 1—WHEN INITIALLY ORDERING THIS PART FOR AIRPLANES PRIOR TO 208-0139 OR 208B0109 ALSO ORDER 353S BEZEL.

- ITEM NOT ILLUSTRATED

CESSNA®  
**MODEL 208**  
 ILLUSTRATED PARTS CATALOG

A25188



**DETAIL A**

OVERHEAD VENTILATION SYSTEM WITHOUT AIR CONDITIONING  
 FIGURE 01 (SHEET 1)

26142018  
 A26143006

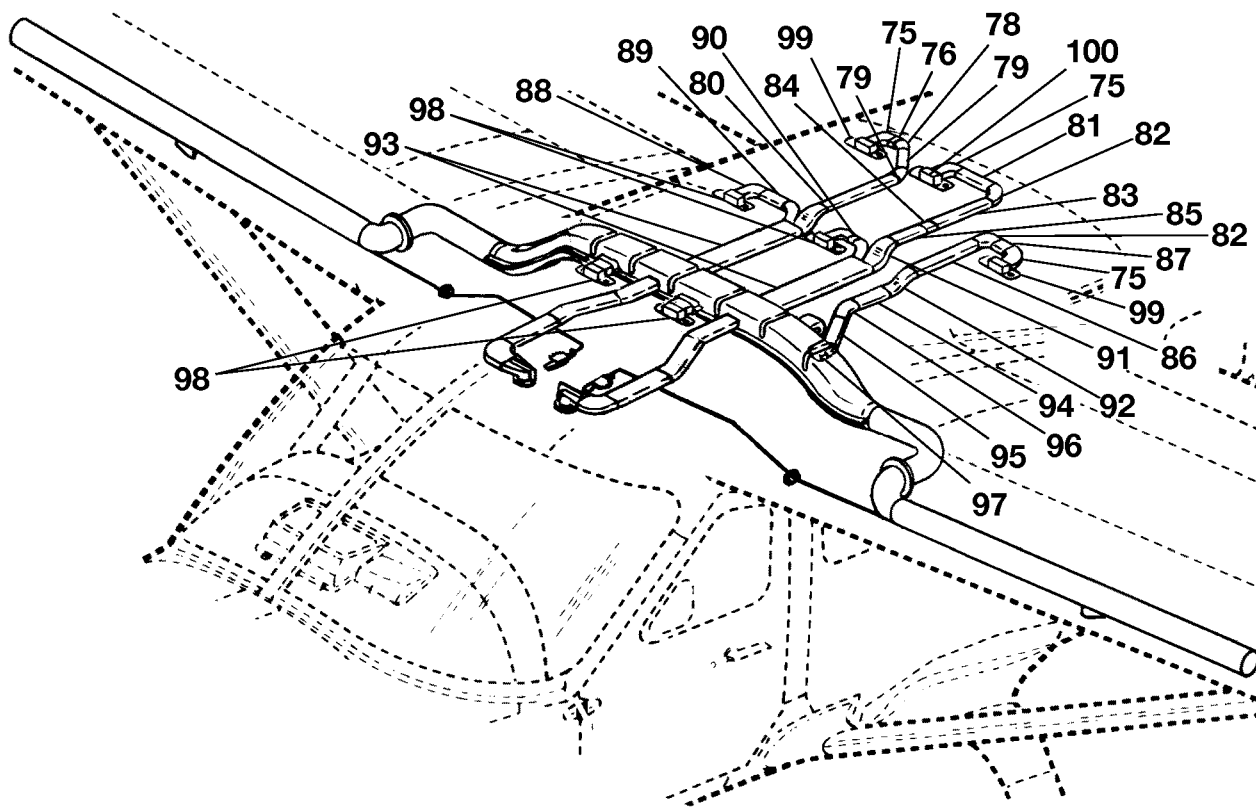
**CESSNA®**  
**MODEL 208**  
**ILLUSTRATED PARTS CATALOG**

FIG ITEM	PART NUMBER	NOMENCLATURE	UNITS		
			1	2	PER ASSY
01		OVERHEAD VENTILATION SYSTEM WITHOUT AIR CONDITIONING	0001	0207	RF
-		. DUCT ASSY . . . . .			02
1	2611165-23	. VALVE ASSY-WING VENT LH FSO 2611165-45 . . . . .	0001	0131	NP
2	2611165-7	. VALVE ASSY-WING VENT RH FSO 2611165-46 . . . . .	0001	0131	NP
3	2611165-8	. VALVE ASSY-WING VENT LH FSO 2611165-45 . . . . .	0132	0207	NP
- 4	2611165-41	. VALVE ASSY-WING VENT RH FSO 2611165-46 . . . . .	0132	0207	NP
- 5	2611165-42	. ELBOW ASSY . . . . .	0001	0131	01 R
6	2611165-11	. ELBOW ASSY . . . . .	0132	0207	01
- 7	2611165-43	. SHAFT ASSY-LH VALVE . . . . .			01
8	2611165-18	. SHAFT ASSY-RH VALVE . . . . .			01
- 9	2611165-26	. WASHER . . . . .			01
10	S1438-17	. WASHER . . . . .			02
11	NAS1149D0463K	. SPACER . . . . .			01
12	NAS43HT4-38	. ARM ASSY FSO 2611227-1 . . . . .			NP
13	2611165-15	. ARM ASSY . . . . .			01
- 14	2611227-1	ATTACHING PARTS			
	15	MS16562-16 . . . . .			01
		—*—			
	16	2611165-20 . . . . .			01
		ATTACHING PARTS			
	17	MS35206-231 . . . . .			02
	18	NAS1149FN632P . . . . .			02
		—*—			
- 19	MS21069L06K	. . . . . NUTPLATE . . . . .			02
20	S2323-5	. . . . . CLAMP . . . . .			01
21	NAS1149F0332P	. . . . . WASHER . . . . .			02
22	MS21042L3	. . . . . NUT . . . . .			01
23	MS35489-134	. . . . . GROMMET . . . . .			02
24	2611165-40	. ELBOW ASSY . . . . .			02
		ATTACHING PARTS			
	25	AN3-5A . . . . .			04
	26	NAS1149F0332P . . . . .			04
	27	MS21044N3 . . . . .			04
	28	2611165-2 . . . . .			02
		—*—			
	29	S2226-1 . . . . .			02
	30	AN3-3A . . . . .			02
	31	MS21044N3 . . . . .			02
	32	2611165-25 . . . . .			02
		BRACE . . . . .			
		ATTACHING PARTS			
- 32A	MS35206-229	. . . . . SCREW . . . . .			02
- 32B	NAS1149FN616P	. . . . . WASHER . . . . .			02
- 32C	MS21044N06	. . . . . NUT . . . . .			02
		—*—			
33	2611105-1	. PLENUM ASSY FSO 2611105-200 . . . . .	0001	0092	NP
- 34	2611105-22	. PLENUM ASSY FSO 2611105-203 . . . . .	0093	0207	NP
		ATTACHING PARTS			
- 35	AN3-35A	. . . . . BOLT . . . . .			04
- 36	NAS1149F0363P	. . . . . WASHER . . . . .			04
- 37	NAS43DD3-196N	. . . . . SPACER . . . . .			04
- 37A	NAS43DD3-196FC	. SPACER ALT FOR NAS43DD3-196N . . . . .			04
		—*—			
38	S2514-1	. DUCT BKI 9.88 IN LG . . . . .	0001	0092	02
- 39	S2514-2	. DUCT BKI 9.88 IN LG ALT FOR 600-400000-02 REFER TO NOTE 1 . . . . .	0093	0207	02
- 39A	600-400000-02	. DUCT REFER TO NOTE 1 . . . . .	0093	0207	02
40	2610020-38	. COUPLING ASSY-LH . . . . .	0001	0092	01
- 41	2610020-107	. COUPLING ASSY-LH . . . . .	0093	0207	01
42	2610020-39	. COUPLING ASSY-RH . . . . .	0001	0092	01
- 43	2610020-108	. COUPLING ASSY-RH . . . . .	0093	0207	01
44	S2514-1	. DUCT BKI 10.75 IN LG . . . . .	0001	0092	02
- 45	S2514-2	. DUCT BKI 10.75 IN LG ALT FOR 600-400000-02 REFER TO NOTE 1 . . . . .	0093	0207	02
- 45A	600-400000-02	. DUCT REFER TO NOTE 1 . . . . .	0093	0207	02
46	2610020-1	. ELBOW . . . . .	0001	0092	02
- 47	2610020-111	. ELBOW . . . . .	0093	0207	02

NOTE 1—PERMISSIBLE TO USE 600-400000-02 IN LIEU OF S2514-2, CUT TO LENGTH.

CESSNA®  
MODEL 208  
ILLUSTRATED PARTS CATALOG

A25189



24142018

OVERHEAD VENTILATION SYSTEM WITHOUT AIR CONDITIONING  
FIGURE 01 (SHEET 2)

CESSNA®  
**MODEL 208**  
 ILLUSTRATED PARTS CATALOG

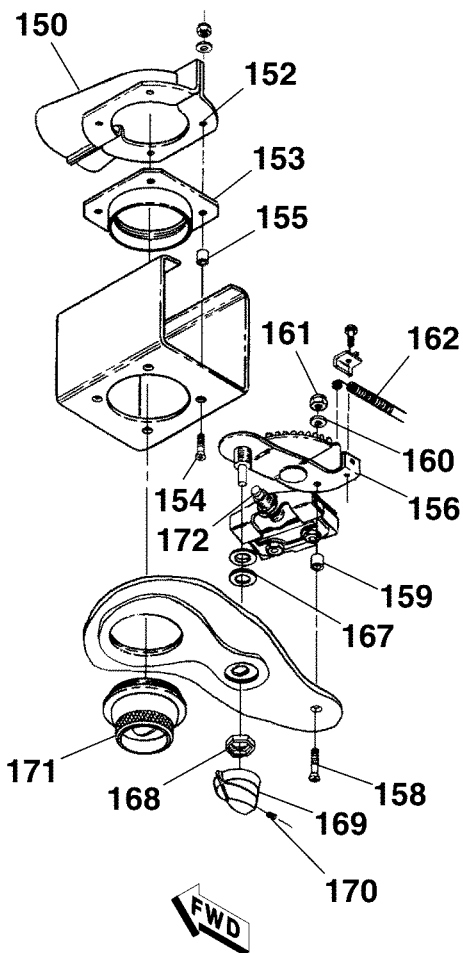
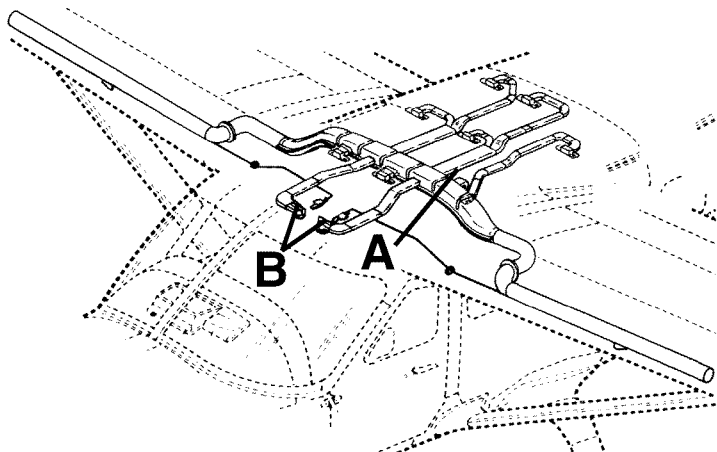
FIG ITEM	PART NUMBER	NOMENCLATURE	UNITS
			PER ASSY
		1 2 3 4 5 6 7	
01			
75	2610020-56	. ELBOW ASSY . . . . .	03
76	2611165-33	. DUCT . . . . .	01
- 77	2610020-61	. ELBOW ASSY . . . . .	01
78	2611165-34	. DUCT . . . . .	01
79	2610020-51	. ELBOW ASSY . . . . .	01
80	S2514-1	. DUCT BKI 15.00 IN LG . . . . .	01
81	2611165-36	. DUCT . . . . .	01
82	2610020-1	. ELBOW ASSY . . . . .	02
83	S2514-1	. DUCT BKI 13.50 IN LG . . . . .	01
84	S2514-3	. SLEEVE . . . . .	01
85	S2514-1	. DUCT ASSY BKI 8.50 IN LG . . . . .	01
86	S2514-1	. DUCT BKI 10.75 IN LG . . . . .	01
87	2611165-35	. DUCT . . . . .	01
88	2610020-35	. ELBOW ASSY . . . . .	02
89	S2514-1	. DUCT BKI 5.56 IN LG . . . . .	01
90	S2514-1	. DUCT BKI 1.65 IN LG . . . . .	01
91	2610020-11	. TRANSITION ASSY . . . . .	02
92	2610020-6	. COUPLING ASSY . . . . .	01
93	S2514-2	. DUCT BKI 19.00 IN LG ALT FOR 600-400000-02 REFER TO NOTE 1 . . . . .	02
- 93A	600-400000-02	. DUCT REFER TO NOTE 1 . . . . .	02
94	S2514-1	. DUCT BKI 13.50 IN LG . . . . .	01
95	2610020-51	. ELBOW ASSY . . . . .	02
96	S2514-1	. DUCT ASSY BKI 5.50 IN LG . . . . .	01
97	S2514-1	. DUCT ASSY BKI 4.75 IN LG . . . . .	01
98	2610020-77	. PLENUM ASSY . . . . .	05
99	2610020-95	. PLENUM ASSY . . . . .	02
100	2610020-96	. PLENUM ASSY . . . . .	01
- 101	2610020-100	. . BRACKET USED ON 2610020-95 ONLY . . . . .	01
- 102	2610020-101	. . BRACKET USED ON 2610020-95 ONLY . . . . .	01
- 103	2610020-99	. . BRACKET USED ON 2610020-96 ONLY . . . . .	02

NOTE 1—PERMISSIBLE TO USE 600-400000-02 IN LIEU OF S2514-2, CUT TO LENGTH.

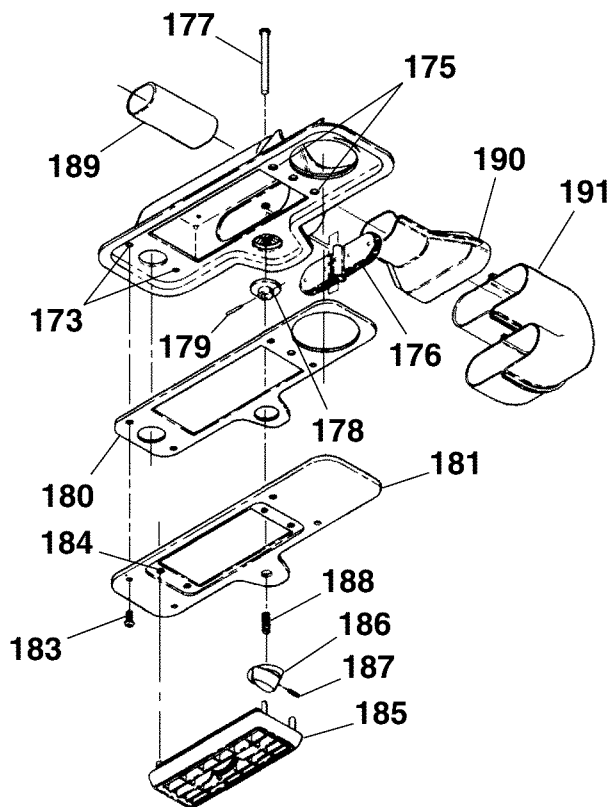


CESSNA®  
**MODEL 208**  
 ILLUSTRATED PARTS CATALOG

A25190



**DETAIL B**



**DETAIL A**

OVERHEAD VENTILATION SYSTEM WITHOUT AIR CONDITIONING  
 FIGURE 01 (SHEET 3)

26142018  
 A26143011  
 B26142005

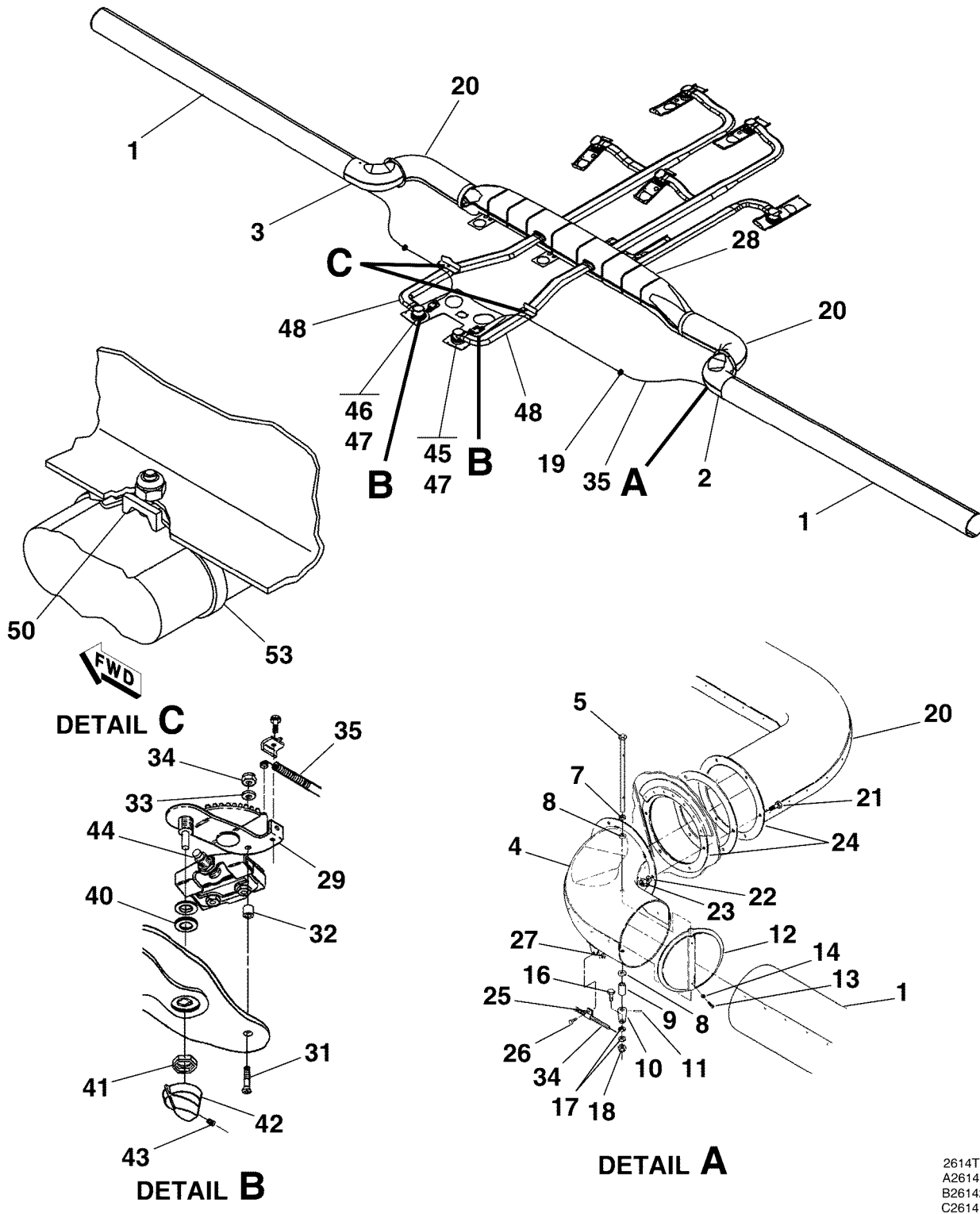
**CESSNA®**  
**MODEL 208**  
**ILLUSTRATED PARTS CATALOG**

FIG ITEM	PART NUMBER	NOMENCLATURE	UNITS PER ASSY		
			1	2	3
01					
150	2610020-32	. RETAINER ASSY . . . . .	0001	0173	02
- 151	2610020-118	. RETAINER ASSY . . . . .	0174	0207	02
152	MS21069L04	. . NUTPLATE . . . . .			04
153	2392	. COLLAR-RETAINER . . . . .	V83564		02
154	MS24693-S7	. SCREW . . . . .			04
155	NAS43DD0-12N	. SPACER . . . . .			04
- 155A	NAS43DD0-12FC	. SPACER ALT FOR NAS43DD0-12N . . . . .			04
156	360-032-561	. CONVERTER ASSY-VENT LH . . . . .	V70436		01
- 157	361-032-525	. CONVERTER ASSY-VENT RH . . . . .	V70436		01
		ATTACHING PARTS			
158	MS24693-S273	. SCREW . . . . .			01
159	NAS43DD3-10N	. SPACER . . . . .			01
- 159A	NAS43DD3-10FC	. SPACER ALT FOR NAS43DD3-10N . . . . .			04
160	NAS1149F0332P	. WASHER . . . . .			01
161	MS20364-1032C	. NUT . . . . .			01
		—*—			
162	S1398-2	. . CASING-CONTROL BKI 63.25 IN LG . . . . .			01
- 163	S1398-1	. . WIRE-CONTROL BKI 66.00 IN LG . . . . .			01
- 164	2613367-3	. ANGLE-LH . . . . .			01
- 165	2613367-4	. ANGLE-RH . . . . .			01
- 166	S1399-1	. SPIRAL WRAP BKI 50.00 IN LG . . . . .	0155	0207	01
167	NAS1149F0732P	. WASHER . . . . .			02
168	NT385	. NUT-PAL . . . . .			01
169	S1587-7	. KNOB . . . . .			01
170	AN565D8H5	. SETSCREW . . . . .			01
171	2394	. VALVE ASSY-WEMAC . . . . .	V83564		02
172		. VENTILATION FAN INSTALLATION REFER TO 21-21-01 FIGURE 03 . . . . .			RF
173	NAS697A08	. . NUTPLATE . . . . .			02
- 174	2610020-19	. BRACKET ASSY . . . . .			01
175	NAS696A08	. NUTPLATE . . . . .			02
176	2610020-75	. BUTTERFLY ASSY . . . . .			01
177	2610020-102	. SHAFT . . . . .			01
178	2610020-9	. KNOB- INDEX . . . . .			08
		ATTACHING PARTS			
179	NAS561-3-8	. PIN . . . . .			08
		—*—			
180	2610020-8	. PLATE . . . . .			08
181	2610020-74	. COVER ASSY . . . . .			08
- 182		. COVER USED WITH READING LIGHTS REFER TO 33-20-00 FIGURE 02 . . . . .			RF
		ATTACHING PARTS			
183	MS25206-247	. SCREW . . . . .			04
		—*—			
184	C2437-035-4	. . CLIP . . . . .	VCPRI		04
- 184A	C2437-035-3B	. . CLIP ALT FOR C2437-035-4 . . . . .	VCPRI		04
185	2610020-82	. LOUVER ASSY . . . . .			08
186	S1587-1	. KNOB ASSY . . . . .			08
187	AN565D8H5	. SETSCREW . . . . .			08
188	0710015-13	. SPRING . . . . .			08
189	S2514-1	. DUCT ASSY 2.50 IN LG BKI . . . . .			01
190	2610020-59	. TRANSITION ASSY . . . . .			01
191	2610020-44	. COUPLING ASSY . . . . .			01

- ITEM NOT ILLUSTRATED

CESSNA®  
**MODEL 208**  
 ILLUSTRATED PARTS CATALOG

A25191



OVERHEAD VENTILATION SYSTEM WITHOUT AIR CONDITIONING  
 FIGURE 02 (SHEET 1)

2614T1161  
 A26143006  
 B26142005  
 C26141153

**CESSNA®**  
**MODEL 208**  
**ILLUSTRATED PARTS CATALOG**

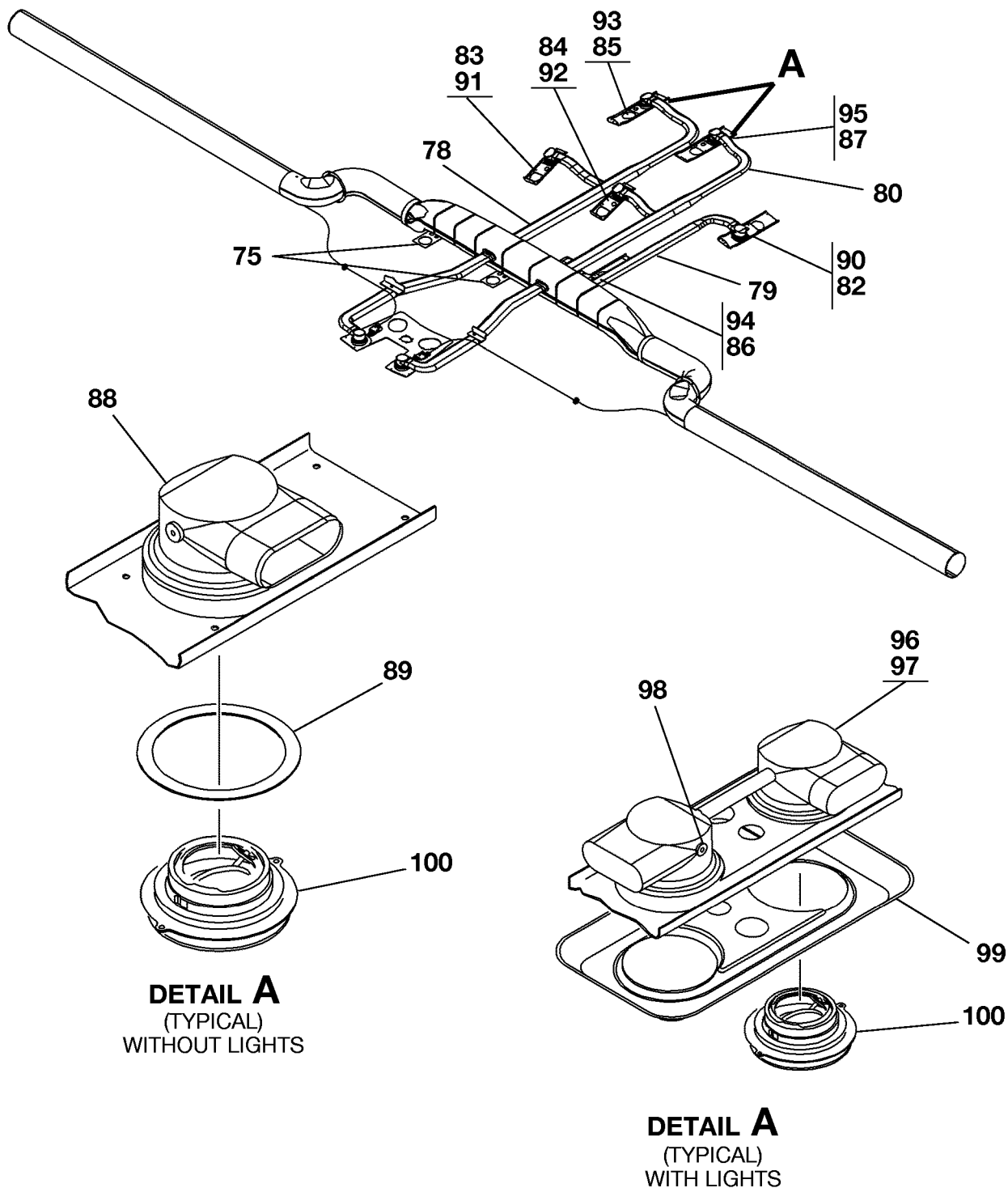
FIG ITEM	PART NUMBER	NOMENCLATURE	UNITS PER ASSY		
			1	2	3
02		OVERHEAD VENTILATION SYSTEM WITHOUT AIR CONDITIONING REFER TO	0208	& ON	RF
-		NOTE 1			
1	2611165-23	. DUCT ASSY . . . . .			02
2	2611165-41	. VALVE ASSY-LH WING VENT FSO 2611165-45 . . . . .	0208	0220	NP
- 2A	2611165-45	. VALVE ASSY-LH WING VENT . . . . .	0221	& ON	01
3	2611165-42	. VALVE ASSY-RH WING VENT FSO 2611165-46 . . . . .	0208	0220	NP
- 3A	2611165-46	. VALVE ASSY-RH WING VENT . . . . .	0221	& ON	01
4	2611165-43	. ELBOW ASSY . . . . .			01
5	2611165-18	. SHAFT ASSY-LH VALVE . . . . .			01
- 6	2611165-26	. SHAFT ASSY-RH VALVE . . . . .			01
7	S1438-17	. WASHER . . . . .			01
8	NAS1149F0463P	. WASHER . . . . .			02
9	NAS43HT4-38	. SPACER . . . . .			01
10	2611165-15	. ARM ASSY . . . . .	0208	0220	01
- 10A	2611227-1	. ARM . . . . .	0221	& ON	01
		ATTACHING PARTS			
11	MS16562-16	. PIN . . . . .			01
		—*—			
12	2611165-20	. BUTTERFLY ASSY . . . . .			01
		ATTACHING PARTS			
13	MS35206-231	. SCREW . . . . .			02
14	NAS1149FN632P	. WASHER . . . . .			02
		—*—			
- 15	MS21069L06K	. . . . . NUTPLATE . . . . .			02
16	S2323-5	. CLAMP . . . . .			01
17	NAS1149F0332P	. WASHER . . . . .			02
18	MS21042L3	. NUT . . . . .			01
19	MS35489-134	. GROMMET . . . . .			02
20	2611165-40	. ELBOW ASSY . . . . .	0208	0352	02
		ATTACHING PARTS			
21	AN3-5A	. BOLT . . . . .	0208	0403	04
- 21A	AN3-5A	. BOLT . . . . .	0404	& ON	06
22	NAS1149F0332P	. WASHER . . . . .	0208	0403	04
- 22A	NAS1149F0332P	. WASHER . . . . .	0404	& ON	06
23	MS21044N3	. NUT . . . . .	0208	0403	04
- 23A	MS21044N3	. NUT . . . . .	0404	& ON	04
24	2611165-2	. SHIM . . . . .			02
		—*—			
25	S2226-1	. CLAMP . . . . .			02
26	AN3-3A	. BOLT . . . . .			02
27	MS21044N3	. NUT . . . . .			02
28	2611105-35	. PLENUM ASSY . . . . .			01
29	360-032-561	. CONVERTER ASSY-LH VENT . . . . .		V70436	01
- 30	361-032-525	. CONVERTER ASSY-RH VENT . . . . .		V70436	01
31	MS24693-S273	. SCREW . . . . .			01
32	NAS43DD3-10N	. SPACER . . . . .			01
- 32A	NAS43DD3-10FC	. SPACER ALT FOR NAS43DD3-10N . . . . .			01
33	NAS1149F0332P	. WASHER . . . . .			01
34	MS21042-3	. NUT . . . . .			01
35	S1398-2	. CASING-CONTROL BKI 63.25 IN LG . . . . .			01
- 36	S1398-1	. WIRE-CONTROL BKI 66.00 IN LG . . . . .			01
- 37	2613367-3	. ANGLE-LH . . . . .			01
- 38	2613367-4	. ANGLE-RH . . . . .			01
- 39	S1399-1	. SPIRAL WRAP BKI 50.00 IN LG . . . . .			01
40	NAS1149F0732P	. WASHER . . . . .			02
41	NT385	. NUT-PAL . . . . .			01
42	S1587-7	. KNOB ASSY . . . . .			01
43	AN565D8H5	. SETSCREW . . . . .			01
44		. VENTILATION FAN INSTALLATION REFER TO 21-21-04 FIGURE 01 . . . . .			RF
45	2615124-13	. OUTLET ASSY-LH FSO 2615124-69 . . . . .	0208	0223	NP
- 45A	2615124-69	. OUTLET ASSY-LH FOR SPARES ONLY . . . . .			01
46	2615124-14	. OUTLET ASSY-RH FSO 2615124-70 . . . . .	0208	0223	NP
- 46A	2615124-70	. OUTLET ASSY-RH FOR SPARES ONLY . . . . .			01
47	3060	. OUTLET-AIR . . . . .		V83564	02
- 47A	AV467401	. OUTLET-AIR VALVE DISC TYP 1.5 ID ALT FOR 3060 . . . . .			02
48	9910588-11	. DUCT-PILOT/COPILOT . . . . .			02
- 49	MS3367-2-9	. STRAP . . . . .			02
50	S1742-1	. STA-STRAP . . . . .			02
		ATTACHING PARTS			
- 51	MS35206-245	. SCREW . . . . .			01
- 52	MS21044N08	. NUT . . . . .			01
		—*—			
53	MS3367-2-9	. STRAP . . . . .			02

NOTE 1—AND AIRPLANES -0007 THRU -0112 CONVERTED FROM 208A

- ITEM NOT ILLUSTRATED

CESSNA®  
**MODEL 208**  
 ILLUSTRATED PARTS CATALOG

A25192



OVERHEAD VENTILATION SYSTEM WITHOUT AIR CONDITIONING  
 FIGURE 02 (SHEET 2)

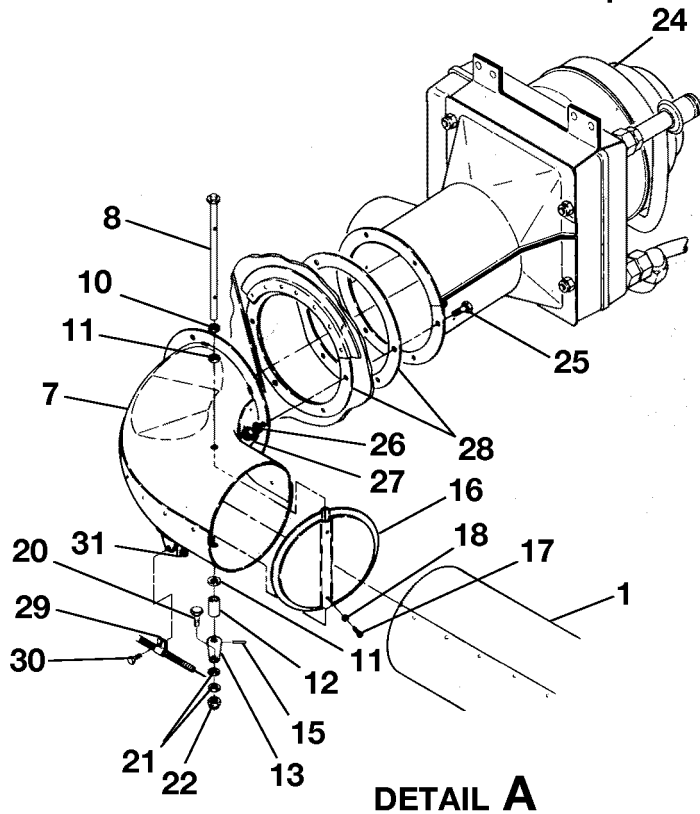
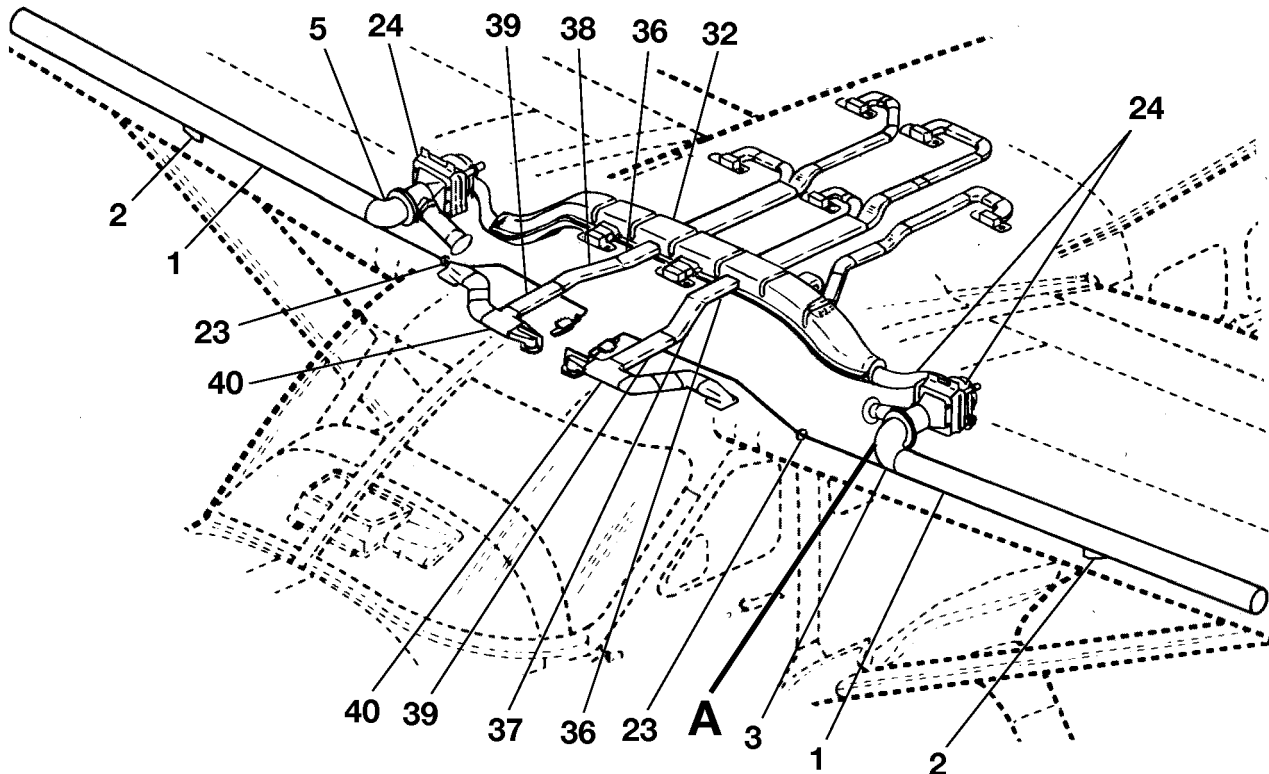
2614T1161  
 A2614T1158  
 A2614T1162

**CESSNA®**  
**MODEL 208**  
**ILLUSTRATED PARTS CATALOG**

FIG ITEM	PART NUMBER	NOMENCLATURE	UNITS	
			PER	ASSY
02				
75	2515	. . . . . OUTLET-AIR . . . . .	V83564	02
- 75A	AV267403	. . . . . OUTLET-AIR ALT FOR 2515 . . . . .		02
- 75B	2615124-36	. . . . . OUTLET ASSY-AIR . . . . .		02
- 76	2615124-54	. . . . . RING-AIR . . . . .	0208 0380	02
- 77	2615132-1	. . . . . ESCUTCHEON USED WITH READING LIGHTS . . . . .		02
78	9910588-12	. . . . . DUCT-RH AFT . . . . .		01
79	9910588-13	. . . . . DUCT-LH AFT . . . . .		01
80	9910588-14	. . . . . DUCT-CTR AFT . . . . .		01
		. . . . . ATTACHING PARTS		
- 81	MS3367-2-9	. . . . . STRAP . . . . .		AR
		. . . . . *		
82	2615124-45	. . . . . OUTLET ASSY-FSO 2615124-92 . . . . .	0208 0380	NP
- 82A	2615124-92	. . . . . OUTLET ASSY-FOR SPARES ONLY . . . . .		01
- 82B	2615124-99	. . . . . OUTLET ASSY . . . . .	0381 & ON	01
83	2615124-46	. . . . . OUTLET ASSY-OUTBD FSO 2615124-93 . . . . .	0208 0380	NP
- 83A	2615124-93	. . . . . OUTLET ASSY-OUTBD FOR SPARES ONLY . . . . .		01
- 83B	2615124-89	. . . . . OUTLET ASSY-OUTBD . . . . .	0381 & ON	01
84	2615124-47	. . . . . OUTLET ASSY-INBD FSO 2615124-94 . . . . .	0208 0380	NP
- 84A	2615124-94	. . . . . OUTLET ASSY-INBD FOR SPARES ONLY . . . . .		01
- 84B	2615124-90	. . . . . OUTLET ASSY-INBD . . . . .	0381 & ON	01
85	2615124-48	. . . . . OUTLET ASSY-OUTBD FSO 2615124-95 . . . . .	0208 0380	NP
- 85A	2615124-95	. . . . . OUTLET ASSY-OUTBD FOR SPARES ONLY . . . . .		01
- 85B	2615124-98	. . . . . OUTLET ASSY-OUTBD . . . . .	0381 & ON	01
86	2615124-50	. . . . . OUTLET ASSY-FSO 2615124-96 . . . . .	0208 0380	NP
- 86A	2615124-96	. . . . . OUTLET ASSY-FOR SPARES ONLY . . . . .		01
- 86B	2615124-100	. . . . . OUTLET ASSY . . . . .	0381 & ON	01
87	2615124-48	. . . . . OUTLET ASSY-INBD FSO 2615124-95 . . . . .	0208 0217	NP
- 87A	2615124-95	. . . . . OUTLET ASSY-INBD FOR SPARES ONLY . . . . .		01
- 87B	2615124-67	. . . . . OUTLET ASSY-INBD FSO 2615124-108 . . . . .	0218 0380	NP
- 87C	2615124-108	. . . . . OUTLET ASSY-INBD FOR SPARES ONLY . . . . .		01
- 87D	2615124-107	. . . . . OUTLET ASSY-INBD . . . . .	0381 & ON	01
88	X7244	. . . . . OUTLET FSO X7244-1 . . . . .	VK2962 0208	0380 01 R
- 88A	X7244-1	. . . . . OUTLET ASSY FOR SPARES ONLY . . . . .	VK2962	01 R
- 88B	X7194-3	. . . . . OUTLET ASSY . . . . .	VK2962 0381 & ON	01
89	2615124-54	. . . . . RING-AIR . . . . .	0208 0380	06
90	2615124-55	. . . . . OUTLET ASSY USED WITH LIGHTS . . . . .		01
91	2615124-34	. . . . . OUTLET ASSY USED WITH LIGHTS . . . . .		01
92	2615124-35	. . . . . OUTLET ASSY USED WITH LIGHTS . . . . .		01
93	2615124-52	. . . . . OUTLET ASSY USED WITH LIGHTS . . . . .		01
94	2615124-56	. . . . . OUTLET ASSY USED WITH LIGHTS . . . . .		01
95	2615124-66	. . . . . OUTLET ASSY USED WITH LIGHTS . . . . .		01
96	X7194	. . . . . OUTLET . . . . .	VK2962	01
97	2615124-11	. . . . . OUTLET USED WITH 2615124-56 ONLY . . . . .		01
98	MS35489-1	. . . . . GROMMET . . . . .		01
99	2615132-1	. . . . . ESCUTCHEON USED WITH READING LIGHTS . . . . .		06
100	2515	. . . . . OUTLET-AIR . . . . .	V83564	06
- 101	AV267403	. . . . . OUTLET-AIR ALT FOR 2515 . . . . .		06

CESSNA®  
**MODEL 208**  
 ILLUSTRATED PARTS CATALOG

A25193



**DETAIL A**

OVERHEAD VENTILATION SYSTEM WITH AIR CONDITIONING  
 FIGURE 03 (SHEET 1)

26142031  
 A26143019

**CESSNA®**  
**MODEL 208**  
**ILLUSTRATED PARTS CATALOG**

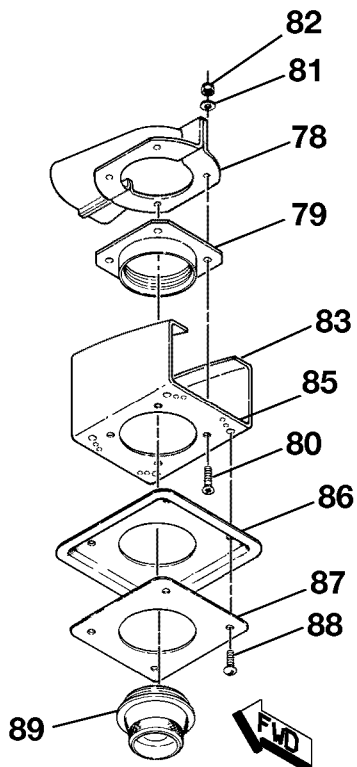
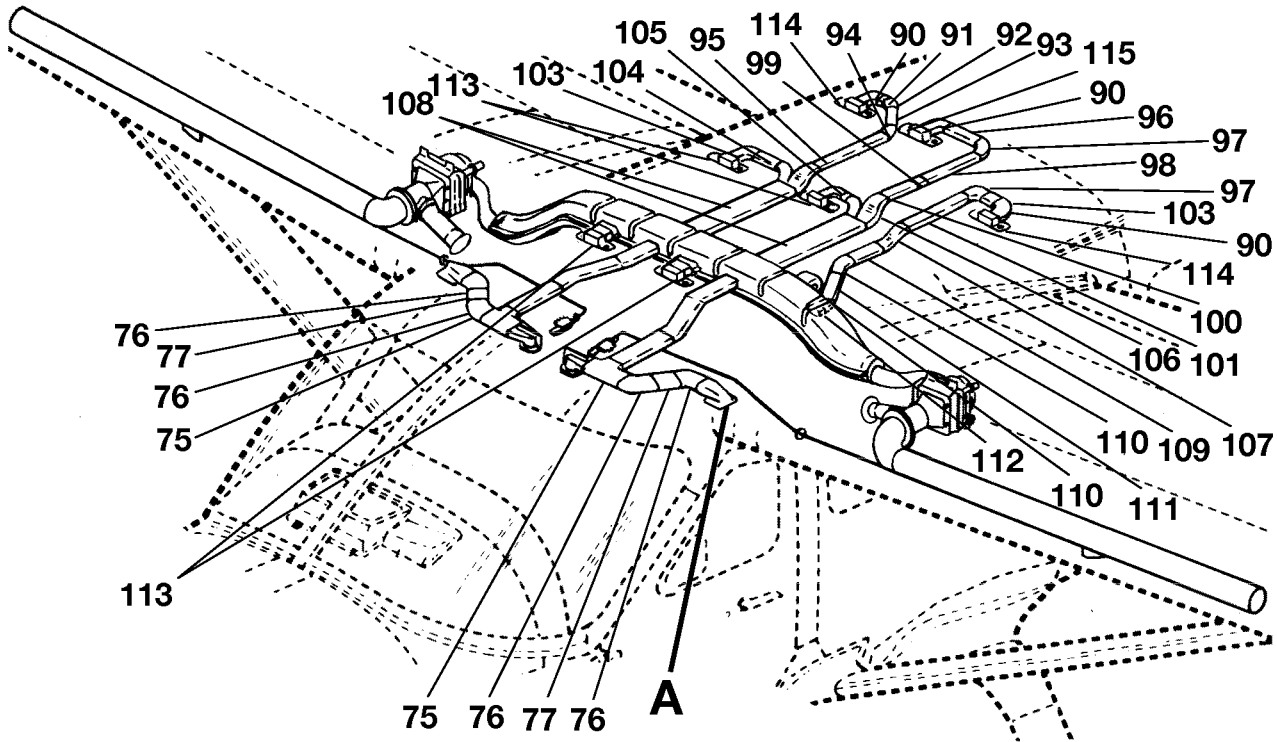
FIG ITEM	PART NUMBER	NOMENCLATURE	UNITS		
			PER	ASSY	
		1 2 3 4 5 6 7			
03		OVERHEAD VENTILATION SYSTEM WITH AIR CONDITIONING	0140	0207	RF
-		. DUCT ASSY . . . . .			02
1	2611165-23	. BRACKET-VENTILATION DUCT REFER TO 57-40-00 FIGURE 01 . . . . .			RF
2		. VALVE ASSY-LJHWING VENT FSO 2611165-45 . . . . .			NP
3	2611165-41	. VALVE ASSY-LH WING VENT . . . . .			01
- 4	2611165-45	. VALVE ASSY-RH WING VENT FSO 2611165-46 . . . . .			NP
5	2611165-42	. VALVE ASSY-RH WING VENT . . . . .			01
- 6	2611165-46	. ELBOW ASSY . . . . .			01
7	2611165-43	. SHAFT ASSY-LH VALVE . . . . .			01
8	2611165-18	. SHAFT ASSY-RH VALVE . . . . .			01
- 9	2611165-26	. WASHER . . . . .			01
10	S1438-17	. WASHER . . . . .			01
11	NAS1149F0463P	. SPACER . . . . .			01
12	NAS43HT4-38	. ARM ASSY FSO 2611227-1 . . . . .			NP
13	2611165-15	. ARM ASSY . . . . .			01
- 14	2611227-1	ATTACHING PARTS			
	15	. PIN . . . . .			01
		—*—			
	16	. BUTTERFLY ASSY . . . . .			01
		ATTACHING PARTS			
	17	. SCREW . . . . .			02
	18	. WASHER . . . . .			02
		—*—			
- 19	MS21069L06K	. . . . . NUTPLATE . . . . .			02
20	S2323-5	. CLAMP . . . . .			01
21	NAS1149F0332P	. WASHER . . . . .			02
22	MS21042L3	. NUT . . . . .			01
23	MS35489-134	. GROMMET . . . . .			02
24		. EVAPORATOR INSTALLATION REFER TO 21-51-03 FIGURE 01 . . . . .			RF
25	AN3-5A	. BOLT . . . . .			08
26	NAS1149F0332P	. WASHER . . . . .			08
27	MS21044N3	. NUT . . . . .			08
28	2611165-2	. SHIM . . . . .			04
29	S2226-1	. CLAMP . . . . .			01
		ATTACHING PARTS			
	30	. BOLT . . . . .			01
	31	. NUT . . . . .			01
		—*—			
	32	. PLENUM ASSY FSO 2611105-203 . . . . .			NP
		ATTACHING PARTS			
- 33	AN3-35A	. BOLT . . . . .			04
- 34	NAS1149F0363P	. WASHER . . . . .			04
- 35	NAS43DD3-196N	. SPACER . . . . .			04
- 35A	NAS43DD3-196FC	. SPACER ALT FOR NAS43DD3-196N . . . . .			04
		—*—			
36	S2514-2	. DUCT BKI 9.88 IN LG ALT FOR 600-400000-02 REFER TO NOTE 1 . . . . .			02
- 36A	600-400000-02	. DUCT REFER TO NOTE 1 . . . . .			02
37	2610020-107	. COUPLING ASSY-LH . . . . .			01
38	2610020-108	. COUPLING ASSY-RH . . . . .			01
39	S2514-2	. DUCT BKI 10.75 IN LG ALT FOR 600-400000-02 REFER TO NOTE 1 . . . . .			02
- 39A	600-400000-02	. DUCT REFER TO NOTE 1 . . . . .			02
40	2610020-115	. TEE ASSY . . . . .			02

NOTE 1—PERMISSIBLE TO USE 600-400000-02 IN LIEU OF S2514-2, CUT TO LENGTH.



CESSNA®  
**MODEL 208**  
 ILLUSTRATED PARTS CATALOG

A25194



**DETAIL A**

OVERHEAD VENTILATION SYSTEM WITH AIR CONDITIONING  
 FIGURE 03 (SHEET 2)

26142031  
 A26142030

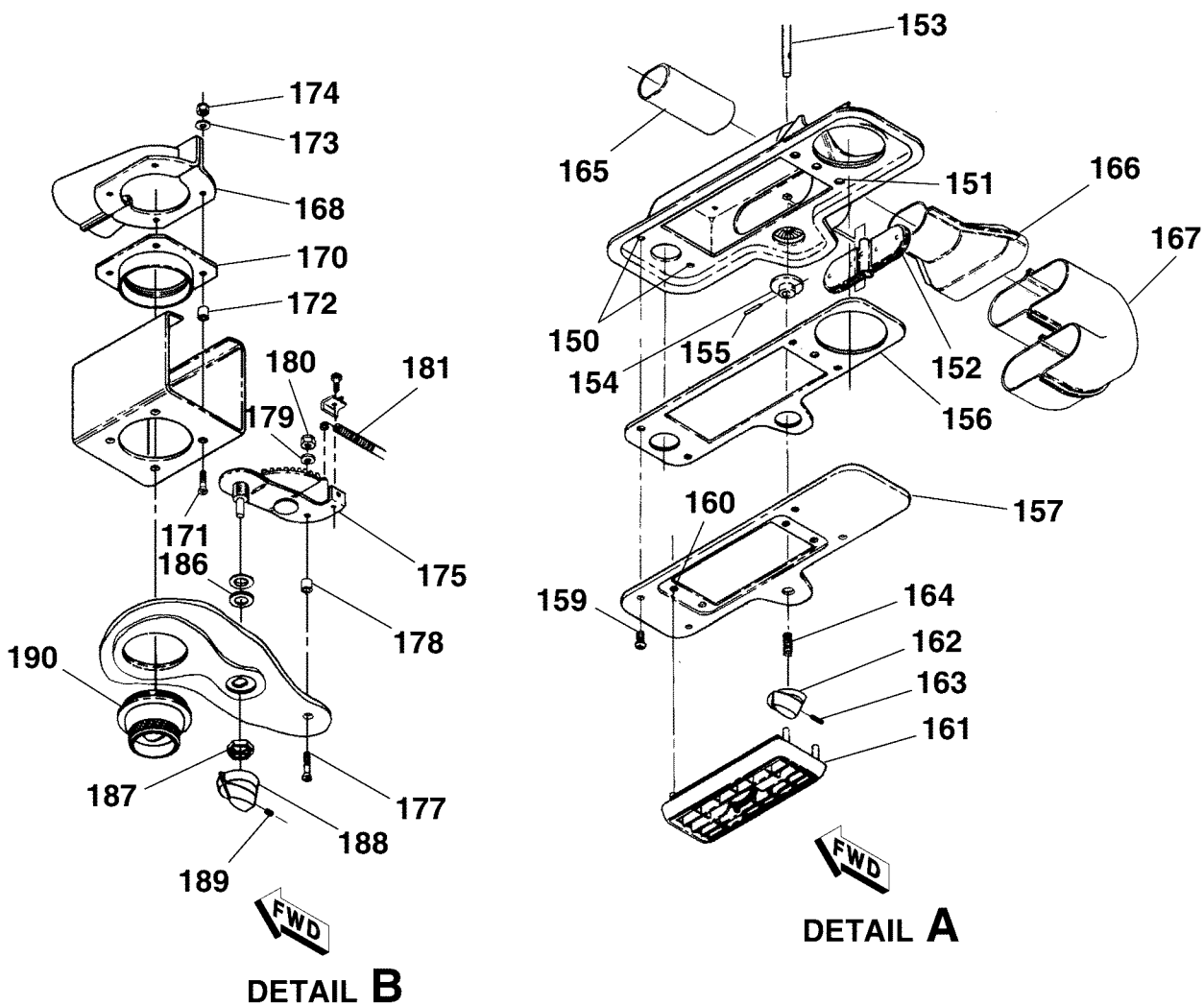
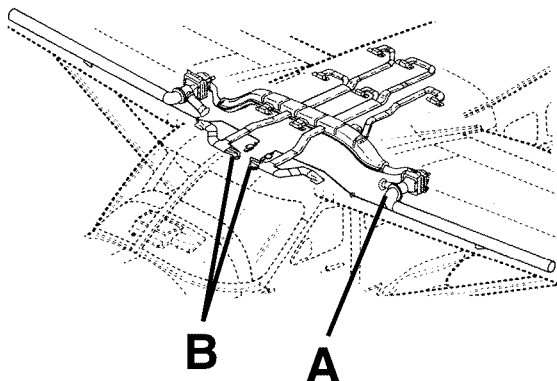
**CESSNA®**  
**MODEL 208**  
**ILLUSTRATED PARTS CATALOG**

FIG ITEM	PART NUMBER	NOMENCLATURE	UNITS
			PER ASSY
		1 2 3 4 5 6 7	
03			
75	S2514-1	. DUCT BKI 2.82 IN LG . . . . .	02
76	2610020-112	. ELBOW ASSY . . . . .	04
77	S2514-1	. DUCT BKI 5.24 IN LG . . . . .	02
78	2610020-32	. RETAINER ASSY . . . . .	02
79	2392	. COLLAR-RETAINER . . . . . V83564	02
		ATTACHING PARTS	
80	MS24693-S4	. SCREW . . . . .	04
81	AN935-4	. WASHER . . . . .	04
82	AN340-4	. NUT . . . . .	04
		—*—	
83	2613405-1	. BRACKET ASSY-LH . . . . .	01
- 84	2613405-2	. BRACKET ASSY-RH . . . . .	01
85	NAS696A08	. . NUTPLATES . . . . .	04
86	2613406-1	. TRIM-VENT . . . . .	02
87	2613406-3	. COVER-VENT . . . . .	02
		ATTACHING PARTS	
88	MS35206-247	. SCREW . . . . .	04
		—*—	
89	2394	. VALVE ASSY-WEMAC . . . . . V83564	02
90	2610020-56	. ELBOW ASSY . . . . .	03
91	2611165-33	. DUCT . . . . .	01
92	2610020-61	. ELBOW ASSY . . . . .	01
93	2611165-34	. DUCT . . . . .	01
94	2610020-51	. ELBOW ASSY . . . . .	01
95	S2514-1	. DUCT BKI 15.00 IN LG . . . . .	01
96	2611165-36	. DUCT . . . . .	01
97	2610020-16	. ELBOW ASSY . . . . .	02
98	S2514-1	. DUCT BKI 13.50 IN LG . . . . .	01
99	S2514-3	. SLEEVE . . . . .	01
100	S2514-1	. DUCT BKI 8.50 IN LG . . . . .	01
101	S2514-1	. DUCT BKI 15.00 IN LG . . . . .	01
- 102	2611165-35	. DUCT . . . . .	01
103	2610020-35	. ELBOW ASSY . . . . .	02
104	S2514-1	. DUCT BKI 5.56 IN LG . . . . .	01
105	S2514-1	. DUCT BKI 1.65 IN LG . . . . .	01
106	2610020-11	. TRANSITION ASSY . . . . .	02
107	2610020-6	. COUPLING ASSY . . . . .	01
108	S2514-2	. DUCT BKI 19.00 IN LG ALT FOR 600-400000-02 REFER TO NOTE 1 . . . . .	02
- 108A	600-400000-02	. DUCT REFER TO NOTE 1 . . . . .	02
109	S2514-1	. DUCT BKI 4.75 IN LG . . . . .	01
110	2610020-51	. ELBOW ASSY . . . . .	02
111	S2514-1	. DUCT BKI 5.50 IN LG . . . . .	01
112	S2514-1	. DUCT BKI 2.50 IN LG . . . . .	01
113	2610020-77	. PLENUM ASSY . . . . .	05
114	2610020-95	. PLENUM & BRACKET ASSY . . . . .	02
115	2610020-96	. PLENUM & BRACKET ASSY . . . . .	01
- 116	2610020-100	. . BRACKET USED ON 2610020-95 ONLY . . . . .	01
- 117	2610020-101	. . BRACKET USED ON 2610020-95 ONLY . . . . .	01
- 118	2610020-99	. . BRACKET USED ON 2610020-96 ONLY . . . . .	02

NOTE 1—PERMISSIBLE TO USE 600-400000-02 IN LIEU OF S2514-2, CUT TO LENGTH.

CESSNA®  
**MODEL 208**  
 ILLUSTRATED PARTS CATALOG

A25195



OVERHEAD VENTILATION SYSTEM WITH AIR CONDITIONING  
 FIGURE 03 (SHEET 3)

26142031  
 A26143011  
 B26142006

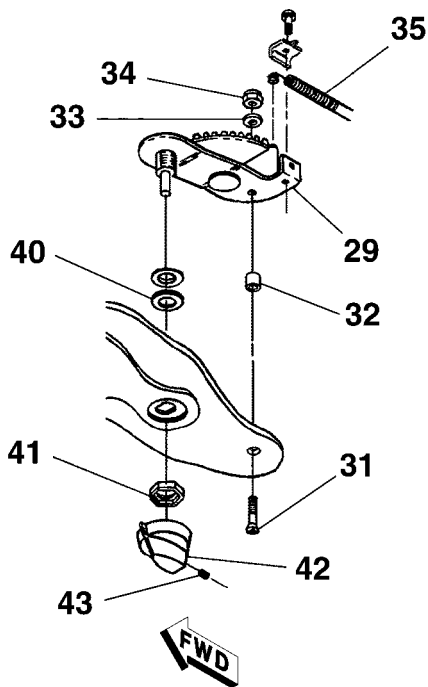
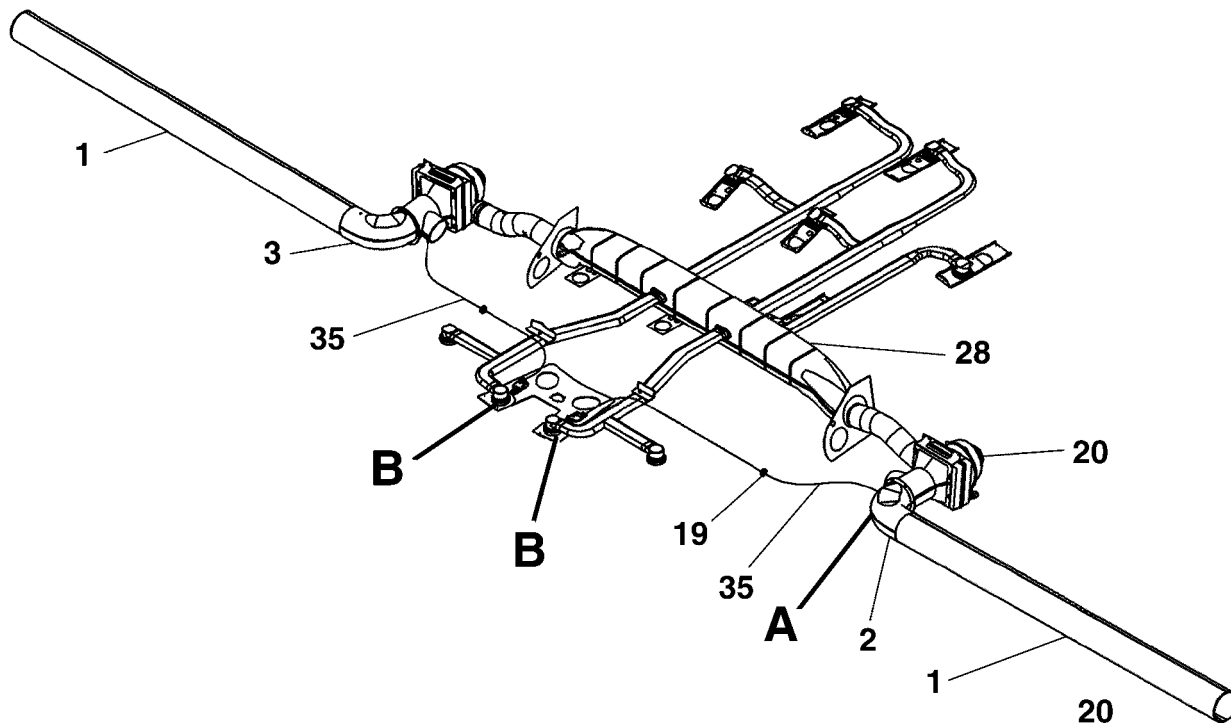
**CESSNA®**  
**MODEL 208**  
**ILLUSTRATED PARTS CATALOG**

FIG ITEM	PART NUMBER	NOMENCLATURE	UNITS	
			PER	ASSY
03				
150	NAS697A08	. . . NUTPLATE . . . . .		02
151	NAS696A08	. . . NUTPLATE . . . . .		02
152	2610020-75	. . . BUTTERFLY ASSY . . . . .		01
153	2610022-102	. . . SHAFT . . . . .		01
154	2610020-9	. . . INDEX . . . . .		01
		. . . ATTACHING PARTS		
155	NAS561-3-8	. . . PIN . . . . .		01
		. . . *		
156	2610020-8	. . . PLATE . . . . .		08
157	2610020-74	. . . COVER ASSY . . . . .		08
- 158		. . . COVER USED WITH READING LIGHTS REFER TO 33-20-00 FIGURE 02 . . . . .		RF
		. . . ATTACHING PARTS		
159	MS35206-247	. . . SCREW . . . . .		04
		. . . *		
160	C2437-035-4	. . . CLIP . . . . . VCPRI		04
- 160A	C2437-035-3B	. . . CLIP ALT FOR C2437-035-4 . . . . . VCPRI		04
161	2610020-82	. . . LOUVER ASSY . . . . .		08
162	S1587-1	. . . KNOB ASSY . . . . .		08
163	MS18065-30	. . . SET SCREW . . . . .		08
164	0710015-13	. . . SPRING . . . . .		08
165	S2514-1	. . . DUCT BKI 2.50 IN LG . . . . .		01
166	2610020-59	. . . TRANSITION ASSY . . . . .		01
167	2610020-44	. . . COUPLING ASSY . . . . .		01
168	2610020-32	. . . RETAINER ASSY . . . . .	0140 0173	02
- 169	2610020-118	. . . RETAINER ASSY . . . . .	0174 0207	02
170	2392	. . . COLLAR-RETAINER . . . . . V83564		02
		. . . ATTACHING PARTS		
171	MS24693-S7	. . . SCREW . . . . .		04
172	NAS43DD0-12N	. . . SPACER . . . . .		04
- 172A	NAS43DD0-12FC	. . . SPACER ALT FOR NAS43DD0-12N . . . . .		04
173	MS35338-40	. . . WASHER . . . . .		04
174	AN340-4	. . . NUT . . . . .		04
		. . . *		
175	360-032-561	. . . CONVERTER ASSY-LH VENT . . . . . V70436		01
- 176	361-032-525	. . . CONVERTER ASSY-RH VENT . . . . . V70436		01
		. . . ATTACHING PARTS		
177	MS24693-S273	. . . SCREW . . . . .		01
178	NAS43DD3-10N	. . . SPACER . . . . .		01
- 178A	NAS43DD3-10FC	. . . SPACER ALT FOR NAS43DD3-10N . . . . .		01
179	NAS1149F0332P	. . . WASHER . . . . .		01
180	MS20364-1032C	. . . NUT . . . . .		01
		. . . *		
181	S1398-2	. . . CASING-CONTROL BKI 63.25 IN LG . . . . .		01
- 182	S1398-1	. . . WIRE-CONTROL BKI 66.00 IN LG . . . . .		01
- 183	2613367-3	. . . ANGLE-LH . . . . .		01
- 184	2613367-4	. . . ANGLE-RH . . . . .		01
- 185	S1399-1	. . . SPIRAL WRAP BKI 50.00 IN LG . . . . .	0155 0207	01
186	NAS1149F0732P	. . . WASHER . . . . .		02
187	NT385	. . . NUT-PAL . . . . .		01 R
188	S1587-7	. . . KNOB . . . . .		01
189	AN565D8H5	. . . SETSCREW . . . . .		01 R
190	2394	. . . VALVE ASSY WEMAC . . . . . V83564		02

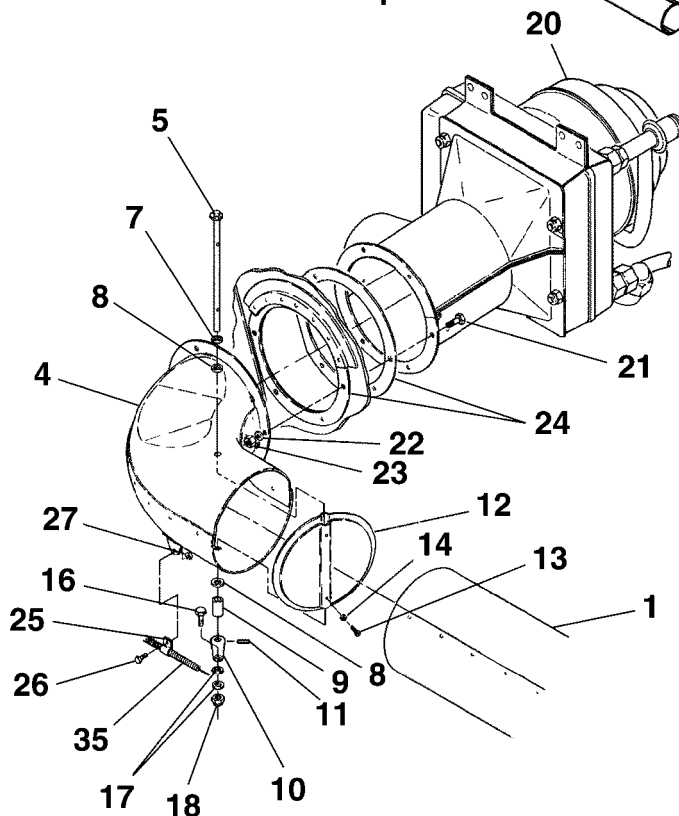
- ITEM NOT ILLUSTRATED

CESSNA®  
**MODEL 208**  
 ILLUSTRATED PARTS CATALOG

A25196



**DETAIL B**



**DETAIL A**

OVERHEAD VENTILATION SYSTEM WITH AIR CONDITIONING  
 FIGURE 04 (SHEET 1)

2614T1163  
 A26143019  
 B26142006  
 C2614T1156

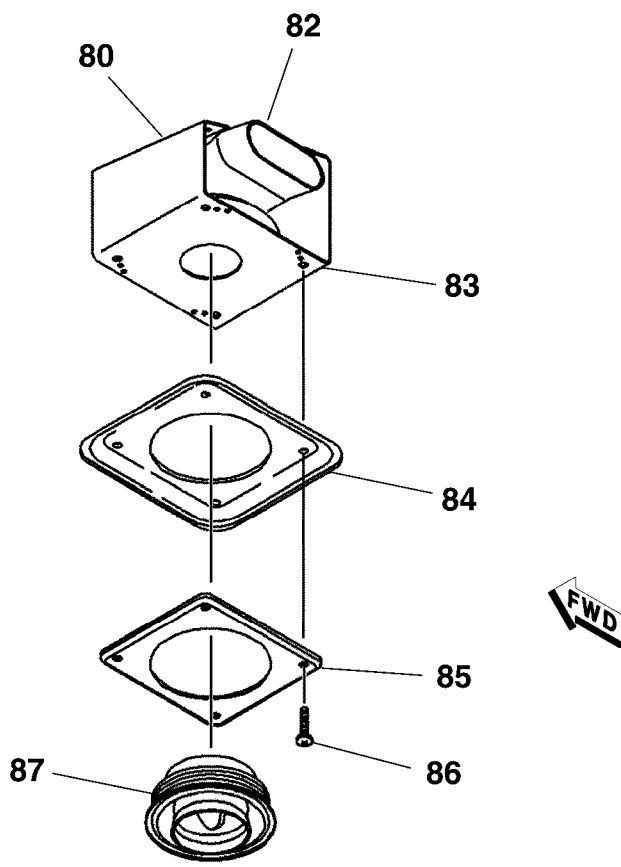
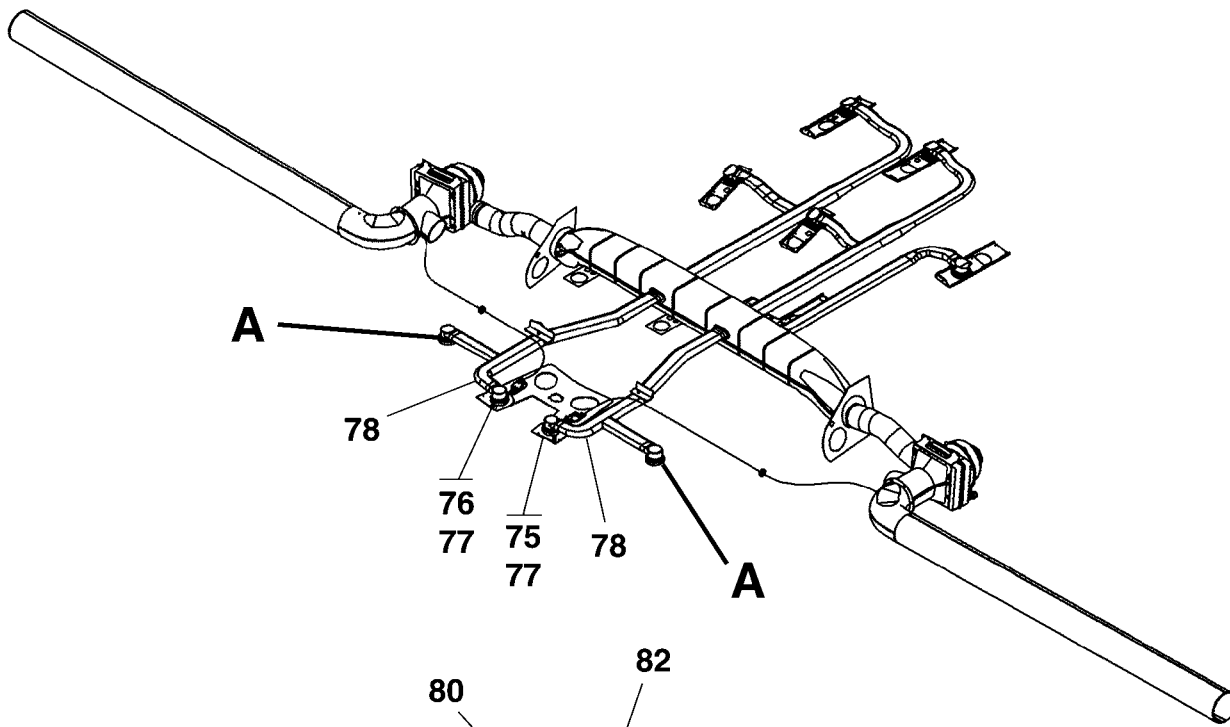
**CESSNA®**  
**MODEL 208**  
**ILLUSTRATED PARTS CATALOG**

FIG ITEM	PART NUMBER	NOMENCLATURE	UNITS		
			PER	ASSY	
04		OVERHEAD VENTILATION SYSTEM WITH AIR CONDITIONING REFER TO	0208	& ON	RF
-		NOTE 1			
1	2611165-23	. DUCT ASSY . . . . .			02
2	2611165-45	. VALVE ASSY-WING VENT LH . . . . .			01
3	2611165-46	. VALVE ASSY-WING VENT RH . . . . .			01
4	2611165-43	. ELBOW ASSY . . . . .			01
5	2611165-18	. SHAFT ASSY-LH VALVE . . . . .			01
- 6	2611165-26	. SHAFT ASSY-RH VALVE . . . . .			01
7	S1438-17	. WASHER . . . . .			01
8	NAS1149F0463P	. WASHER . . . . .			02
9	NAS43HT4-38	. SPACER . . . . .			01
10	2611227-1	. ARM ASSY . . . . .			01
11	MS16562-16	. PIN-ARM ASSY ATTACH . . . . .			01
12	2611165-20	. BUTTERFLY ASSY . . . . .			01
13	MS35206-231	. SCREW-BUTTERFLY ASSY ATTACH . . . . .			02
14	NAS1149F0632P	. WASHER-BUTTERFLY ASSY ATTACH . . . . .			02
- 15	MS21069L06K	. NUTPLATE . . . . .			02
16	S2323-5	. CLAMP . . . . .			01
17	NAS1149F0332P	. WASHER . . . . .			02
18	MS21042L3	. NUT . . . . .			01
19	MS35489-134	. GROMMET . . . . .			02
20		. EVAPORATOR INSTALLATION REFER TO 21-51-03 FIGURE 03 . . . . .			RF
21	AN3-5A	. BOLT . . . . .	0208	0403	04
- 21A	AN3-5A	. BOLT . . . . .	0404	& ON	06
22	NAS1149F0332P	. WASHER . . . . .	0208	0403	04
- 22A	NAS1149F0332P	. WASHER . . . . .	0404	& ON	06
23	MS21044N3	. NUT . . . . .	0208	0403	04
- 23A	MS21044N3	. NUT . . . . .	0404	& ON	04
24	2611165-2	. SHIM . . . . .			02
25	S2226-1	. CLAMP . . . . .			02
26	AN3-3A	. BOLT . . . . .			02
27	MS21044N3	. NUT . . . . .			02
28	2611105-35	. PLENUM ASSY . . . . .			01
29	360-032-561	. CONVERTER ASSY-LH VENT . . . . .	V70436		01
- 30	361-032-525	. CONVERTER ASSY-RH VENT . . . . .	V70436		01
31	MS24693-S273	. SCREW-CONVERTER ASSY ATTACH . . . . .			01
32	NAS43DD3-10N	. SPACER-CONVERTER ASSY ATTACH . . . . .			01
- 32A	NAS43DD3-10FC	. SPACER-CONVERTER ASSY ATTACH ALT FOR NAS43DD3-10N . . . . .			01
33	NAS1149F0332P	. WASHER-CONVERTER ASSY ATTACH . . . . .			01
34	MS21042-3	. NUT-CONVERTER ASSY ATTACH . . . . .			01
35	S1398-2	. CASING-CONTROL BKI 63.25 IN LG . . . . .			01
- 36	S1398-1	. WIRE-CONTROL BKI 66.00 IN LG . . . . .			01
- 37	2613367-3	. ANGLE-LH . . . . .			01
- 38	2613367-4	. ANGLE-RH . . . . .			01
- 39	S1399-1	. SPIRAL WRAP BKI 50.00 IN LG . . . . .			01
40	NAS1149F0732P	. WASHER . . . . .			02
41	NT385	. NUT-PAL . . . . .			01
42	S1587-7	. KNOB ASSY . . . . .			01
43	AN565D8H5	. SETSCREW . . . . .			01

NOTE 1—AND AIRPLANES -0007 THRU -0112 CONVERTED FROM 208A

CESSNA®  
MODEL 208  
ILLUSTRATED PARTS CATALOG

A104667



**DETAIL A**

OVERHEAD VENTILATION SYSTEM WITH AIR CONDITIONING  
FIGURE 04 (SHEET 2)

CESSNA®  
**MODEL 208**  
 ILLUSTRATED PARTS CATALOG

FIG ITEM	PART NUMBER	NOMENCLATURE	UNITS PER ASSY		
			1	2	3
04					
75	2615124-13	. OUTLET ASSY-LH FSO 2615124-69 . . . . .	0208	0223	NP R
- 75A	2615124-69	. OUTLET ASSY-LH FOR SPARES ONLY . . . . .			01 R
76	2615124-14	. OUTLET ASSY-RH FSO 2615124-70 . . . . .	0208	0223	NP
- 76A	2615124-70	. OUTLET ASSY-RH FOR SPARES ONLY . . . . .			01
77	3060	. OUTLET-AIR . . . . . V83564			02
- 77A	AV467401	. OUTLET-AIR VALVE DISC TYP 1.5 ID ALT FOR 3060 . . . . .			02
78	9910588-10	. DUCT-PILOT/COPILOT REFER NOTE 1 AND TO NOTE 2 AND NOTE 3 . . . . .	0208	0499	02
- 78A	9910588-11	. DUCT-PILOT/COPILOT . . . . .	0500	& ON	02
- 78B	9910588-15	. DUCT-PILOT/COPILOT REFER NOTE 1 AND TO NOTE 2 AND NOTE 3 . . . . .			02
- 79	MS3367-2-9	. STA-STRAP-DUCT ATTACH REFER NOTE 1 AND TO NOTE 2 AND NOTE 3 . . . . .			AR
80	2613405-5	. BRACKET ASSY-LH FSO 2613405-9 . . . . .	0208	0380	NP
- 80A	2613405-9	. BRACKET ASSY-LH REFER NOTE 1 AND TO NOTE 2 AND NOTE 3 . . . . .	0381	& ON	01
- 81	2613405-6	. BRACKET ASSY-RH FSO 2613405-10 . . . . .	0208	0380	NP
- 81A	2613405-10	. BRACKET ASSY-RH REFER NOTE 1 AND TO NOTE 2 AND NOTE 3 . . . . .	0381	& ON	01
82	X7244-1	. . . . . VK2962	0208	0380	01
- 82A	X7244-3	. . . . . VK2962	0381	& ON	01
83	NAS696A08	. . . . .			04
84	2613406-5	. TRIM-VENT REFER TO NOTE 1 AND NOTE 2 AND NOTE 3 . . . . .			02
85	2613406-4	. COVER-VENT REFER NOTE 1 AND TO NOTE 2 AND NOTE 3 . . . . .			02
86	MS35206-247	. SCREW-COVER ATTACH REFER NOTE 1 AND TO NOTE 2 AND NOTE 3 . . . . .			04
87	3060	. OUTLET-AIR . . . . . V83564			02
- 87A	AV467401	. OUTLET-AIR VALVE DISC TYP 1.5 ID ALT FOR 3060 REFER TO NOTE 1 AND NOTE 2 . . . . .			02

NOTE 1—AIRPLANES -0001 THRU -0139 AND AIRPLANES -0140 THRU -0415, AND -0417 THRU -0499 INCORPORATING SK208-157A.

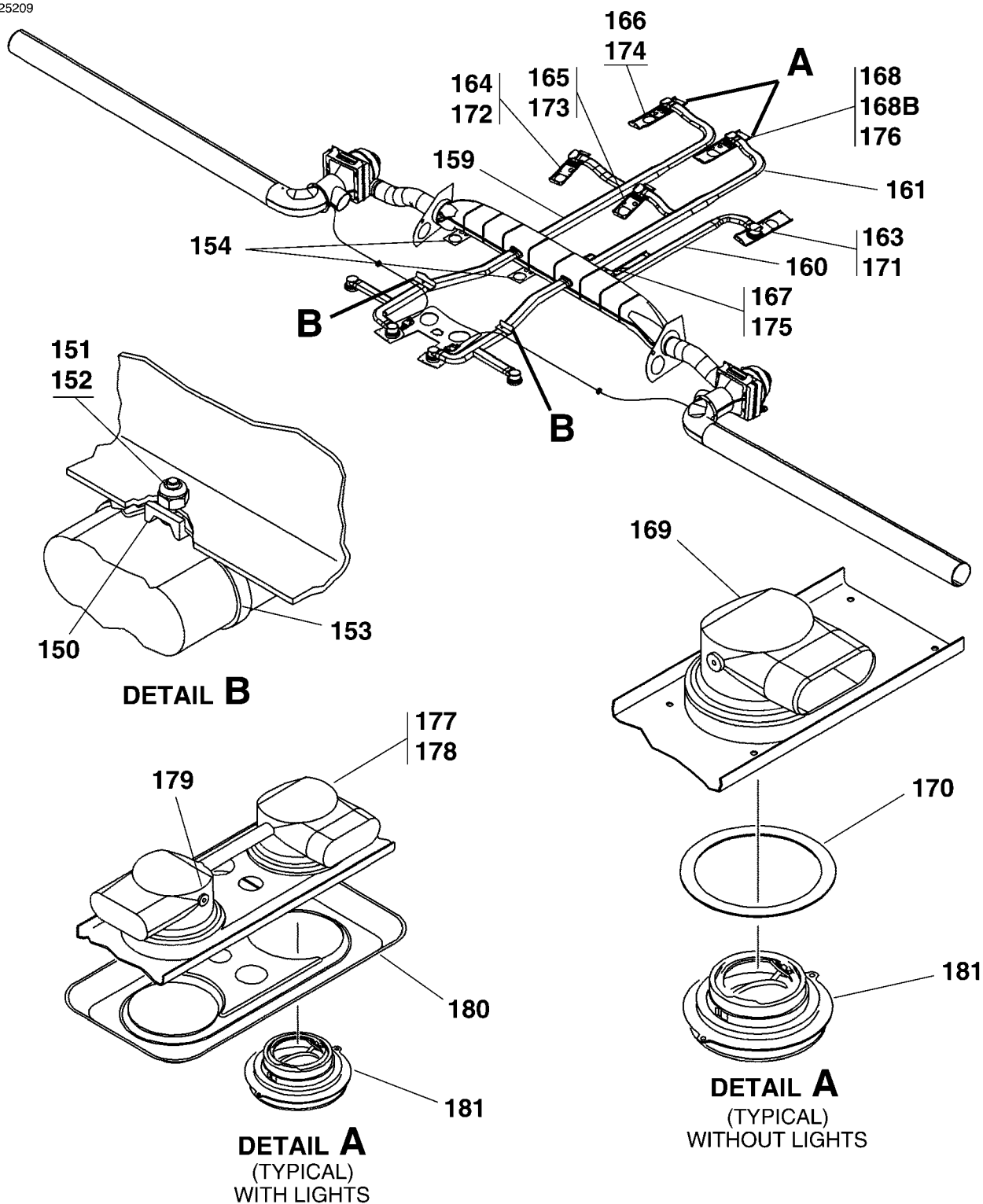
NOTE 2—AIRPLANES -0208 & ON AND AIRPLANES -0500 AND ON INCORPORATING CAB-21-03

NOTE 3—AIRPLANES -B5000 AND ON INCORPORATING CAB-21-04.



CESSNA®  
**MODEL 208**  
 ILLUSTRATED PARTS CATALOG

A25209



2614T1163  
 A2614T1162  
 A2614T1158  
 B2614T1153

OVERHEAD VENTILATION SYSTEM WITH AIR CONDITIONING  
 FIGURE 04 (SHEET 3)

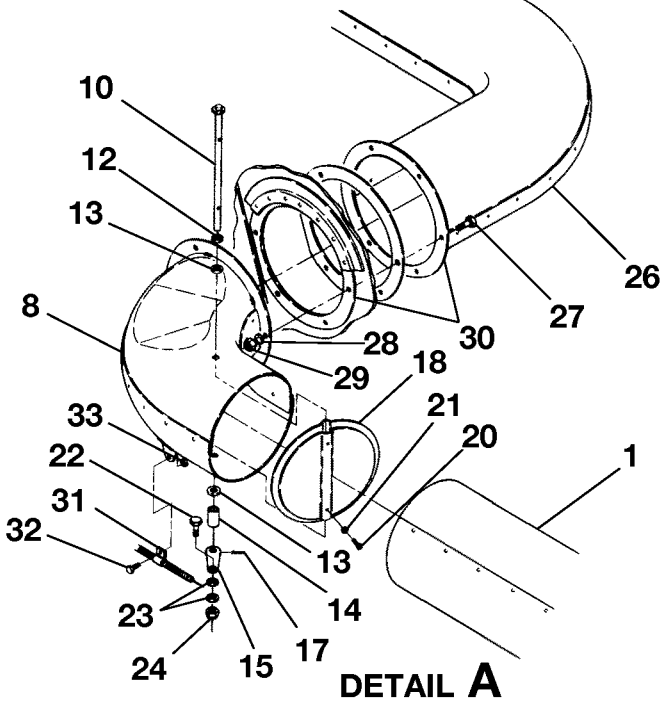
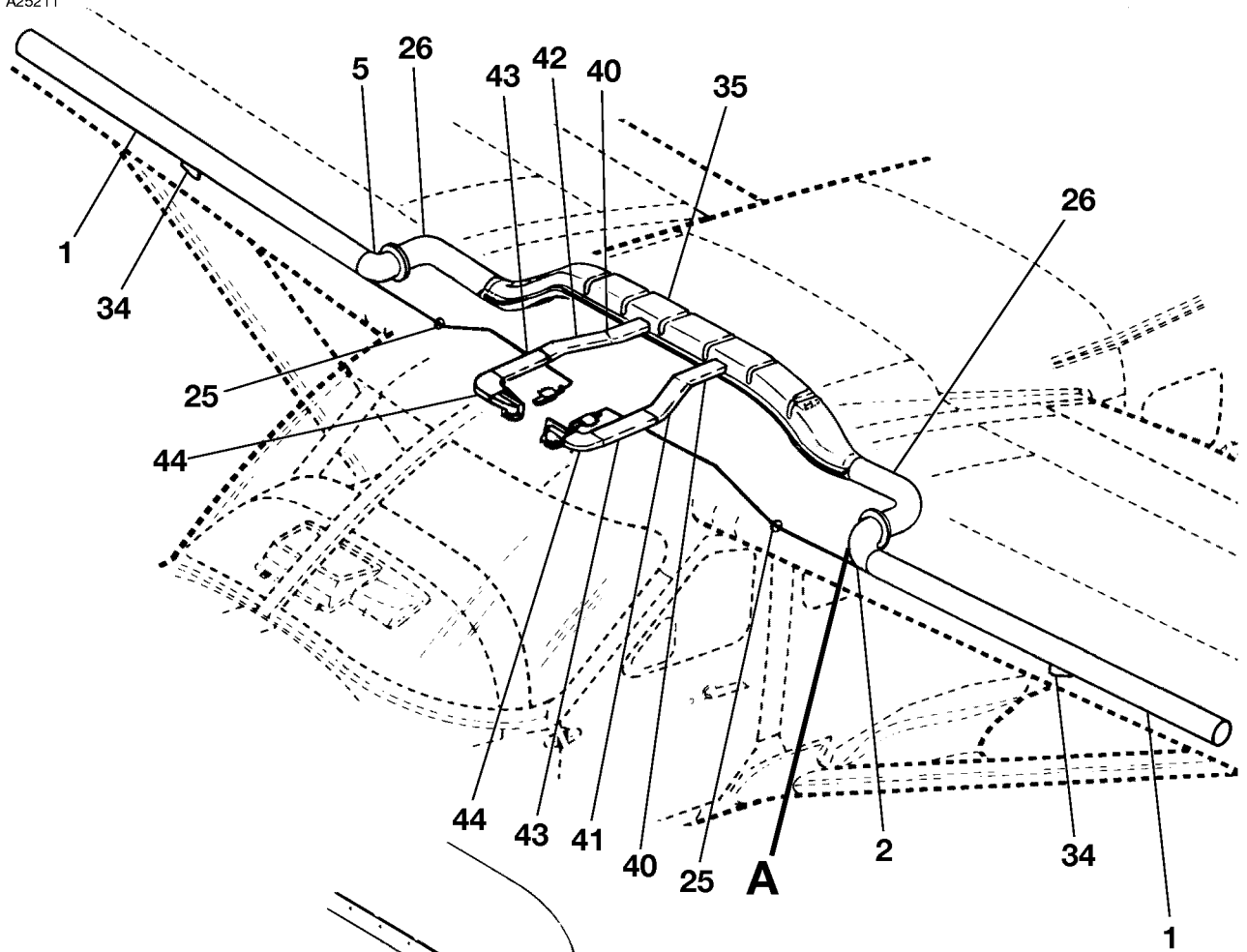
**CESSNA®**  
**MODEL 208**  
**ILLUSTRATED PARTS CATALOG**

FIG ITEM	PART NUMBER	NOMENCLATURE	UNITS	
			PER	ASSY
04				
150	S1742-1	. MOUNT . . . . .		02
151	MS35206-245	. SCREW-MOUNT ATTACH . . . . .		01
152	MS21044N08	. NUT-MOUNT ATTACH . . . . .		01
153	MS3367-2-9	. STA-STRAP . . . . .		02
154	2515	. OUTLET-AIR . . . . .	V83564	02
- 154A	AV267403	. OUTLET-AIR ALT FOR 2515 . . . . .		02
- 155	2615124-40	. BRACKET . . . . .	0208	0380 02
- 156	2615124-36	. OUTLET ASSY . . . . .	0381	& ON 02
- 157	2615124-54	. RING-AIR . . . . .	0208	0380 02
- 158	2615132-1	. ESCUTCHEON USED WITH READING LIGHTS . . . . .		02
159	9910588-12	. DUCT-AFT RH . . . . .		01
160	9910588-13	. DUCT-AFT LH . . . . .		01
161	9910588-14	. DUCT-AFT CTR . . . . .		01
- 162	MS3367-2-9	. STRAP-DUCT ATTACH . . . . .		AR
163	2615124-45	. OUTLET ASSY-FSO 2615124-92 . . . . .	0208	0380 NP
- 163A	2615124-92	. OUTLET ASSY . . . . .	0381	& ON 01
164	2615124-46	. OUTLET ASSY-OUTBD FSO 2615124-93 . . . . .	0208	0380 NP
- 164A	2615124-93	. OUTLET ASSY-OUTBD . . . . .	0381	& ON 01
165	2615124-47	. OUTLET ASSY-INBD FSO 2615124-94 . . . . .	0208	0380 NP
- 165A	2615124-94	. OUTLET ASSY-INBD . . . . .	0381	& ON 01
166	2615124-48	. OUTLET ASSY-OUTBD FSO 2615124-95 . . . . .	0208	0380 NP
- 166A	2615124-95	. OUTLET ASSY-OUTBD . . . . .	0381	& ON 01
167	2615124-50	. OUTLET ASSY-FSO 2615124-96 . . . . .	0208	0380 NP
- 167A	2615124-96	. OUTLET ASSY . . . . .	0381	& ON 01
168	2615124-48	. OUTLET ASSY-INBD FSO 2615124-95 . . . . .	0208	0217 NP
- 168A	2615124-95	. OUTLET ASSY-INBD . . . . .	0381	& ON 01
168B	2615124-67	. OUTLET ASSY-INBD FSO 2615124-108 . . . . .	0218	0380 NP
- 168C	2615124-108	. OUTLET ASSY-INBD . . . . .		01 R
169	X7244	. . . . .	VK2962	0208 0380 01 R
- 169A	X7244-1	. . . . .	VK2962	01 R
- 169B	X7194-3	. . . . .	VK2962	0381 & ON 01
170	2615124-54	. RING-AIR . . . . .	0208	0380 06
171	2615124-55	. OUTLET ASSY-USED WITH READING LIGHTS FSO 2615124-99 . . . . .	0208	0380 NP
- 171A	2615124-99	. OUTLET ASSY-USED WITH READING LIGHTS . . . . .	0381	& ON 01
172	2615124-34	. OUTLET ASSY-USED WITH READING LIGHTS FSO 2615124-89 . . . . .	0208	0380 NP
- 172A	2615124-89	. OUTLET ASSY-USED WITH READING LIGHTS . . . . .	0381	& ON 01
173	2615124-35	. OUTLET ASSY-USED WITH READING LIGHTS FSO 2615124-90 . . . . .	0208	0380 NP
- 173A	2615124-90	. OUTLET ASSY-USED WITH READING LIGHTS . . . . .	0381	& ON 01
174	2615124-52	. OUTLET ASSY-USED WITH READING LIGHTS FSO 2615124-98 . . . . .	0208	0380 NP
- 174A	2615124-98	. OUTLET ASSY-USED WITH READING LIGHTS . . . . .	0381	& ON 01
175	2615124-56	. OUTLET ASSY-USED WITH READING LIGHTS FSO 2615124-100 . . . . .	0208	0380 NP
- 175A	2615124-100	. OUTLET ASSY-USED WITH READING LIGHTS . . . . .	0381	& ON 01
176	2615124-66	. OUTLET ASSY-USED WITH READING LIGHTS FSO 2615124-107 . . . . .	0208	0380 NP R
- 176A	2615124-107	. OUTLET ASSY-USED WITH READING LIGHTS . . . . .	0381	& ON 01
177	X7194	. . . . .	VK2962	01
178	2615124-11	. . . . .		01
179	MS35489-1	. GROMMET . . . . .		01
180	2615132-1	. ESCUTCHEON USED WITH READING LIGHTS . . . . .		06
181	2515	. OUTLET-AIR . . . . .	V83564	06
- 182	AV267403	. OUTLET-AIR ALT FOR 2515 . . . . .		06

- ITEM NOT ILLUSTRATED

CESSNA®  
**MODEL 208**  
 ILLUSTRATED PARTS CATALOG

A25211



**DETAIL A**

OVERHEAD VENTILATION SYSTEM - 208  
 FIGURE 01 (SHEET 1)

26142017  
 A26143006

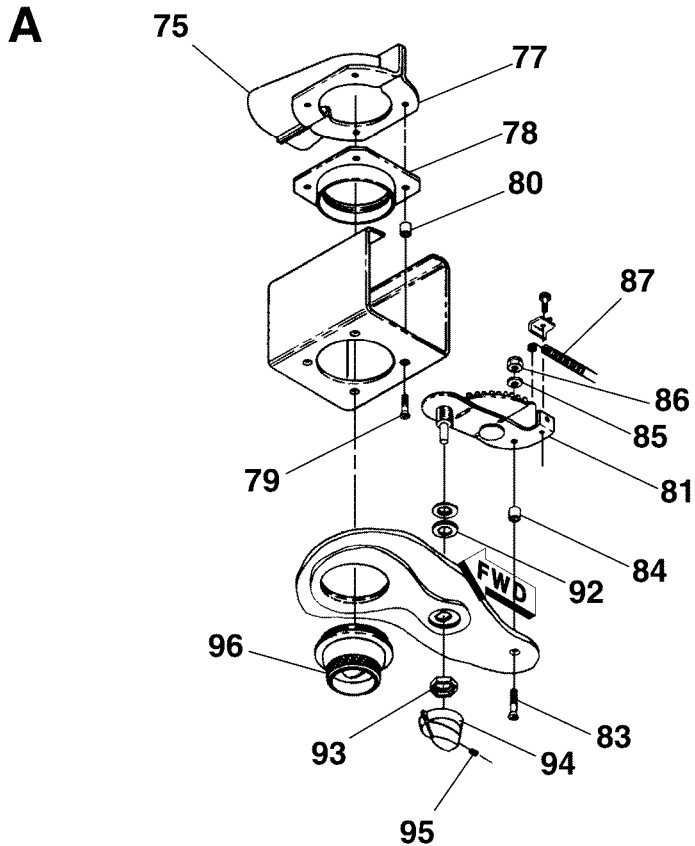
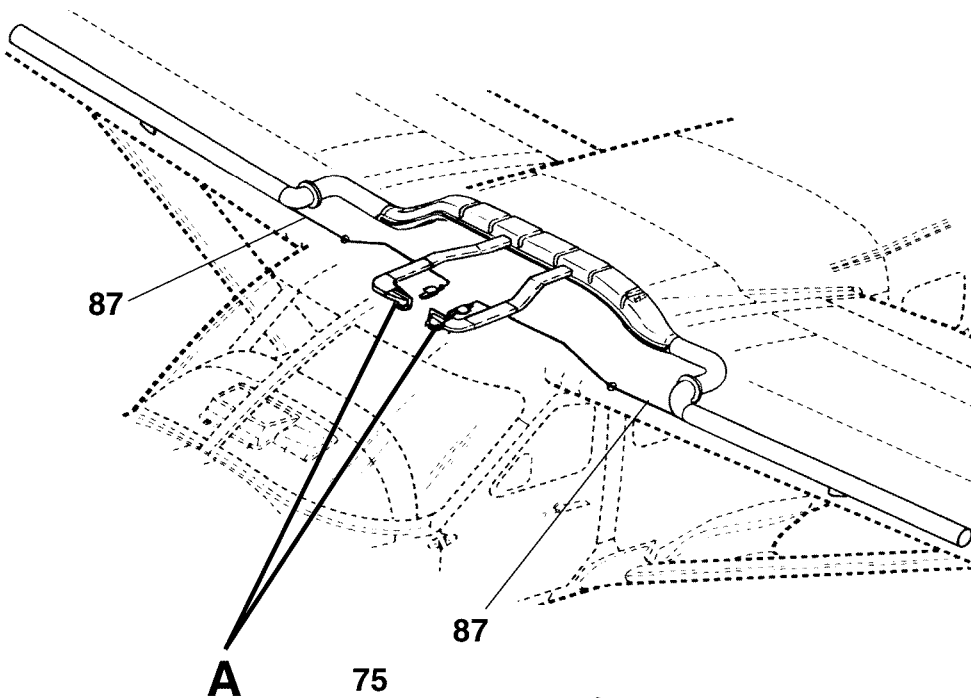
**CESSNA®**  
**MODEL 208**  
**ILLUSTRATED PARTS CATALOG**

FIG ITEM	PART NUMBER	NOMENCLATURE	UNITS PER ASSY		
			1	2	3
01		OVERHEAD VENTILATION SYSTEM - 208	0113	0499	RF
-		DUCT ASSY			02
1	2611165-23	VALVE ASSY-LH WING VENT FSO 2611165-45	0113	0131	NP
2	2611165-7	VALVE ASSY-LH WING VENT FSO 2611165-45	0132	0220	NP
- 3	2611165-41	VALVE ASSY-LH WING VENT	0221	& ON	01
- 4	2611165-45	VALVE ASSY-RH WING VENT FSO 2611165-46	0113	0131	NP
5	2611165-8	VALVE ASSY-RH WING VENT FSO 2611165-46	0132	0220	NP R
- 6	2611165-42	VALVE ASSY-RH WING VENT	0221	& ON	01
- 7	2611165-46	ELBOW ASSY	0113	0131	01
8	2611165-11	ELBOW ASSY	0132	& ON	01
- 9	2611165-43	SHAFT ASSY-LH VALVE			01
10	2611165-18	SHAFT ASSY-RH VALVE			01
- 11	2611165-26	WASHER			01
12	S1438-17	WASHER			01
13	NAS1149F0463P	WASHER			02
14	NAS43HT4-38	SPACER			01
15	2611165-15	ARM ASSY FSO 2611227-1	0113	0220	NP
- 16	2611227-1	ARM	0221	& ON	01
17	MS16562-16	PIN			01
18	2611165-20	BUTTERFLY ASSY			01
- 19	MS21069L06K	NUTPLATE			02
20	MS35206-231	SCREW			02
21	NAS1149F0632P	WASHER			02
22	S2323-5	CLAMP			01
23	NAS1149F0332P	WASHER			02
24	MS21042L3	NUT			01
25	MS35489-134	GROMMET			02
26	2611165-40	ELBOW ASSY			02
		ATTACHING PARTS			
27	AN3-5A	BOLT	0113	0403	04
- 27A	AN3-5A	BOLT	0404	& ON	06
28	NAS1149F0332P	WASHER	0113	0403	04
- 28A	NAS1149F0332P	WASHER	0404	& ON	06
29	MS21044N3	NUT	0113	0403	04
- 29A	MS21044N3	NUT	0404	& ON	06
30	2611165-2	SHIM			02
		*—			
31	S2226-1	CLAMP			02
32	AN3-3A	BOLT			02
33	MS21044N3	NUT			02
34		BRACE-VENTILATION DUCT REFER TO 57-40-00 FIGURE 01			RF
35	2611105-23	PLENUM ASSY FSO 2611105-36	0113	0207	NP
- 36	2611105-36	PLENUM ASSY	0208	& ON	01
- 36A	2611105-44	PLENUM ASSY 208 CARGO	0296	0499	01
		ATTACHING PARTS			
- 37	AN3-35A	BOLT			04
- 38	NAS1149F0363P	WASHER			04
- 39	NAS43DD3-196N	SPACER			04
- 39A	NAS43DD3-196FC	SPACER ALT FOR NAS43DD3-196N			04
		*—			
40	S2514-2	DUCT BKI 9.88 IN LG ALT FOR 600-400000-02 REFER TO NOTE 1			02
- 40A	600-400000-02	DUCT REFER TO NOTE 1			02
41	2610020-107	COUPLING ASSY-LH			01
42	2610020-108	COUPLING ASSY-RH			01
43	S2514-2	DUCT BKI 10.75 IN LG ALT FOR 600-400000-02 REFER TO NOTE 1			02
- 43A	600-400000-02	DUCT REFER TO NOTE 1			02
44	2610020-111	ELBOW			02

NOTE 1—PERMISSIBLE TO USE 600-400000-02 IN LIEU OF S2514-2, CUT TO LENGTH.

CESSNA®  
MODEL 208  
ILLUSTRATED PARTS CATALOG

A25212



**DETAIL A**

OVERHEAD VENTILATION SYSTEM - 208  
FIGURE 01 (SHEET 2)

26142017  
A26142006

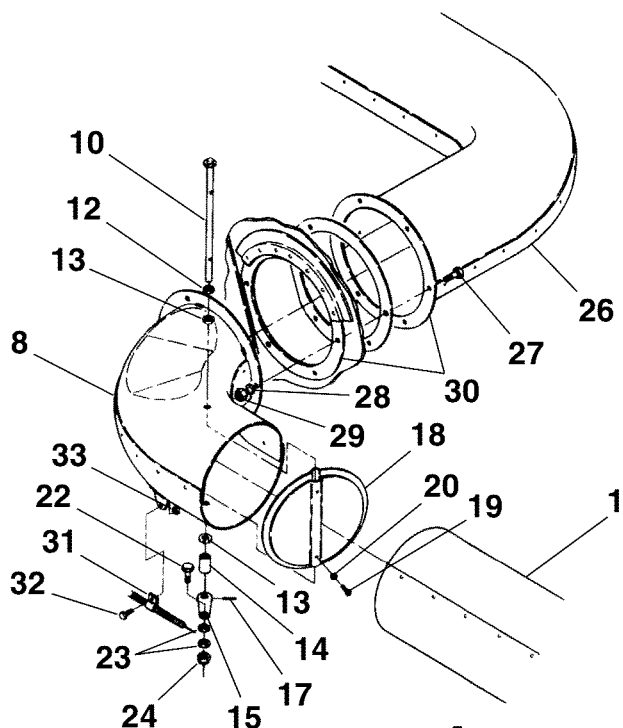
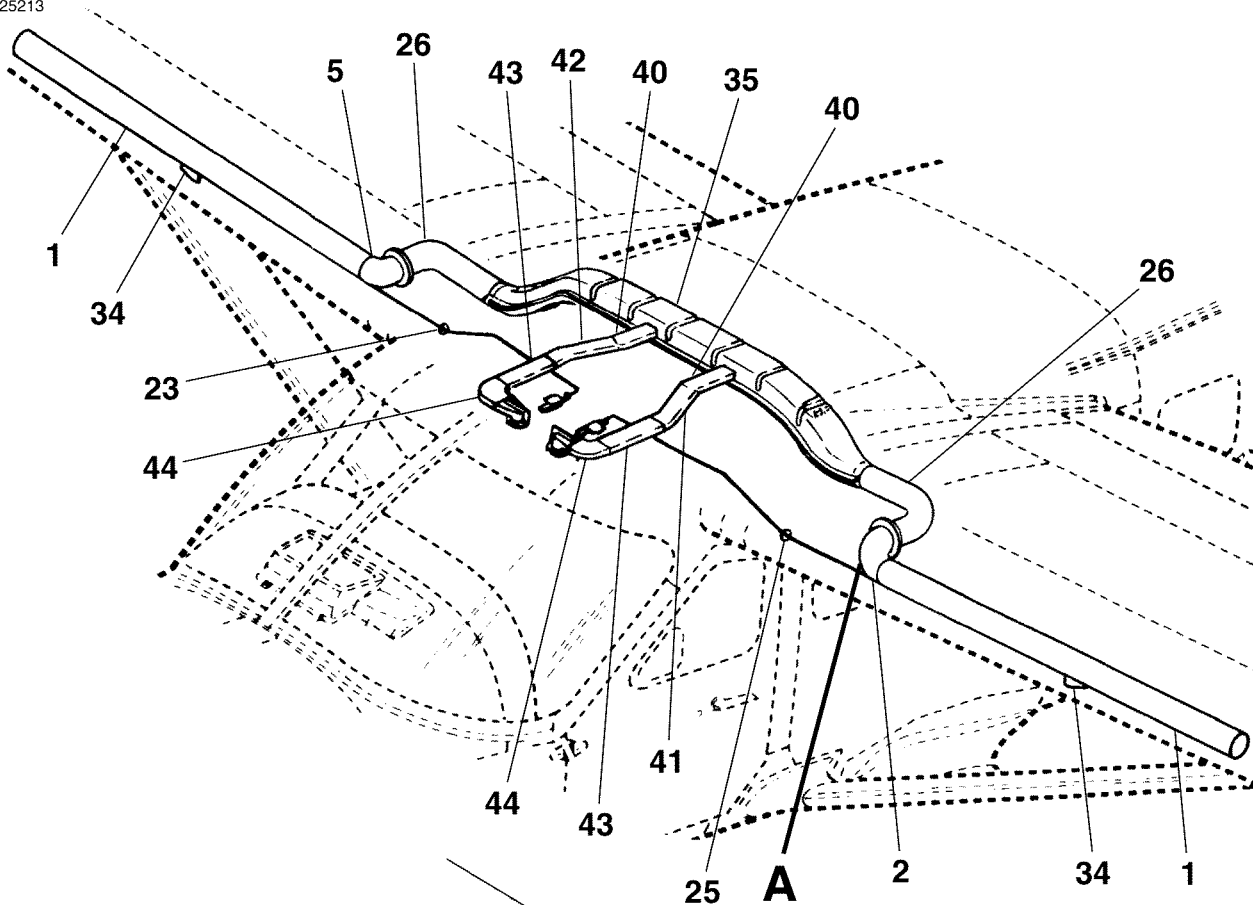
CESSNA®  
**MODEL 208**  
 ILLUSTRATED PARTS CATALOG

FIG ITEM	PART NUMBER	NOMENCLATURE	UNITS PER ASSY		
			1	2	3
01					
75	2610020-32	. RETAINER ASSY . . . . .	0113	0173	02
- 76	2610020-118	. RETAINER ASSY . . . . .	0174	& ON	02
77	MS21069L04	. NUTPLATE . . . . .			04
78	2392	. RETAINER COLLAR . . . . . V83564			02
		ATTACHING PARTS			
79	AN507-440-10	. SCREW . . . . .			04
80	NAS43DD0-12N	. SPACER . . . . .			04
- 80A	NAS43DD0-12FC	. SPACER ALT FOR NAS43DD0-12N . . . . .			04
		—*—			
81	360-032-561	. CONVERTER ASSY-LH VENT . . . . . V70436			01
- 82	361-032-525	. CONVERTER ASSY-RH VENT . . . . . V70436			01
		ATTACHING PARTS			
83	MS24693-S273	. SCREW . . . . .			01
84	NAS43DD3-10N	. SPACER . . . . .			01
- 84A	NAS43DD3-10FC	. SPACER ALT FOR NAS43DD3-10FC . . . . .			01
85	NAS1149F0332P	. WASHER . . . . .			01
86	MS20364-1032C	. NUT . . . . .			01
		—*—			
87	S1398-2	. CASING CONTROL BKI 63.25 IN LG . . . . .			01
- 88	S1398-1	. WIRE CONTROL BKI 66.00 IN LG . . . . .			01
- 89	S1399-1	. SPIRAL WRAP BKI 50.00 IN LG . . . . .	0155	& ON	01
- 90	2613367-3	. ANGLE-LH . . . . .			01
- 91	2613367-4	. ANGLE-RH . . . . .			01
92	NAS1149F0732P	. WASHER . . . . .			02
93	NT385	. NUT-PAL . . . . .			01
94	S1587-7	. KNOB . . . . .			01
95	AN565D8H5	. SET SCREW . . . . .			01
96	2394	. VALVE WEMAC . . . . . V83564	0113	0295	02

- ITEM NOT ILLUSTRATED

CESSNA®  
**MODEL 208**  
 ILLUSTRATED PARTS CATALOG

A25213



**DETAIL A**

OVERHEAD VENTILATION SYSTEM  
 FIGURE 01 (SHEET 1)

26142017

**CESSNA®**  
**MODEL 208**  
**ILLUSTRATED PARTS CATALOG**

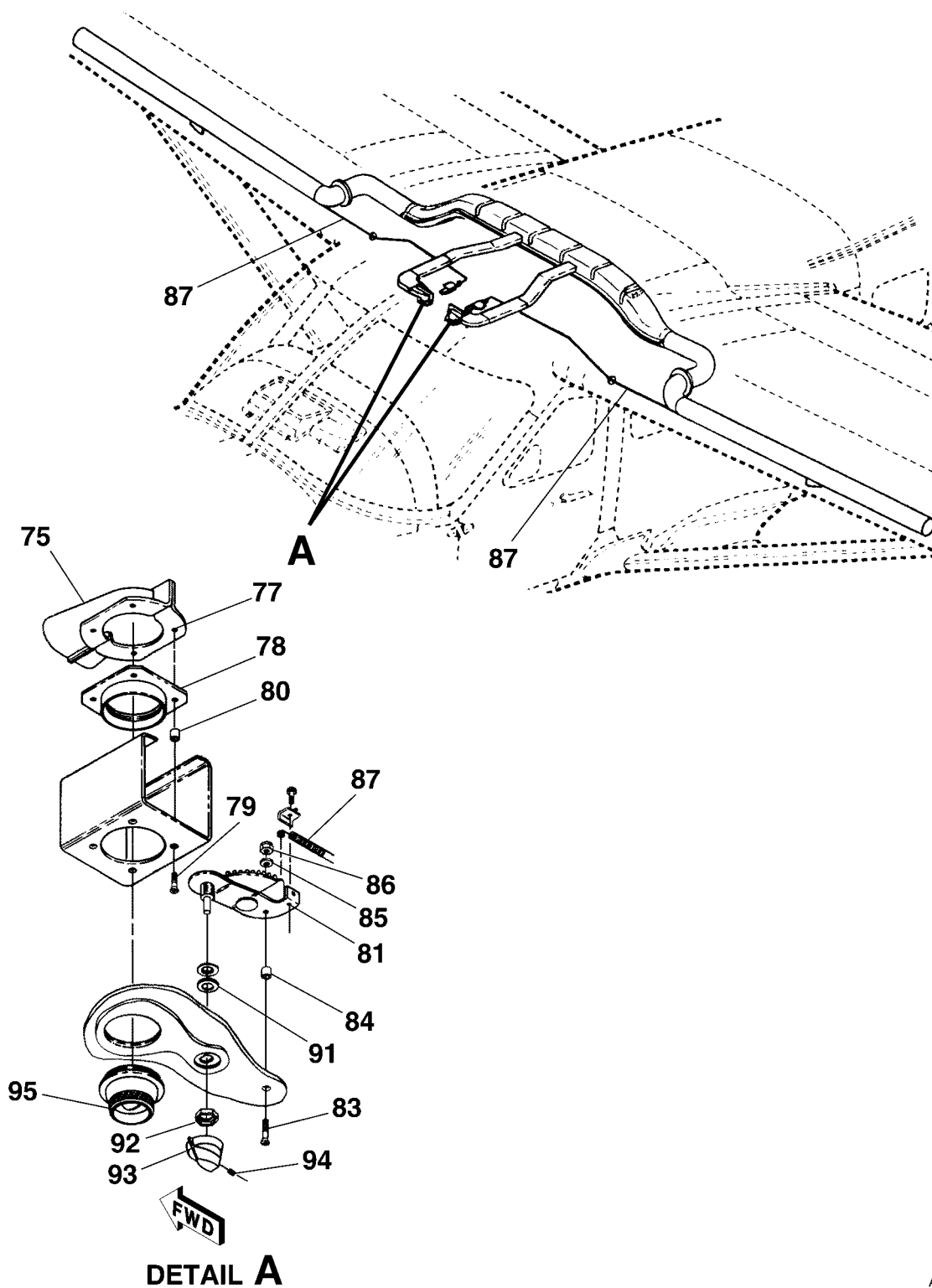
FIG ITEM	PART NUMBER	NOMENCLATURE	UNITS PER ASSY		
			1	2	3
01		OVERHEAD VENTILATION SYSTEM			
-		DUCT ASSY	B0001	& ON	RF
1	2611165-23	DUCT ASSY			02
2	2611165-7	VALVE ASSY-LH WING VENT FSO 2611165-45	B0001	B0065	NP
- 3	2611165-41	VALVE ASSY-LH WING VENT FSO 2611165-45	B0066	B0312	NP
- 4	2611165-45	VALVE ASSY-LH WING VENT	B0313	& ON	01
5	2611165-8	VALVE ASSY-RH WING VENT FSO 2611165-46	B0001	B0065	NP
- 6	2611165-42	VALVE ASSY-RH WING VENT FSO 2611165-46	B0066	B0312	NP
- 7	2611165-46	VALVE ASSY-RH WING VENT	B0313	& ON	01
8	2611165-11	ELBOW ASSY	B0001	B0065	01 R
- 9	2611165-43	ELBOW ASSY	B0066	& ON	01
10	2611165-18	SHAFT ASSY-LH VALVE			01
- 11	2611165-26	SHAFT ASSY-RH VALVE			01
12	S1438-17	WASHER			01
13	NAS1149F0463P	WASHER			02
14	NAS43HT4-38	SPACER			01
15	2611165-15	ARM ASSY FSO 2611227-1	B0001	B0312	NP
- 16	2611227-1	ARM	B0313	& ON	01
		ATTACHING PARTS			
17	MS16562-16	PIN			01
		—*—			
18	2611165-20	BUTTERFLY ASSY			01
		ATTACHING PARTS			
19	MS35206-231	SCREW			02
20	NAS1149F0632P	WASHER			02
		—*—			
- 21	MS21069L06K	NUTPLATE			02
22	S2323-5	CLAMP			01
23	NAS1149F0332P	WASHER			02
24	MS21042L3	NUT			01
25	MS35489-134	GROMMET			02
26	2611165-28	ELBOW ASSY FSO 2611165-40	B0001	B0065	NP
- 26A	2611165-40	ELBOW ASSY	B0066	& ON	02
		ATTACHING PARTS			
27	AN3-5A	BOLT	B0001	B1218	04
- 27A	AN3-5A	BOLT	B1219	& ON	06
28	NAS1149F0332P	WASHER	B0001	B1218	04
- 28A	NAS1149F0332P	WASHER	B1219	& ON	06
29	MS21044N3	NUT	B0001	B1218	04
- 29A	MS21044N3	NUT	B1219	& ON	06
30	2611165-2	SHIM			02
		—*—			
31	S2226-1	CLAMP			02
		ATTACHING PARTS			
32	AN3-3A	BOLT			01
33	MS21044N3	NUT			01
		—*—			
34		BRACE-VENTILATION DUCT REFER TO 57-40-00 FIGURE 01			RF
35	2611105-23	PLENUM ASSY FSO 2611105-36	B0001	B0279	NP
- 36	2611105-36	PLENUM ASSY	B0280	B0729	01
- 36A	2611105-44	PLENUM ASSY	B0730	& ON	01
		ATTACHING PARTS			
- 37	AN3-35A	BOLT			04
- 38	NAS1149F0363P	WASHER			04
- 39	NAS43DD3-196N	SPACER			04
- 39A	NAS43DD3-196FC	SPACER ALT FOR NAS43DD3-196N			04
		—*—			
40	S2514-2	DUCT BKI 29.25 IN LG ALT FOR 600-400000-02 REFER TO NOTE 1	B0001	B0729	02
- 40A	600-400000-02	DUCT REFER TO NOTE 1			02
- 40B	9910588-1	DUCT	B0730	& ON	02
41	2610020-107	COUPLING ASSY-LH	B0001	B0729	01
42	2610020-108	COUPLING ASSY-RH	B0001	B0729	01
43	S2514-2	DUCT BKI 10.75 IN LG	B0001	B0729	02
44	2610020-111	ELBOW	B0001	B0729	02

NOTE 1—PERMISSIBLE TO USE 600-400000-02 IN LIEU OF S2514-2, CUT TO LENGTH.



CESSNA®  
MODEL 208  
ILLUSTRATED PARTS CATALOG

A25215



OVERHEAD VENTILATION SYSTEM  
FIGURE 01 (SHEET 2)

26142017  
A2614R2006

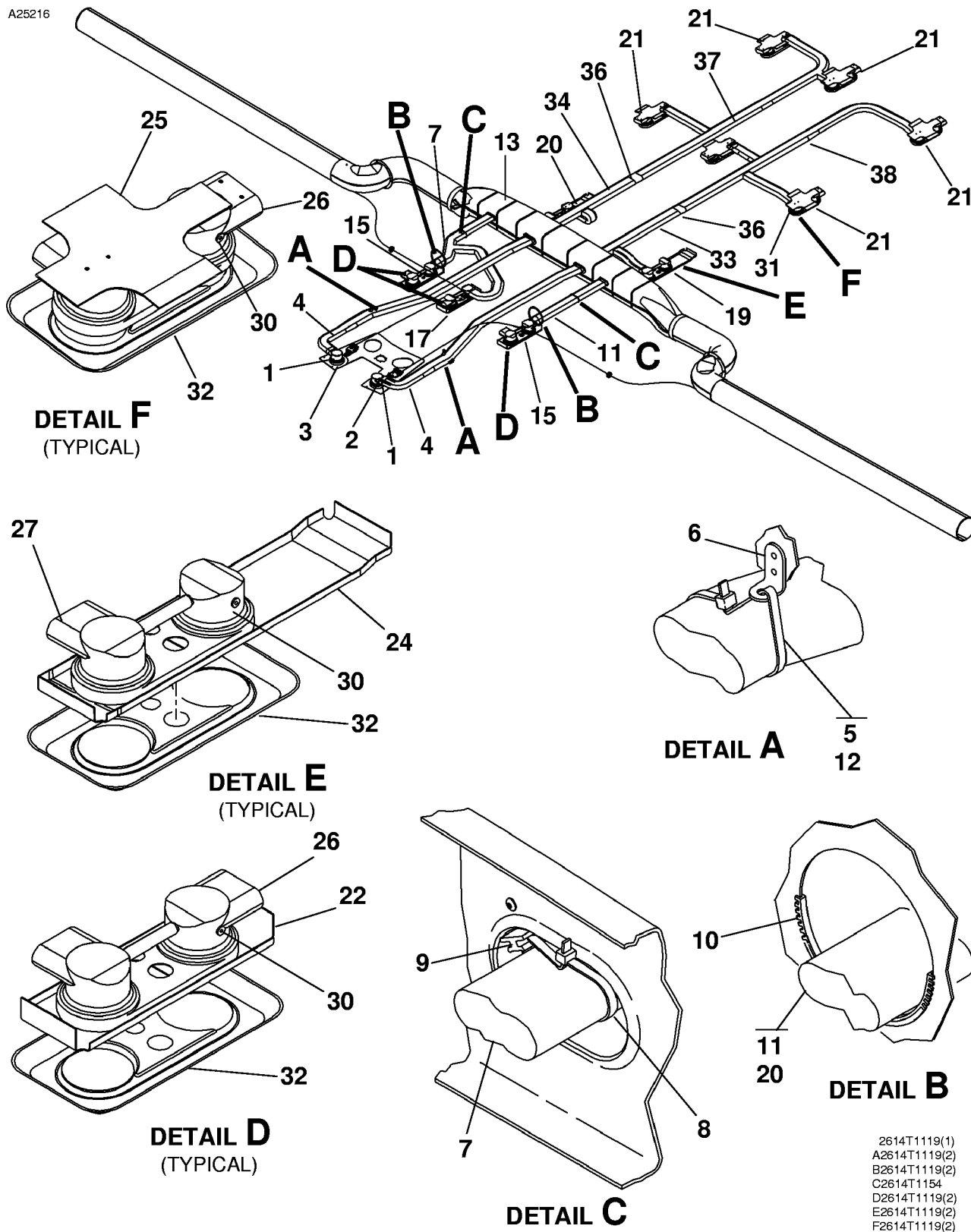
CESSNA®  
**MODEL 208**  
 ILLUSTRATED PARTS CATALOG

FIG ITEM	PART NUMBER	NOMENCLATURE	UNITS PER ASSY		
			1	2	3
01					
75	2610020-32	. RETAINER ASSY . . . . .	B0001	B0203	02
- 76	2610020-118	. RETAINER ASSY . . . . .	B0204	B0729	02
77	MS21069L04	. NUTPLATE . . . . .			04
78	2392	. RETAINER COLLAR . . . . .	V83564	B0001	B0729
		ATTACHING PARTS			02
79	AN507-440R10	. SCREW . . . . .			04
80	NAS43DD0-12N	. SPACER . . . . .			04
- 80A	NAS43DD0-12FC	. SPACER ALT FOR NAS43DD0-12N . . . . .			04
		—*—			
81	2613367-5	. CONVERTER ASSY-VENT LH FSO 360-032-560 . . . . .	B0001	B0729	01 R
- 81A	360-032-560	. CONVERTER ASSY-VENT LH . . . . .	V70436	B0730	& ON
- 82	2613367-6	. CONVERTER ASSY-VENT RH FSO 361-032-523 . . . . .	B0001	B0729	01 R
- 82A	361-032-523	. CONVERTER ASSY-VENT RH . . . . .	V70436	B0730	& ON
		ATTACHING PARTS			01 R
83	AN507-1032R10	. SCREW . . . . .	B0001	B0729	01
- 83A	MS24693-S273	. SCREW . . . . .	B0730	& ON	01
84	NAS43DD3-10N	. SPACER . . . . .			01
- 84A	NAS43DD3-10FC	. SPACER ALT FOR NAS43DD3-10N . . . . .			01
85	NAS1149F0332P	. WASHER . . . . .			01
86	MS20364-1032C	. NUT . . . . .	B0001	B0729	01
- 86A	MS21042-3	. NUT . . . . .	B0730	& ON	01
		—*—			
87	S1398-2	. CASING-CONTROL BKI 77.25 IN LG . . . . .			01
- 88	S1398-1	. WIRE-CONTROL BKI 80.00 IN LG . . . . .			01
- 89	2613367-3	. ANGLE-LH . . . . .			01
- 90	2613367-4	. ANGLE-RH . . . . .			01
91	NAS1149F0732P	. WASHER . . . . .			02
92	NT385	. NUT-PAL . . . . .			01
93	S1587-7	. KNOB . . . . .			01
94	AN565D8H5	. SET SCREW . . . . .			01
95	2394	. VALVE ASSY-WEMAC . . . . .	V83564	B0001	B0729
- 96	3060	. VALVE ASSY . . . . .	V83564	B0730	& ON

- ITEM NOT ILLUSTRATED

CESSNA®  
**MODEL 208**  
 ILLUSTRATED PARTS CATALOG

A25216



OVERHEAD VENTILATION SYSTEM PASSENGER VERSION  
 FIGURE 02 (SHEET 1)

- 2614T1119(1)
- A2614T1119(2)
- B2614T1119(2)
- C2614T1119(2)
- D2614T1119(2)
- E2614T1119(2)
- F2614T1119(2)

**CESSNA®**  
**MODEL 208**  
**ILLUSTRATED PARTS CATALOG**

FIG ITEM	PART NUMBER	NOMENCLATURE	UNITS		
			PER	ASSY	
		1 2 3 4 5 6 7			
02		OVERHEAD VENTILATION SYSTEM PASSENGER VERSION	B0214	B0279	RF
-		. . . . .			
1	3060	. . . . . OUTLET-AIR . . . . . V83564			02
- 1A	AV467401	. . . . . OUTLET-AIR VALV DISC TYP 1.5 ID ALT FOR 3060 . . . . .			02
2	2615124-13	. . . . . OUTLET ASSY-LH . . . . .			01
3	2615124-14	. . . . . OUTLET ASSY-RH . . . . .			01
4	9910588-1	. . . . . DUCT-PILOT/COPILOT . . . . .			02
		ATTACHING PARTS			
5	MS3367-2-9	. . . . . STRAP . . . . .			04
6	AN743-13	. . . . . BRACKET . . . . .			02
		—*—			
7	9910588-2	. . . . . DUCT-RH FWD . . . . .			01
		ATTACHING PARTS			
8	MS3367-2-9	. . . . . STRAP . . . . .			04
9	AN743-13	. . . . . BRACKET . . . . .			01
		—*—			
10	S1050-1	. . . . . GROMMET BKI 5.40 IN LG . . . . .			02
11	9910588-3	. . . . . DUCT-LH FWD . . . . .			01
		ATTACHING PARTS			
12	MS3367-2-9	. . . . . STRAP . . . . .			02
		—*—			
13	2611105-25	. . . . . PLENUM ASSY-PASSENGER FSO 2611105-37 . . . . .			NP R
- 14	2611105-37	. . . . . PLENUM ASSY-PASSENGER . . . . .			01
15	2615124-1	. . . . . OUTLET ASSY-OVERHEAD VENT AND LIGHT FSO 2615124-31 . . . . .			NP
- 16	2615124-31	. . . . . OUTLET ASSY-OVERHEAD VENT AND LIGHT . . . . .			02
17	2615124-2	. . . . . OUTLET ASSY-OVERHEAD VENT AND LIGHT FSO 2615124-32 . . . . .			NP
- 18	2615124-32	. . . . . OUTLET ASSY-OVERHEAD VENT AND LIGHT . . . . .			01
19	2615124-3	. . . . . OUTLET ASSY-OVERHEAD VENT AND LIGHT . . . . .			01
20	2615124-4	. . . . . OUTLET ASSY-OVERHEAD VENT AND LIGHT . . . . .			01
21	2615124-5	. . . . . OUTLET ASSY-OVERHEAD VENT AND LIGHT . . . . .			06
22	2615124-7	. . . . . BRACKET-OUTLET USED WITH 2615124-1 AND -2 FSO 2615124-33 . . . . .			NP
- 23	2615124-33	. . . . . BRACKET-OUTLET USED WITH 2615124-1,-2,-32 . . . . .			01
24	2615124-8	. . . . . BRACKET-OUTLET USED WITH 2615124-3 AND -4 . . . . .			01
25	2615124-9	. . . . . BRACKET-OUTLET USED WITH 2615124-5 . . . . .			01
26	X7194	. . . . . OUTLET USED WITH 2615124-1 -2,-4 AND -5 . . . . . VK2962			01
27	2615124-11	. . . . . OUTLET USED WITH 2615124-3 . . . . .			01
		ATTACHING PARTS			
- 28	NAS1149DN432H	. . . . . WASHER . . . . .			04
- 29	NAS1149DN432H	. . . . . WASHER USED WITH 2615124-5 . . . . .			02
		—*—			
30	MS35489-1	. . . . . GROMMET . . . . .			01
31	2515	. . . . . OUTLET-AIR . . . . . V83564			11
- 31A	AV267403	. . . . . OUTLET-AIR ALT FOR 2515 . . . . .			11
32	2615132-1	. . . . . ESCUTCHEON-AIR AND LIGHT . . . . .			11
33	9910588-5	. . . . . DUCT-LH AFT . . . . .			01
34	9910588-4	. . . . . DUCT-RH AFT . . . . .			01
		ATTACHING PARTS			
- 35	MS3367-2-9	. . . . . STRAP . . . . .			02
		—*—			
36	3655	. . . . . TAPE . . . . . V83564			AR
37	9910588-6	. . . . . DUCT-RH AFT . . . . .			01
38	9910588-7	. . . . . DUCT-LH AFT . . . . .			01
		ATTACHING PARTS			
- 39	MS3367-2-9	. . . . . STRAP . . . . .			03
		—*—			

- ITEM NOT ILLUSTRATED



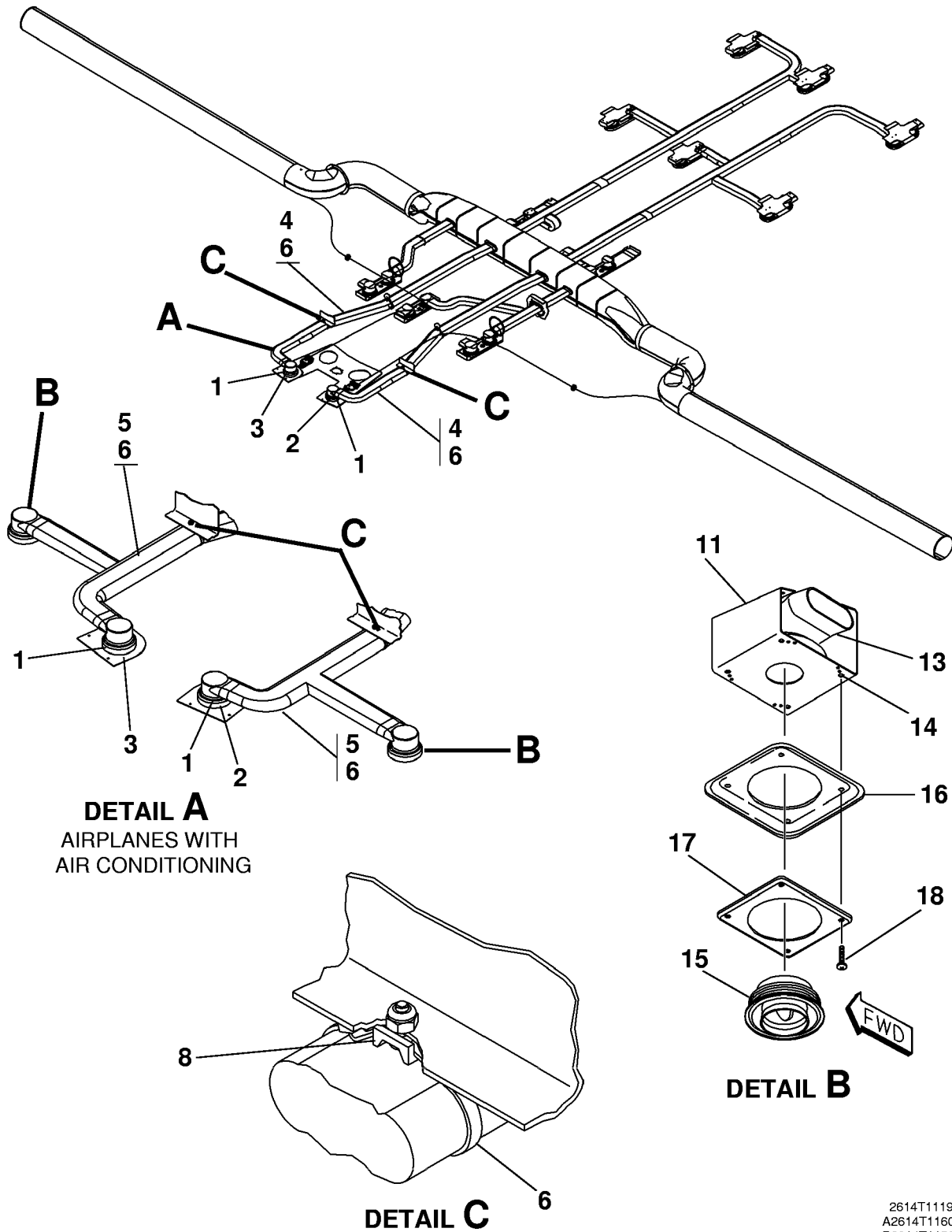
**CESSNA®**  
**MODEL 208**  
**ILLUSTRATED PARTS CATALOG**

FIG ITEM	PART NUMBER	NOMENCLATURE	UNITS
			PER ASSY
		1 2 3 4 5 6 7	
02			
75	2611165-40	. ELBOW ASSY WITHOUT AIR CONDITIONING . . . . .	02
76		. EVAPORATOR INSTALLATION AIR CONDITIONING REFER TO 21-51-00 F1GURE 01 . . . . . ATTACHING PARTS	RF
77	AN3-5A	. BOLT . . . . .	04
78	NAS1149F0332P	. WASHER . . . . .	04
79	MS21044N3	. NUT . . . . . —*—	04
80	2611165-2	. SHIM . . . . .	04
81	2611165-41	. VALVE ASSY-LH WING VENT FSO 2611165-45 . . . . .	NP
- 82	2611165-45	. VALVE ASSY-LH WING VENT . . . . .	01
83	2611165-42	. VALVE ASSY-RH WING VENT FSO 2611165-46 . . . . .	NP R
- 84	2611165-46	. VALVE ASSY-RH WING VENT . . . . .	01
85	2611165-43	. ELBOW ASSY . . . . .	01
86	2611165-18	. SHAFT ASSY-LH VALVE . . . . .	01
- 87	2611165-26	. SHAFT ASSY-RH VALVE . . . . .	01
88	S1438-17	. WASHER . . . . .	01
89	NAS1149F0463P	. WASHER . . . . .	02
90	NAS43HT4-38	. SPACER . . . . .	01
91	2611165-15	. ARM ASSY FSO 2611227-1 . . . . .	NP
- 92	2611227-1	. ARM . . . . . ATTACHING PARTS	01
93	MS16562-16	. PIN . . . . . —*—	01
94	2611165-20	. BUTTERFLY ASSY . . . . . ATTACHING PARTS	01
95	MS35206-231	. SCREW . . . . .	02
96	NAS1149F0632P	. WASHER . . . . . —*—	02
- 97	MS21069L06K	. . . . NUTPLATE . . . . .	02
98	S2323-5	. . . . CLAMP . . . . .	01
99	NAS1149F0332P	. . . . WASHER . . . . .	02
100	MS21042L3	. . . . NUT . . . . .	01
101	MS35489-134	. . . . GROMMET . . . . .	02
102	S2226-1	. . . . CLAMP . . . . . ATTACHING PARTS	02
103	AN3-3A	. BOLT . . . . .	01
104	MS21044N3	. NUT . . . . . —*—	01
105	2611165-23	. DUCT ASSY . . . . .	02
106	360-032-560	. CONVERTER ASSY-LH VENT . . . . . V70436	01
- 107	361-032-523	. CONVERTER ASSY-RH VENT . . . . . V70436 ATTACHING PARTS	01
108	MS24693-S273	. SCREW . . . . .	01
109	NAS1149F0332P	. WASHER . . . . .	01
110	NAS43DD3-10N	. SPACER . . . . .	01
- 110A	NAS43DD3-10FC	. SPACER ALT FOR NAS43DD3-10N . . . . .	01
111	MS21042-3	. NUT . . . . . —*—	01
112	S1398-2	. . . . CASING-CONTROL BKI 77.25 IN LG . . . . .	01
- 113	S1398-1	. . . . WIRE-CONTROL BKI 80.00 IN LG . . . . .	01
- 114	S1399-1	. . . . SPIRAL WRAP BKI 70.00 IN LG . . . . .	02
- 115	2613367-3	. . . . ANGLE-LH . . . . .	01
- 116	2613367-4	. . . . ANGLE-RH . . . . .	01
117	NAS1149F0732P	. WASHER . . . . .	04
118	NT385	. NUT-PAL . . . . .	02
119	S1587-7	. KNOB ASSY . . . . .	02
120	AN565D8H5	. SET SCREW . . . . .	02

- ITEM NOT ILLUSTRATED

CESSNA®  
**MODEL 208**  
 ILLUSTRATED PARTS CATALOG

A25220



**DETAIL A**  
 AIRPLANES WITH  
 AIR CONDITIONING

**DETAIL B**

**DETAIL C**

2614T119A  
 A2614T1160  
 B2614T1156  
 C2614T1153

OVERHEAD VENTILATION SYSTEM PASSENGER VERSION  
 FIGURE 03 (SHEET 1)

**CESSNA®**  
**MODEL 208**  
**ILLUSTRATED PARTS CATALOG**

FIG ITEM	PART NUMBER	NOMENCLATURE	UNITS		
			1	2	PER ASSY
03		OVERHEAD VENTILATION SYSTEM PASSENGER VERSION			
-		. OUTLET-AIR . . . . . V83564	B0280	& ON	RF
1	3060	. OUTLET-AIR VALVE DISC TYP 1.5 ID ALT FOR 3060 . . . . .			02
- 1A	AV467401	. OUTLET ASSY-LH FSO 2615124-69 . . . . .	B0280	B0326	NP
2	2615124-13	. OUTLET ASSY-LH FOR SPARES ONLY . . . . .			01
- 2A	2615124-69	. OUTLET ASSY-RH FSO 2615124-70 . . . . .	B0280	B0326	NP
3	2615124-14	. OUTLET ASSY-RH FOR SPARES ONLY . . . . .			01
- 3A	2615124-70	. DUCT-PILOT/COPILOT WITHOUT AIR CONDITIONING . . . . .			02
4	9910588-1	. DUCT-PILOT/COPILOT WITH AIR CONDITIONING REFER TO NOTE 1 AND NOTE 2 AND NOTE 3 . . . . .			02 R
5	9910588-15	. DUCT-REFER TO NOTE 1 AND NOTE 2 AND NOTE 3 . . . . .			02 R
- 5A	9910588-10	. STRAP WITHOUT AIR CONDITIONING . . . . .			04
6	MS3367-2-9	. STRAP WITH AIR CONDITIONING REFER TO NOTE 1 AND NOTE 2 . . . . .			05 R
- 7	MS3367-2-9	—*—			
8	S1742-1	. STA-STRAP . . . . .			02
- 9	MS35206-247	. ATTACHING PARTS . . . . .			
9	MS35206-247	. SCREW . . . . .			01 R
- 10	MS21044N08	. NUT . . . . .			01
-		—*—			
11	2613405-5	. BRACKET ASSY-LH WITH AIR CONDITIONING . . . . .	B0280	B1071	01 R
- 11A	2613405-9	. BRACKET ASSY-LH WITH AIR CONDITIONING REFER TO NOTE 1 AND NOTE 2 AND NOTE 3 . . . . .	B1072	& ON	01 R
- 12	2613405-6	. BRACKET ASSY-RH WITH AIR CONDITIONING . . . . .	B0280	B1071	01 R
- 12A	2613405-10	. BRACKET ASSY-RH WITH AIR CONDITIONING REFER TO NOTE 1 AND NOTE 2 AND NOTE 3 . . . . .	B1072	& ON	01 R
13	X7194	. OUTLET . . . . . VK2962			01
14	NAS696A08	. NUT . . . . .			04
15	3060	. OUTLET-AIR . . . . . V83564			02
- 15A	AV467401	. OUTLET-AIR VALVE DISC TYP 1.5 ID ALT FOR 3060 REFER TO NOTE 1 AND NOTE 2 AND NOTE 3 . . . . .			02 R
16	2613406-5	. TRIM REFER TO NOTE 1 AND NOTE 2 AND NOTE 3 . . . . .			02 R
17	2613406-4	. COVER ASSY REFER TO NOTE 1 AND NOTE 2 AND NOTE 3 . . . . .			02 R
18	MS35206-247	. ATTACHING PARTS . . . . .			
		. SCREW REFER TO NOTE 1 AND NOTE 2 AND NOTE 3 . . . . .			04 R
		—*—			

NOTE 1—AIRPLANES -B0208 AND ON AND -B0214 THRU -B1189, -B1191 THRU -B1215, AND -B1217 THRU -B1999 INCORPORATING SK208-157A

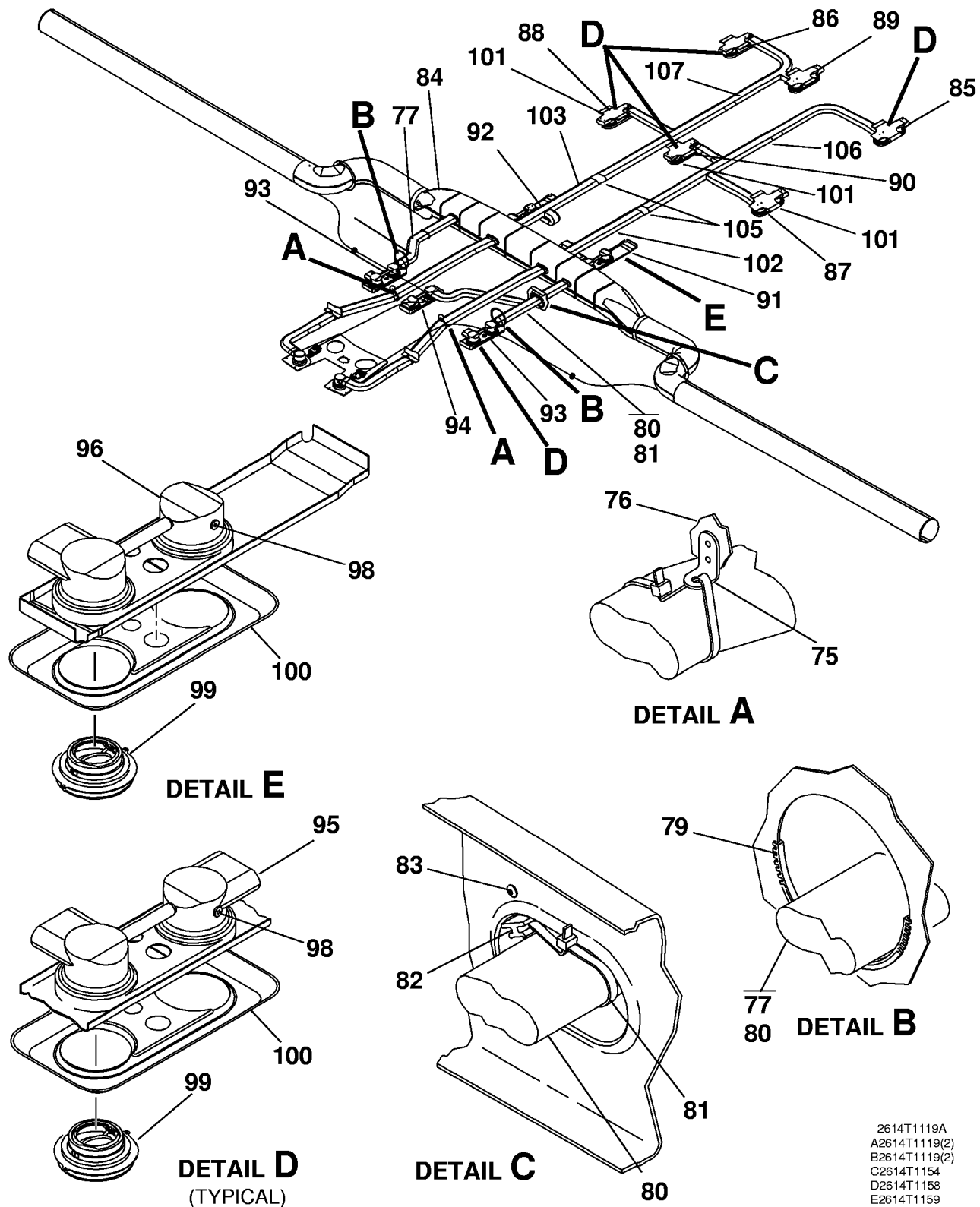
NOTE 2—AIRPLANES -B0208 AND ON AND AIRPLANES -B001 THRU -B4999 INCORPORATING CAB-21-03 R

NOTE 3—AIRPLANES -B5000 AND ON INCORPORATING CAB-21-04. R



CESSNA®  
**MODEL 208**  
 ILLUSTRATED PARTS CATALOG

A25221



OVERHEAD VENTILATION SYSTEM PASSENGER VERSION  
 FIGURE 03 (SHEET 2)

2614T1119A  
 A2614T1119(2)  
 B2614T1119(2)  
 C2614T1154  
 D2614T1158  
 E2614T1159

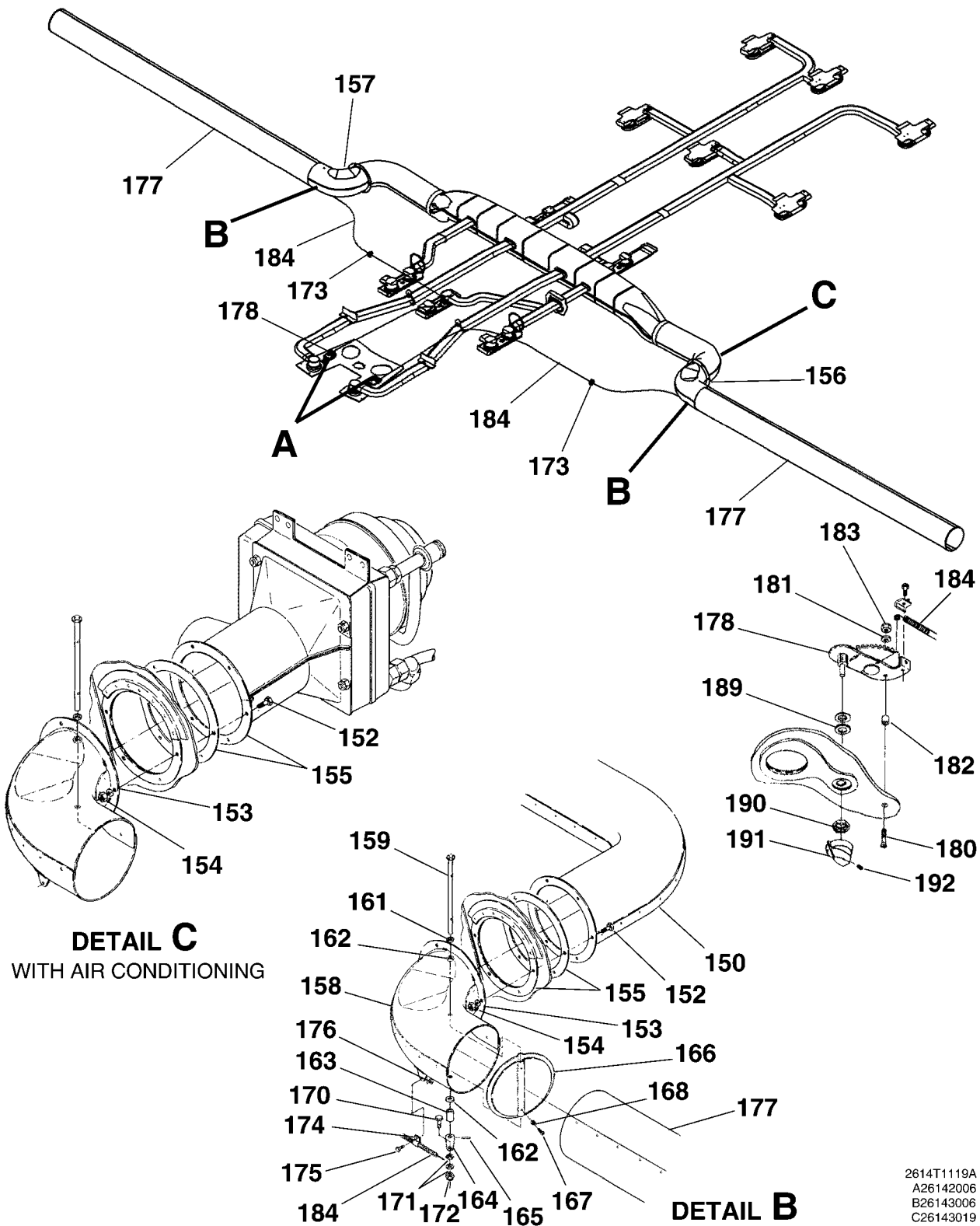
**CESSNA®**  
**MODEL 208**  
**ILLUSTRATED PARTS CATALOG**

FIG ITEM	PART NUMBER	NOMENCLATURE	UNITS	
			PER	ASSY
03				
75	MS3367-2-9	. STRAP . . . . .		02
76	AN743-13	. BRACKET . . . . .		02
77	9910588-8	. DUCT-RH FWD . . . . . ATTACHING PARTS		01
- 78	MS3367-2-9	. STRAP . . . . . —*—		02
79	S1050-1	. GROMMET BKI 5.40 IN LG . . . . .		02
80	9910588-9	. DUCT-LH FWD . . . . . ATTACHING PARTS		01
81	MS3367-2-9	. STRAP . . . . . —*—		03
82	S4132-1	. ANCHOR . . . . . ATTACHING PARTS		01
83	S1021Z8-8	. SCREW . . . . . —*—		01
84	2611105-37	. PLENUM ASSY-PASSENGER . . . . .		01
85	2615124-15	. OUTLET ASSY-OVERHEAD VENT AND LIGHT FSO 2615124-71 . . . . .	B0280 B1071	NP
- 85A	2615124-71	. OUTLET ASSY-OVERHEAD VENT AND LIGHT . . . . .	B1072 & ON	01
86	2615124-16	. OUTLET ASSY-OVERHEAD VENT AND LIGHT FSO 2615124-72 . . . . .	B0280 B1071	NP
- 86A	2615124-72	. OUTLET ASSY-OVERHEAD VENT AND LIGHT . . . . .	B1072 & ON	01
87	2615124-17	. OUTLET ASSY-OVERHEAD VENT AND LIGHT FSO 2615124-73 . . . . .	B0280 B1071	NP
- 87A	2615124-73	. OUTLET ASSY-OVERHEAD VENT AND LIGHT . . . . .	B1072 & ON	01
88	2615124-18	. OUTLET ASSY-OVERHEAD VENT AND LIGHT FSO 2615124-74 . . . . .	B0280 B1071	NP
- 88A	2615124-74	. OUTLET ASSY-OVERHEAD VENT AND LIGHT . . . . .	B1072 & ON	01
89	2615124-19	. OUTLET ASSY-OVERHEAD VENT AND LIGHT FSO 2615124-75 . . . . .	B0280 B1071	NP
- 89A	2615124-75	. OUTLET ASSY-OVERHEAD VENT AND LIGHT . . . . .	B1072 & ON	01
90	2615124-20	. OUTLET ASSY-OVERHEAD VENT AND LIGHT FSO 2615124-76 . . . . .	B0280 B1071	NP
- 90A	2615124-76	. OUTLET ASSY-OVERHEAD VENT AND LIGHT . . . . .	B1072 & ON	01
91	2615124-21	. OUTLET ASSY-OVERHEAD VENT AND LIGHT FSO 2615124-77 . . . . .	B0280 B1071	NP
- 91A	2615124-77	. OUTLET ASSY-OVERHEAD VENT AND LIGHT . . . . .	B1072 & ON	01
92	2615124-22	. OUTLET ASSY-OVERHEAD VENT AND LIGHT FSO 2615124-78 . . . . .	B0280 B1071	NP
- 92A	2615124-78	. OUTLET ASSY-OVERHEAD VENT AND LIGHT . . . . .	B1072 & ON	01
93	2615124-31	. OUTLET ASSY-OVERHEAD VENT AND LIGHT FSO 2615124-86 . . . . .	B0280 B1071	NP
- 93A	2615124-86	. OUTLET ASSY-OVERHEAD VENT AND LIGHT . . . . .	B1072 & ON	02
94	2615124-32	. OUTLET ASSY-OVERHEAD VENT AND LIGHT FSO 2615124-87 . . . . .	B0280 B1071	NP
- 94A	2615124-87	. OUTLET ASSY-OVERHEAD VENT AND LIGHT . . . . .	B1072 & ON	01
95	X7194	. . . . . OUTLET . . . . . VK2962		01
96	2615124-11	. . . . . OUTLET USED WITH 2615124-21 . . . . . ATTACHING PARTS		01
- 97	NAS1149DN432H	. . . . . WASHER . . . . .		04
98	MS35489-1	. . . . . GROMMET . . . . .		01
99	2515	. . . . . OUTLET-AIR . . . . . V83564		11
- 99A	AV267403	. . . . . OUTLET-AIR ALT FOR 2515 . . . . .		11
100	2615132-1	. . . . . ESCUTCHEON-AIR AND LIGHT . . . . .		11
101	2615124-29	. . . . . SPACER . . . . .		03
102	9910588-5	. . . . . DUCT-LH AFT . . . . .		01
103	9910588-4	. . . . . DUCT-RH AFT . . . . . ATTACHING PARTS		01
- 104	MS3367-2-9	. STRAP . . . . . —*—		02
105	3655	. . . . . TAPE . . . . . V83564		AR
106	9910588-7	. . . . . DUCT-LH AFT . . . . .		01
107	9910588-6	. . . . . DUCT-RH AFT . . . . . ATTACHING PARTS		01
- 108	MS3367-2-9	. STRAP . . . . . —*—		03

- ITEM NOT ILLUSTRATED

CESSNA®  
**MODEL 208**  
 ILLUSTRATED PARTS CATALOG

A25224



OVERHEAD VENTILATION SYSTEM PASSENGER VERSION  
 FIGURE 03 (SHEET 3)

2614T1119A  
 A26142006  
 B26143006  
 C26143019

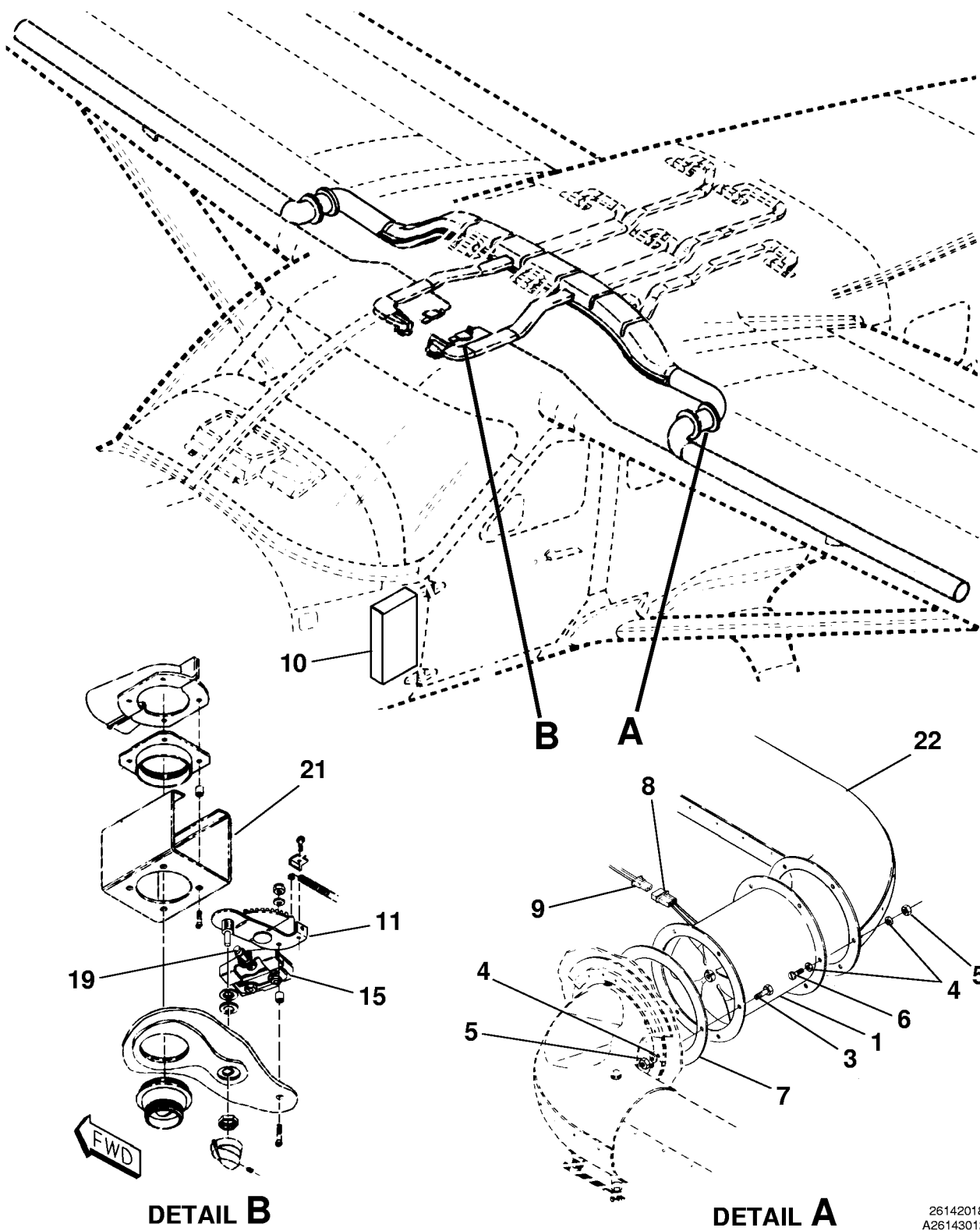
**CESSNA®**  
**MODEL 208**  
**ILLUSTRATED PARTS CATALOG**

FIG ITEM	PART NUMBER	NOMENCLATURE	UNITS PER ASSY		
			1	2	3
03					
150	2611165-40	. ELBOW ASSY WITHOUT AIR CONDITIONING . . . . .	B0280	B0928	02
- 151		. EVAPORATOR INSTALLATION REFER TO 21-51-03 FIGURE 01 . . . . . ATTACHING PARTS			RF
152	AN3-5A	. BOLT . . . . .	B0280	B1218	04
- 152A	AN3-5A	. BOLT . . . . .	B1219	& ON	06
153	NAS1149F0332P	. WASHER . . . . .	B0280	B1218	04
- 153A	NAS1149F0332P	. WASHER . . . . .	B1219	& ON	06
154	MS21044N3	. NUT . . . . .	B0280	B1218	04
- 154A	MS21044N3	. NUT . . . . . —*—	B1219	& ON	06
155	2611165-2	. SHIM . . . . .			04
156	2611165-41	. VALVE ASSY-WING VENT LH FSO 2611165-45 . . . . .	B0280	B0312	NP
- 156A	2611165-45	. VALVE ASSY-WING VENT LH . . . . .	B0313	& ON	01
157	2611165-42	. VALVE ASSY-WING VENT RH FSO 2611165-46 . . . . .	B0280	B0312	NP
- 157A	2611165-46	. VALVE ASSY-WING VENT RH . . . . .	B0313	& ON	01
158	2611165-43	. ELBOW ASSY . . . . .			01
159	2611165-18	. SHAFT ASSY-LH VALVE . . . . .			01
- 160	2611165-26	. SHAFT ASSY-RH VALVE . . . . .			01
161	S1438-17	. WASHER . . . . .			01
162	NAS1149F0463P	. WASHER . . . . .			02
163	NAS43HT4-38	. SPACER . . . . .			01
164	2611165-15	. ARM ASSY FSO 2611227-1 . . . . .	B0001	B0312	NP
- 164A	2611227-1	. ARM . . . . . ATTACHING PARTS	B0313	& ON	01
165	MS16562-16	. PIN . . . . . —*—			01
166	2611165-20	. BUTTERFLY ASSY . . . . . ATTACHING PARTS			01
167	MS35206-231	. SCREW . . . . .			02
168	NAS1149F0632P	. WASHER . . . . . —*—			02
- 169	MS21069L06K	. NUTPLATE . . . . .			02
170	S2323-5	. CLAMP . . . . .			01
171	NAS1149F0332P	. WASHER . . . . .			02
172	MS21042L3	. NUT . . . . .			01
173	MS35489-134	. GROMMET . . . . .			02
174	S2226-1	. CLAMP . . . . . ATTACHING PARTS			02
175	AN3-3A	. BOLT . . . . .			01
176	MS21044N3	. NUT . . . . . —*—			01
177	2611165-23	. DUCT ASSY . . . . .			02
178	360-032-560	. CONVERTER ASSY-LH VENT . . . . . V70436			01
- 179	361-032-523	. CONVERTER ASSY-RH VENT . . . . . V70436 ATTACHING PARTS			01
180	MS24693-S273	. SCREW . . . . .			01
181	NAS1149F0332P	. WASHER . . . . .			01
182	NAS43DD3-10N	. SPACER . . . . .			01
- 182A	NAS43DD3-10FC	. SPACER ALT FOR NAS43DD3-10N . . . . .			01
183	MS21042-3	. NUT . . . . . —*—			01
184	S1398-2	. CASING-CONTROL BKI 77.25 IN LG . . . . .			01
- 185	S1398-1	. WIRE-CONTROL BKI 80.00 IN LG . . . . .			01
- 186	S1399-1	. SPIRAL WRAP BKI 70.00 IN LG . . . . .			02
- 187	2613367-3	. ANGLE-LH . . . . .			01
- 188	2613367-4	. ANGLE-RH . . . . .			01
- 189	NAS1149F0732P	. WASHER . . . . .			04
190	NT385	. NUT-PAL . . . . .			02
191	S1587-7	. KNOB . . . . .			02
192	AN565D8H5	. SET SCREW . . . . .			02

- ITEM NOT ILLUSTRATED

CESSNA®  
**MODEL 208**  
ILLUSTRATED PARTS CATALOG

A25197



**DETAIL B**

**DETAIL A**

VENTILATION FAN INSTALLATION  
FIGURE 01 (SHEET 1)

26142018  
A26143012  
B26142005

**CESSNA®**  
**MODEL 208**  
**ILLUSTRATED PARTS CATALOG**

FIG ITEM	PART NUMBER	NOMENCLATURE	UNITS		
			PER	ASSY	
01		VENTILATION FAN INSTALLATION REFER TO NOTE 1			
-			0001	& ON	RF
			B0214	& ON	
1	33E83-2	. BLOWER ASSY-VENTILATION REFER TO NOTE 2 . . . . . V89513	0001	0499	02
			B0214	B1999	
- 1A	2601040-3	. VENT BLOWER ASSY ZL002 . . . . .	0500	& ON	01
			B2000	& ON	
- 1B	2601040-3	. VENT BLOWER ASSY ZR002 . . . . .	0500	& ON	01
			B2000	& ON	
- 1C	33E83-2	. . BLOWER ASSY-VENTILATION REFER TO NOTE 2 . . . . . V89513	0001	0499	02
			B0214	B1999	
- 2	0901-1	. BLOWER ASSY-VENTILATION ALT FOR 33E83-2. . . . . V34163			02
		ATTACHING PARTS			
3	AN3-5A	. BOLT . . . . .			04
4	NAS1149F0332P	. WASHER . . . . .			16
5	MS21042L3	. NUT . . . . .			10
6	MS35207-262	. SCREW . . . . .			06
		—*—			
7	2611165-2	. SHIM . . . . .			01
8	S2035-1	. HOUSING-CAP . . . . .	0001	0499	01
			B0001	B1999	
- 8A	2677013-5	. WBA-VENT BLOWER . . . . .	0500	& ON	01
			B2000	& ON	
9	S2035-2	. HOUSING-PLUG . . . . .	0001	0499	01
			B0214	B1999	
- 9A	2677013-2	. WBA-BLOWER SWITCHES . . . . .	0500	& ON	01
			B2000	& ON	
10		. CIRCUIT BREAKER REFER TO 24-50-01 FIGURE 02 . . . . .	0001	0499	RF
			B0214	B1999	
- 10A		. CIRCUIT BREAKER REFER TO 24-50-01 FIGURE 03 . . . . .	0500	& ON	RF
			B2000	& ON	
11	360-032-561	. CONTROL ASSY-LH FRESH AIR WITH FAN . . . . . V70436			01
- 12	361-032-525	. CONTROL ASSY-RH FRESH AIR WITH FAN . . . . . V70436			01
- 13	2613367-3	. ANGLE-LH REFER TO NOTE 3 . . . . .			01
- 14	2613367-4	. ANGLE-RH REFER TO NOTE 3 . . . . .			01
15	2613306-17	. MOUNT-SWITCH . . . . .			02
		ATTACHING PARTS			
- 16	MS24693-S7	. SCREW . . . . .			02
- 17	MS35338-40	. WASHER . . . . .			02
- 18	MS35649-244	. NUT . . . . .			02
		—*—			
19	BA3ST	. SWITCH-VENTILATION FAN . . . . . V91929	0001	0499	02
			B0214	B1999	
- 19A	BA3ST	. SWITCH-VENTILATION FAN SC020 . . . . . V91929	0500	& ON	01
			B2000	& ON	
- 19B	BA3ST	. SWITCH-VENTILATION FAN SC021 . . . . . V91929	0500	& ON	01
			B2000	& ON	
- 20	MCA2711	. ACTUATOR . . . . . V91929			02
21		. CABIN VENTILATION SYSTEM REFER TO 21-21-01 FIGURE 01 AND 21-21-03 FIGURE 02 . . . . .			RF
22	2611165-39	. ELBOW ASSY . . . . .			01 R

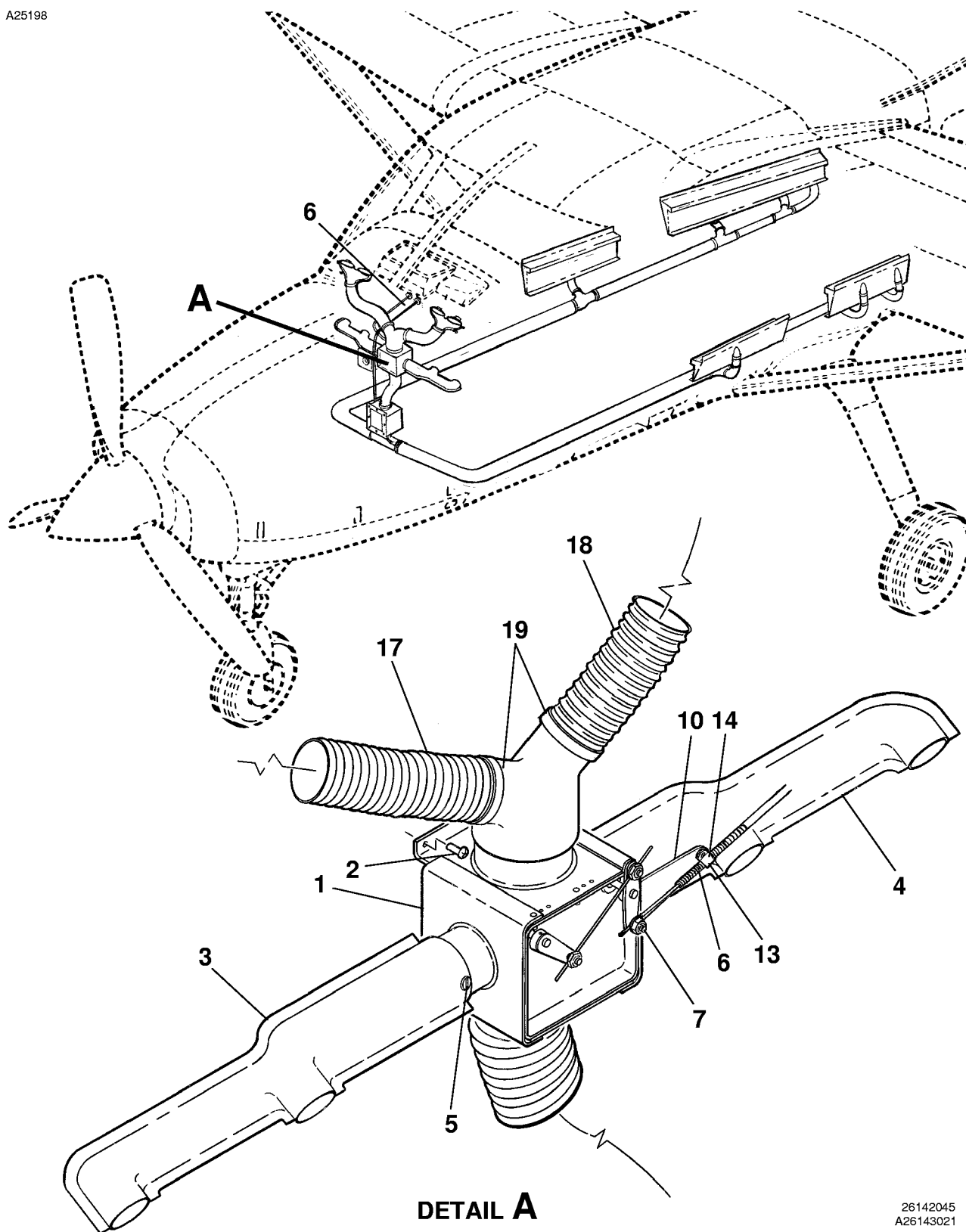
NOTE 1—VENTILATION FAN IS NOT AVAILABLE ON AIRCRAFT EQUIPPED WITH AIR CONDITIONING

NOTE 2—REFER TO THE MAINTENANCE MANUAL FOR THE SUPPLIER PUBLICATION LIST.

NOTE 3—ANGLES ARE TO BE USED ON THE OPTIONAL VENTILATION FAN INSTALLATION

CESSNA®  
MODEL 208  
ILLUSTRATED PARTS CATALOG

A25198



**DETAIL A**

CABIN HEATING AND DEFROSTING SYSTEM  
FIGURE 01 (SHEET 1)

26142045  
A26143021

CESSNA®  
**MODEL 208**  
 ILLUSTRATED PARTS CATALOG

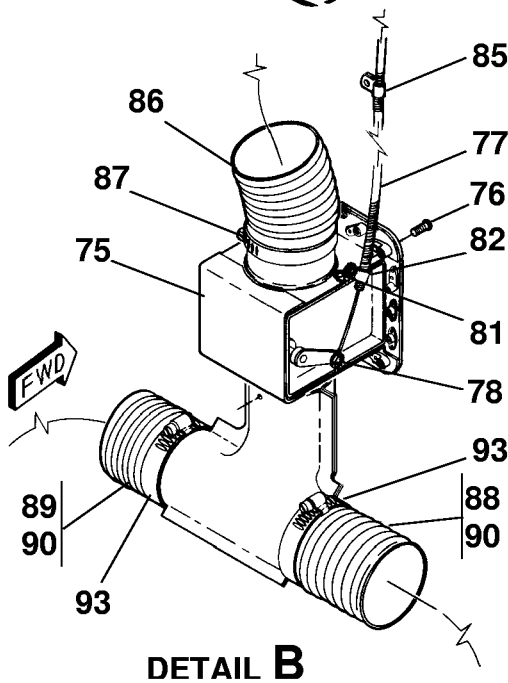
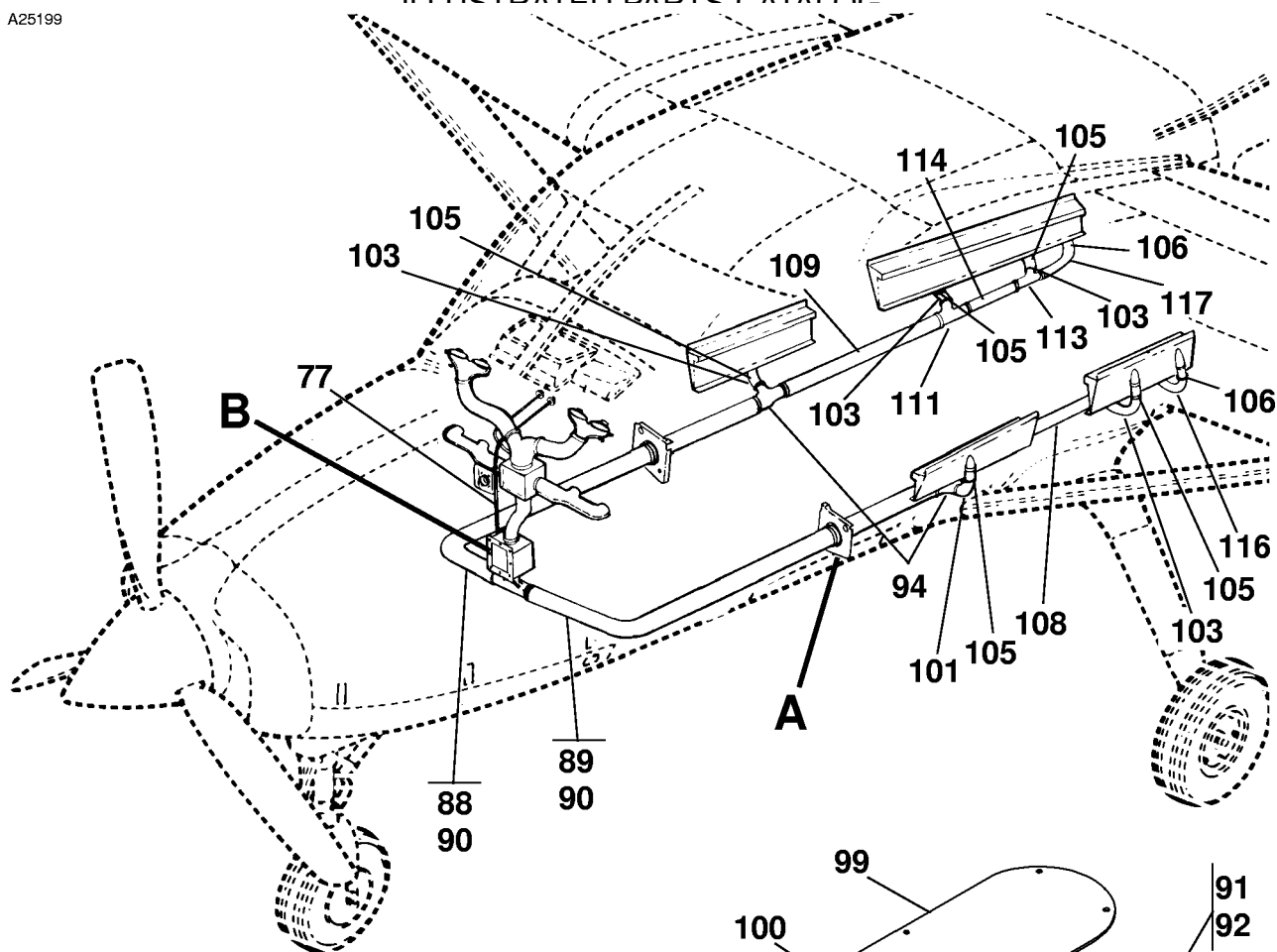
FIG ITEM	PART NUMBER	NOMENCLATURE	UNITS		
			1	2	PER ASSY
01		CABIN HEATING AND DEFROSTING SYSTEM			
-		. VALVE ASSY-DEFROST REFER TO 21-22-03 FIGURE 01 . . . . .	0001	0572	RF
1		. ATTACHING PARTS			RF
2	MS35206-243	. SCREW . . . . .			04
		—*—			
3	2613184-13	. DUCT ASSY-LH HEATER . . . . .			01
4	2613184-14	. DUCT ASSY-RH HEATER . . . . .			01
		. ATTACHING PARTS			
5	S1021A8-8	. SCREW . . . . .			02
		—*—			
6	S1241-50	. CONTROL ASSY-DEFROST ALT FOR S1241-58 . . . . .			01
- 6A	S1241-58	. CONTROL ASSY-DEFROST . . . . .			01
		. ATTACHING PARTS			
7	S2323-5	. CLAMP . . . . .			01
- 8	NAS1149F0332P	. WASHER . . . . .			01
- 9	MS20365-1032C	. NUT . . . . .			01
		—*—			
10	2613184-30	. BRACKET . . . . .			01
		. ATTACHING PARTS			
- 11	MS35206-228	. SCREW . . . . .			02
- 12	MS21042-06	. NUT . . . . .			02
		—*—			
13	MS21919WDG4	. CLAMP . . . . .			01
		. ATTACHING PARTS			
14	AN3-4A	. BOLT . . . . .			01
- 15	NAS1149F0332P	. WASHER . . . . .			01
- 16	MS21044N3	. NUT . . . . .			01
		—*—			
17	S1053K16W	. DUCT-LH BKI 17.00 IN LG DEFROST VALVE TO NOZZLE . . . . .			01
18	S1053K16W	. DUCT-RH BKI 11.00 IN LG DEFROST VALVE TO NOZZLE . . . . .			01
		. ATTACHING PARTS			
19	S1891-32S	. CLAMP . . . . .			02
		—*—			

- ITEM NOT ILLUSTRATED

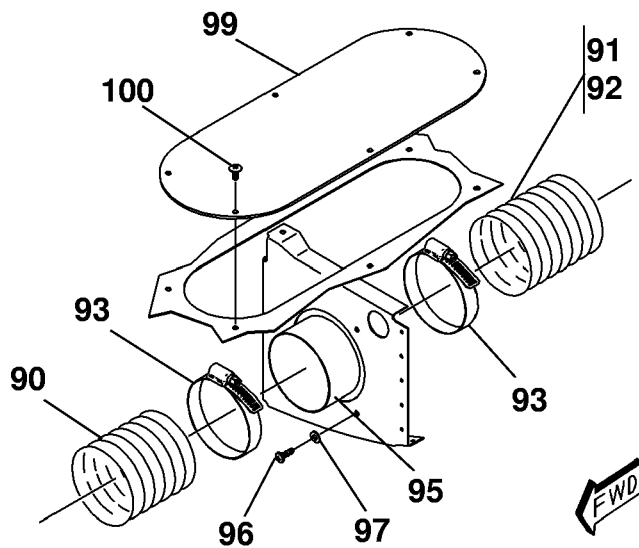


CESSNA®  
**MODEL 208**  
 ILLUSTRATED PARTS CATALOG

A25199



**DETAIL B**



**DETAIL A**

208 CONVERTED FROM 208A ONLY

CABIN HEATING AND DEFROSTING SYSTEM  
 FIGURE 01 (SHEET 2)

26142045A  
 A2614T1151  
 B26142038

**CESSNA®  
MODEL 208  
ILLUSTRATED PARTS CATALOG**

FIG ITEM	PART NUMBER	NOMENCLATURE	UNITS
			PER ASSY
01			
75		. VALVE ASSY-CABIN HEAT REFER TO 21-22-03 FIGURE 01 . . . . .	RF
		ATTACHING PARTS	
76	MS35206-243	. SCREW . . . . .	08
		—*—	
77	S1241-56	. CONTROL-CABIN HEAT . . . . .	01
78	S2323-5	. CLAMP . . . . .	01
- 79	NAS1149F0332P	. WASHER . . . . .	01
- 80	MS20365-1032C	. NUT . . . . .	01
81	AN743-12	. BRACKET . . . . .	01
82	MS21919WDG4	. CLAMP . . . . .	01
- 83	MS35206-242	. SCREW . . . . .	02
- 84	MS21044N08	. NUT . . . . .	02
85	MS21919WDG4	. CLAMP . . . . .	02
86	S1053K24W	. DUCT BKI 9.00 IN LG HEATER VALVE TO DEFROSTER VALVE . . . . .	01
87	S1891-48S	. CLAMP . . . . .	02
88	S1053K24W	. DUCT-RH BKI 98.00 IN LG HEATER VALVE TO WYE ASSY FSO S4425-24-400-04 . . . . .	NP R
- 88A	S4425-24-400-04	. DUCT-RH IN LG HEATER VALVE TO WYE ASSY . . . . .	01 R
89	S1053K24W	. DUCT-LH BKI 90.00 IN LG HEATER VALVE TO WYE ASSY FSO S4425-24-380-04 . . . . .	NP R
- 89A	S4425-24-380-04	. DUCT-LH 90.00 IN LG HEATER VALVE TO WYE ASSY . . . . .	01 R
90	S1053K24W	. DUCT-BKI 68.00 IN LG WYE TO TUBE ASSY FSO S4425-24-272-04 REFER TO NOTE 1 . . . . .	NP R
- 90A	S4425-24-272-04	. DUCT-68.00 IN LG WYE TO TUBE ASSY . . . . .	02 R
91	S1053K24W	. DUCT-LH BKI 22.00 IN LG TUBE ASSY TO WYE ASSY FSO S4425-24-088-04 REFER TO NOTE 1 . . . . .	02 R
- 91A	S4425-24-088-04	. DUCT-LH 22.00 IN LG TUBE ASSY TO WYE ASSY . . . . .	02 R
92	S1053K24W	. DUCT-RH BKI 30.00 IN LG TUBE ASSY TO WYE ASSY FSO S4425-24-120-04 REFER TO NOTE 1 . . . . .	NP R
- 92A	S4425-24-120-04	. DUCT-RH 30.00 IN LG TUBE ASSY TO WYE ASSY . . . . .	01 R
93	S1891-48S	. CLAMP . . . . .	02
94	2613356-1	. WYE ASSY FSO S4429-1 . . . . .	NP R
95	2609056-2	. TUBE ASSY REFER TO NOTE 1 . . . . .	02
		ATTACHING PARTS	
96	MS35206-264	. SCREW . . . . .	04
97	NAS1149F0332P	. WASHER . . . . .	04
		—*—	
- 98	MS21069L3	. NUTPLATE . . . . .	04
99	2611058-6	. COVER-ACCESS REFER TO NOTE 1 . . . . .	02
		ATTACHING PARTS	
100	AN525-10R7	. SCREW . . . . .	06
		—*—	
101	S1053K10W	. DUCT-LH BKI 14.00 IN LG WYE TO PLENUM . . . . .	01
- 102	S1891-20S	. CLAMP . . . . .	02
103	S1053K10W	. DUCT-BKI 16.00 IN LG FSO S4425-10-064-04 . . . . .	NP R
- 103A	S4425-10-064-04	. DUCT-BKI 16.00 IN LG . . . . .	04 R
- 104	S1891-20S	. CLAMP . . . . .	02
105	S1050-1	. GROMMET BKI 5.42 IN LG . . . . .	05
106	S1050-2	. GROMMET BKI 1.80 IN LG . . . . .	02
- 107	S1050-1	. GROMMET BKI 3.00 IN LG . . . . .	02
108	S1053K16W	. DUCT-LH BKI 36.00 IN LG WYE TO WYE FSO S4425-16-144-04 . . . . .	NP R
- 108A	S4425-16-144-04	. DUCT-LH 36.00 IN LG WYE TO WYE . . . . .	01 R
109	S1053K16W	. DUCT-RH BKI 31.00 IN LG WYE TO WYE FSO S4425-16-120-04 . . . . .	NP R
- 109A	S4425-16-120-04	. DUCT-RH 31.00 IN LG WYE TO WYE . . . . .	01 R
- 110	S1891-48S	. CLAMP . . . . .	02
111	2613357-1	. WYE ASSY-RH FSO S4429-2 . . . . .	NP R
- 112	2613222-1	. WYE ASSY-LH FSO S4429-3 . . . . .	NP R
113	2613222-1	. WYE-RH FSO S4429-3 . . . . .	NP R
114	S1053K16W	. DUCT-RH BKI 12.00 IN LG WYE TO WYE FSO S4425-16-040-04 . . . . .	NP R
- 114A	S4425-16-040-04	. DUCT-RH BKI 12.00 IN LG WYE TO WYE . . . . .	01 R
- 115	S1891-32S	. CLAMP . . . . .	02
116	S1053K10W	. DUCT-LH BKI 26.00 IN LG WYE TO PLENUM FSO S4425-10-100-04 . . . . .	NP R
- 116A	S4425-10-100-04	. DUCT-LH BKI 26.00 IN LG WYE TO PLENUM . . . . .	01 R
117	S1053K10W	. DUCT-RH BKI 17.00 IN LG WYE TO PLENUM FSO S4425-10-088-04 . . . . .	NP R
- 117A	S4425-10-088-04	. DUCT-RH BKI 17.00 IN LG WYE TO PLENUM . . . . .	01 R
- 118	S1891-20S	. CLAMP . . . . .	02

NOTE 1—AIRPLANES -0007 AND ON THAT HAVE BEEN CONVERTED FROM 208A



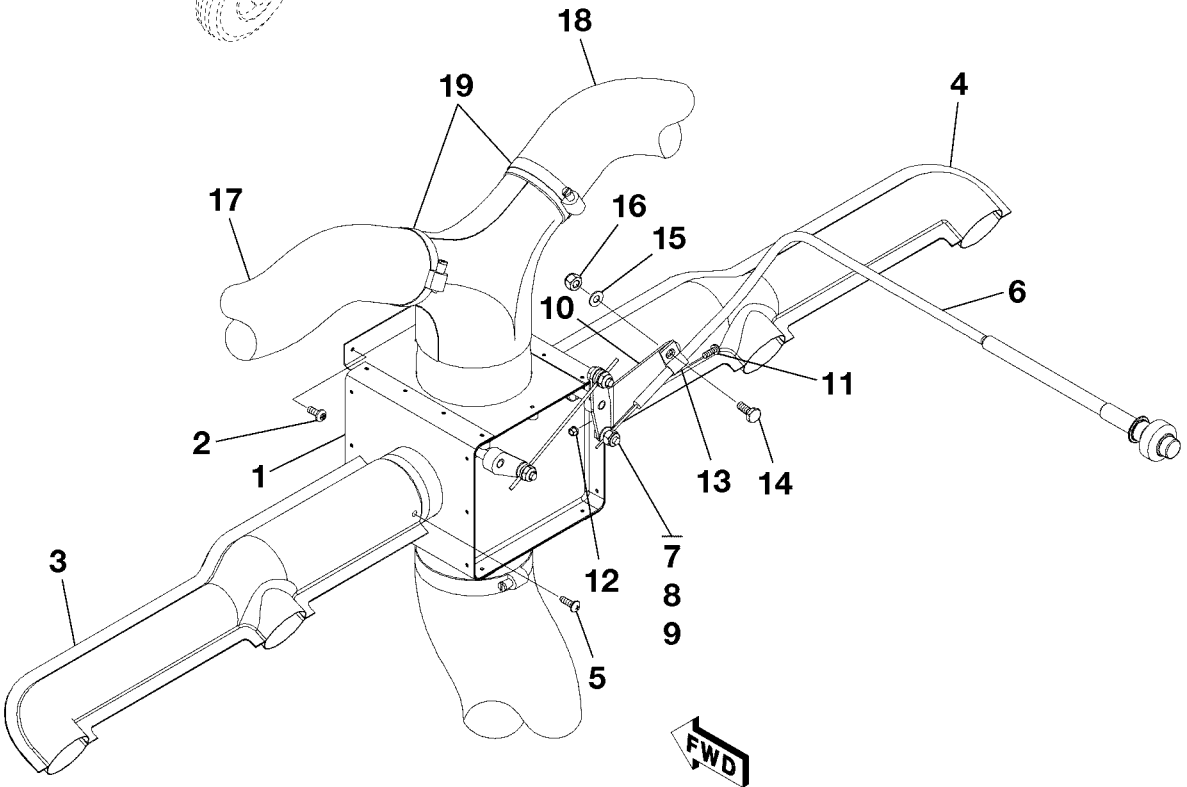
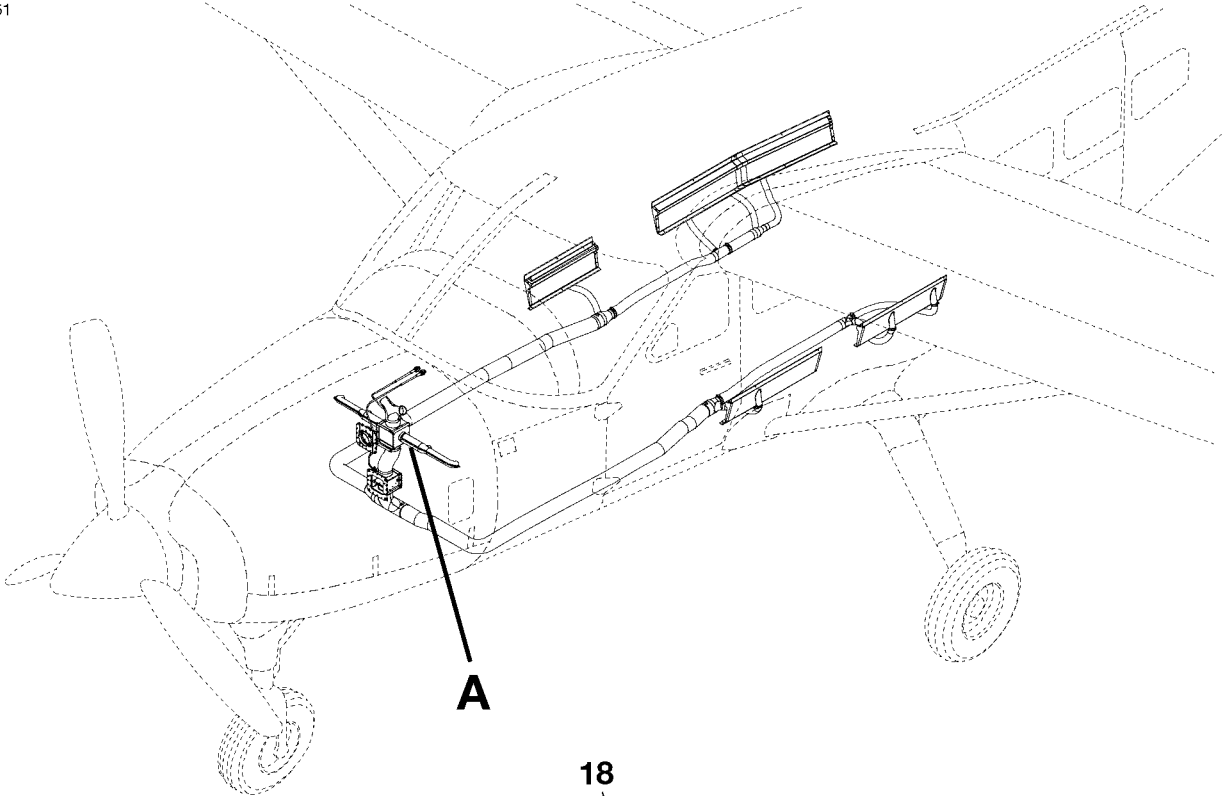
**CESSNA®**  
**MODEL 208**  
**ILLUSTRATED PARTS CATALOG**

FIG ITEM	PART NUMBER	NOMENCLATURE	UNITS		
			PER	ASSY	
01					
150	2615111-1	. PLENUM-LH FORWARD HEATER DUCT . . . . .	0001	0312	01
- 150A	2615111-45	. PLENUM-LH FORWARD HEATER DUCT . . . . .	0313	& ON	01
151	2615111-2	. PLENUM-RH FORWARD HEATER DUCT . . . . .	0001	0312	01
- 151A	2615111-46	. PLENUM-RH FORWARD HEATER DUCT . . . . .	0313	& ON	01
		ATTACHING PARTS			
- 152	AN525-832R6	. SCREW . . . . .			04
		—*—			
153	2615111-14	. . . END CAP-FWD . . . . .			01
154	2615111-15	. . . END CAP-AFT . . . . .			01
		ATTACHING PARTS			
- 155	S1021Z4-4B	. . . SCREW . . . . .			08
		—*—			
156	2615111-3	. PLENUM-HEATER DUCT LH AFT . . . . .			01
		ATTACHING PARTS			
- 157	AN525-832R6	. SCREW . . . . .			05
		—*—			
158	2615111-14	. . . END CAP-FWD . . . . .			01
159	2615111-16	. . . END CAP-AFT . . . . .			01
		ATTACHING PARTS			
- 160	S1021Z4-4B	. . . SCREW . . . . .			08
		—*—			
161	2615111-4	. PLENUM-HEATER DUCT RH AFT . . . . .			01
		ATTACHING PARTS			
- 162	AN525-832R6	. SCREW . . . . .			09
		—*—			
163	2615111-15	. . . END CAP-FWD . . . . .			01
164	2615111-19	. . . END CAP-AFT . . . . .			01
		ATTACHING PARTS			
- 165	S1021Z4-4B	. . . SCREW . . . . .			08
		—*—			
166	2613289-1	. . NOZZLE ASSY-LH DEFROST FSO 2613289-21 . . . . .	0001	0201	NP
- 167	2613289-21	. . NOZZLE ASSY-LH DEFROST . . . . .	0202	& ON	01
168	2613289-2	. . NOZZLE ASSY-RH DEFROST FSO 2613289-22 . . . . .	0001	0201	NP
- 169	2613289-22	. . NOZZLE ASSY-RH DEFROST . . . . .	0202	& ON	01
		ATTACHING PARTS			
- 170	MS35207-260	. . . SCREW . . . . .			02
171	2613204-3	. . . SPACER ASSY . . . . .			01
172	NAS43DD3-12N	. . . SPACER . . . . .			01
- 173	NAS43DD3-12FC	. . . SPACER ALT FOR NAS43DD3-12N . . . . .			01
174	AN3-30	. . . BOLT . . . . .			01
		—*—			
- 175	MS21047L3K	. . . NUTPLATE . . . . .			02
176	2613289-13	. . . BRACKET ASSY . . . . .			01
177	2613289-11	. . . BRACKET ASSY . . . . .			01
- 178	S1741-1	. . . ANCHOR-WIRE BUNDLE . . . . .			01
179	2613352-3	. . MOUNT ASSY-RETURN AIR DUCT . . . . .			01
180	MS21059L3	. . . NUTPLATE . . . . .			15
181	MS21061L3	. . . NUTPLATE . . . . .			01
182	MS21047L06	. . . NUTPLATE . . . . .			04
183	2613352-7	. . FLANGE-RETURN AIR DUCT . . . . .			01
		ATTACHING PARTS			
184	MS35206-234	. . . SCREW . . . . .			04
185	NAS43DD1-48N	. . . SPACER . . . . .			04
- 185A	NAS43DD1-48FC	. . . SPACER ALT FOR NAS43DD1-48N . . . . .			04
186	MS21045-06	. . . NUT . . . . .			04
		—*—			
187	2613352-5	. . CAP-RETURN AIR DUCT . . . . .			01
		ATTACHING PARTS			
188	MS35206-329	. . . SCREW . . . . .			04
		—*—			
189		. . SOUNDPROOFING INSTALLATION REFER TO 25-80-00 FIGURE 01 . . . . .			RF

- ITEM NOT ILLUSTRATED

CESSNA®  
**MODEL 208**  
ILLUSTRATED PARTS CATALOG

A98051



**DETAIL A**

CABIN HEATING AND DEFROSTING SYSTEM  
FIGURE 01A (SHEET 1)

2610T7002  
A2613T210-2

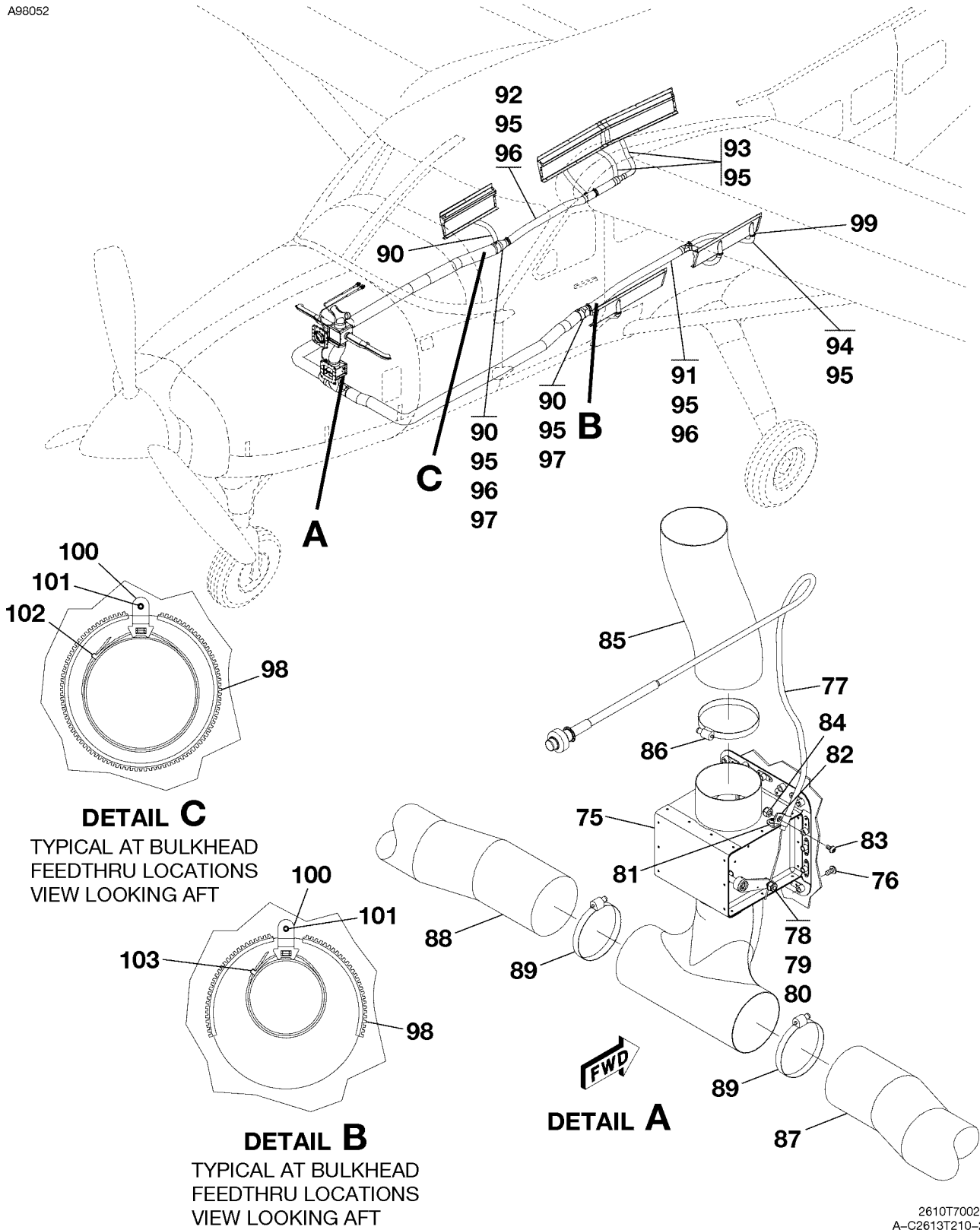
CESSNA®  
**MODEL 208**  
 ILLUSTRATED PARTS CATALOG

FIG ITEM	PART NUMBER	NOMENCLATURE	UNITS		
			PER	ASSY	
01A		CABIN HEATING AND DEFROSTING SYSTEM	0573	& ON	RF
-		. VALVE ASSY-DEFROST REFER TO 21-22-03 FIGURE 01 . . . . .			RF
1		. ATTACHING PARTS			
2	MS35206-243	. SCREW . . . . .			04
		—*—			
3	2613184-13	. DUCT ASSY-LH HEATER . . . . .			01
4	2613184-14	. DUCT ASSY-RH HEATER . . . . .			01
		. ATTACHING PARTS			
5	S1021A8-8	. SCREW . . . . .			02
		—*—			
6	S1241-50	. CONTROL ASSY-DEFROST ALT FOR S1241-58 . . . . .			01
- 6A	S1241-58	. CONTROL ASSY-DEFROST . . . . .			01
		. ATTACHING PARTS			
7	S2323-5	. CLAMP . . . . .			01
8	NAS1149F0332P	. WASHER . . . . .			01
9	MS20365-1032C	. NUT . . . . .			01
		—*—			
10	2613184-30	. BRACKET . . . . .			01
		. ATTACHING PARTS			
11	MS35206-228	. SCREW . . . . .			02
12	MS21042-06	. NUT . . . . .			02
		—*—			
13	S2226-2	. CLAMP . . . . .			01
		. ATTACHING PARTS			
14	AN3-4A	. BOLT . . . . .			01
15	NAS1149F0332P	. WASHER . . . . .			01
16	MS21044N3	. NUT . . . . .			01
		—*—			
17	S1053K16W17.0	. DUCT-LH DEFROST VALVE TO NOZZLE . . . . .			01
18	S1053K16W11.0	. DUCT-RH DEFROST VALVE TO NOZZLE . . . . .			01
		. ATTACHING PARTS			
19	NAS1922-0200-1	. CLAMP . . . . .			02
		—*—			

- ITEM NOT ILLUSTRATED

CESSNA®  
**MODEL 208**  
 ILLUSTRATED PARTS CATALOG

A98052



**DETAIL C**  
 TYPICAL AT BULKHEAD  
 FEEDTHRU LOCATIONS  
 VIEW LOOKING AFT

**DETAIL B**  
 TYPICAL AT BULKHEAD  
 FEEDTHRU LOCATIONS  
 VIEW LOOKING AFT

**DETAIL A**

CABIN HEATING AND DEFROSTING SYSTEM  
 FIGURE 01A (SHEET 2)

2610T7002  
 A-C2613T210-2

CESSNA®  
**MODEL 208**  
 ILLUSTRATED PARTS CATALOG

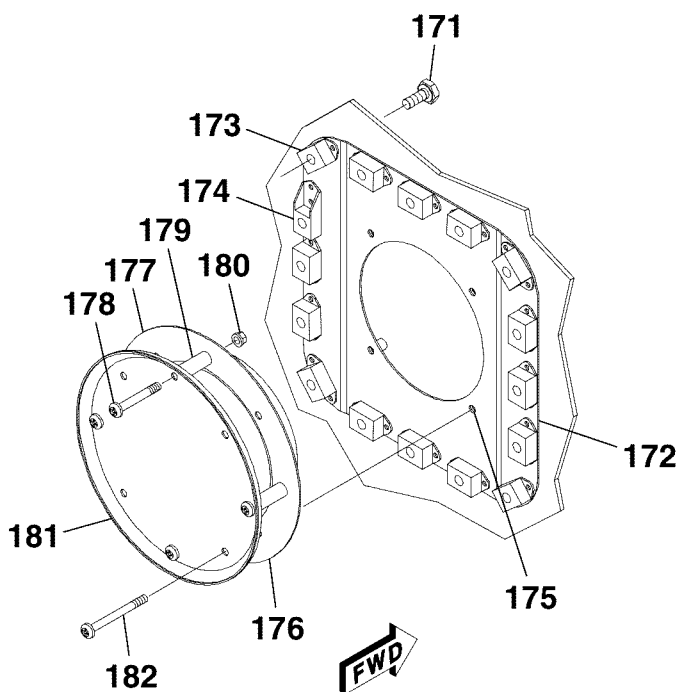
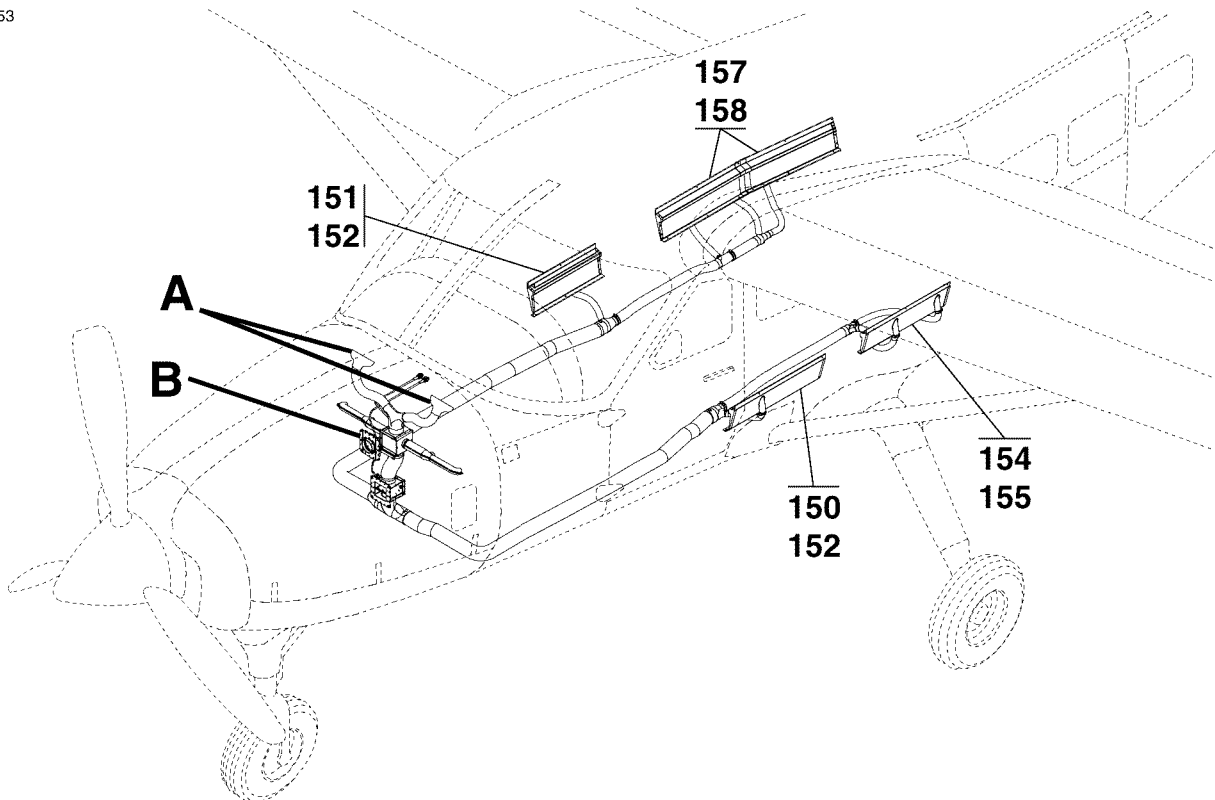
FIG ITEM	PART NUMBER	NOMENCLATURE	UNITS
			PER ASSY
		1 2 3 4 5 6 7	
01A		. VALVE ASSY-CABIN HEAT REFER TO 21-22-03 FIGURE 01 . . . . .	RF
75		. CLAMP . . . . .	01
76	S2323-5	. CONTROL-CABIN HEAT . . . . .	01
77	S1241-56	. ATTACHING PARTS	
78	MS35206-241	. SCREW . . . . .	08
		—*—	
79	NAS1149F0332P	. WASHER . . . . .	01
80	MS20365-1032C	. NUT . . . . .	01
81	AN743-12	. BRACKET . . . . .	01
82	S2226-2	. CLAMP . . . . .	01
83	MS35206-242	. SCREW . . . . .	02
84	MS21044N08	. NUT . . . . .	02
85	S1053K24W9.0	. DUCT-HEATER VALVE TO DEFROSTER VALVE . . . . .	01
86	NAS1922-0275-1	. CLAMP . . . . .	02
87	S4425-24-400-04	. DUCT-RH HEATER VALVE TO WYE ASSY . . . . .	01
88	S4425-24-388-04	. DUCT-LH HEATER VALVE TO WYE ASSY . . . . .	01
89	NAS1922-0275-1	. CLAMP . . . . .	02
90	2613210-12	. WYE DUCT BOND ASSY-LH AND RH . . . . .	02
91	2613210-13	. WYE DUCT BOND ASSY-LH . . . . .	01
92	2613210-11	. WYE DUCT BOND ASSY-RH . . . . .	01
93	2613210-4	. WYE DUCT BOND ASSY-RH AFT . . . . .	01
94	S4425-10-100-04	. DUCT-LH AFT . . . . .	01
95	NAS1922-0125-1	. CLAMP . . . . .	06
96	NAS1922-0200-1	. CLAMP . . . . .	03
97	NAS1922-0275-1	. CLAMP . . . . .	02
98	S1050-1	. GROMMET-BKI CUT TO LENGTH . . . . .	AR
99	S1050-2.180	. GROMMET . . . . .	02
100	S4132-1	. ANCHOR . . . . .	12 R
101	S1021Z8-6	. SCREW . . . . .	12
102	MS3367-2-9	. STRAP . . . . .	04
103	MS3367-7-9	. STRAP . . . . .	09

- ITEM NOT ILLUSTRATED

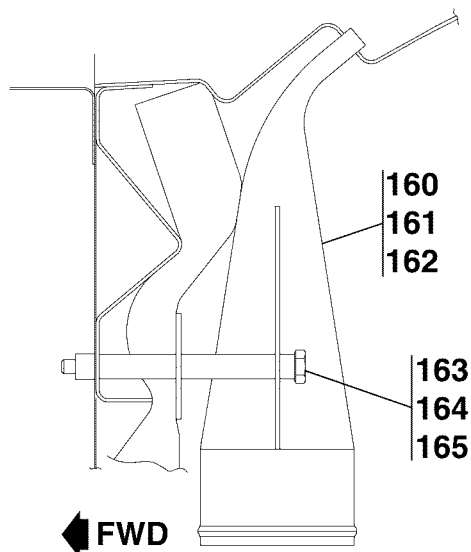


CESSNA®  
**MODEL 208**  
 ILLUSTRATED PARTS CATALOG

A98053



**DETAIL B**



**DETAIL A**  
 VIEW LOOKING INBOARD FROM  
 LEFT SIDE OF AIRPLANE

CABIN HEATING AND DEFROSTING SYSTEM  
 FIGURE 01A (SHEET 3)

2610T7002  
 A-B2613T210-2

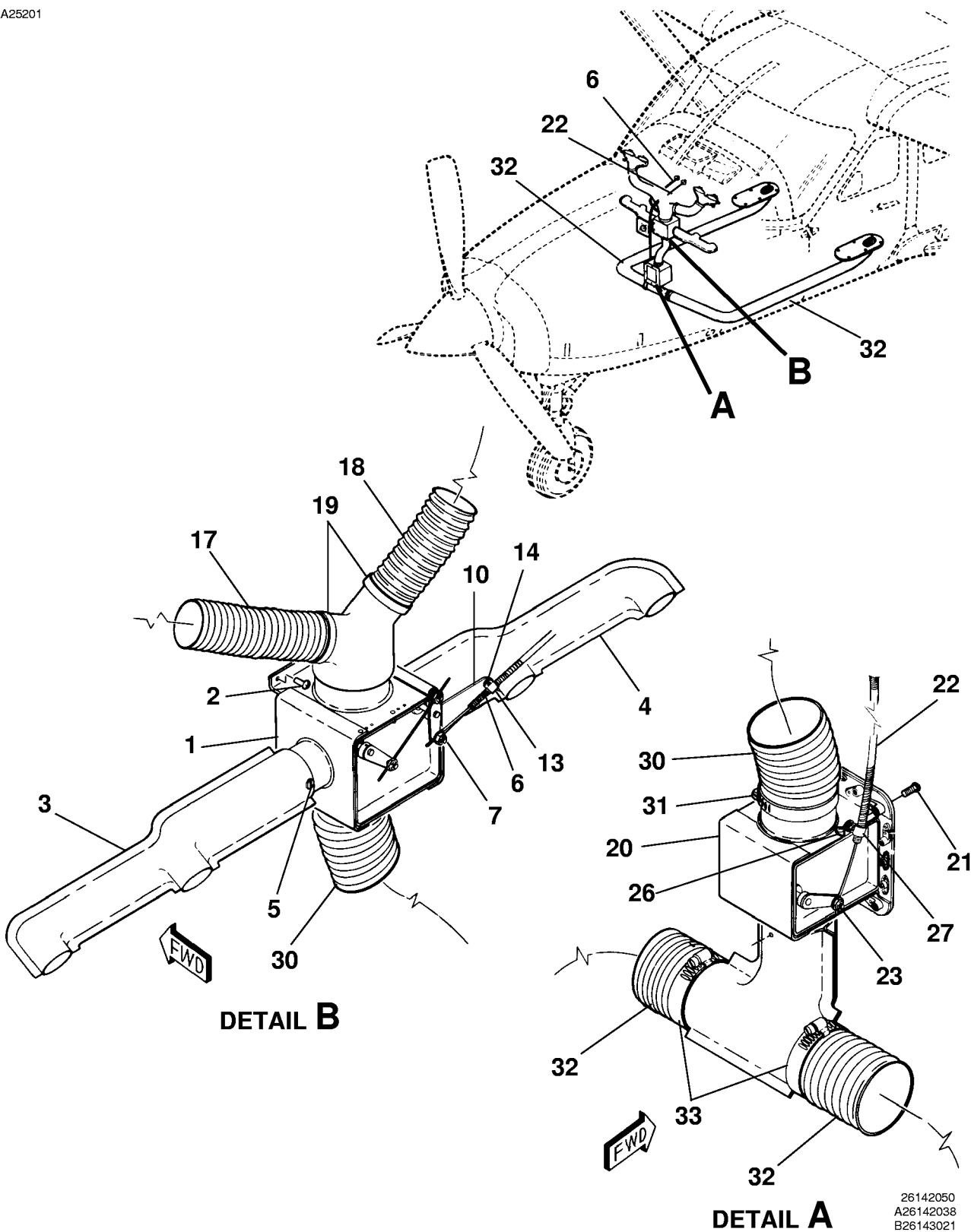
CESSNA®  
**MODEL 208**  
 ILLUSTRATED PARTS CATALOG

FIG ITEM	PART NUMBER	NOMENCLATURE	UNITS
			PER ASSY
		1 2 3 4 5 6 7	
01A			
150	2615111-45	. PLENUM-LH FORWARD HEATER DUCT . . . . .	01
151	2615111-46	. PLENUM-RH FORWARD HEATER DUCT . . . . .	01
		ATTACHING PARTS	
152	AN525-832R6	. SCREW . . . . .	04
		—*—	
- 153	S1021Z4-4B	. . SCREW-END CAP ATTACH . . . . .	08
154	2615111-3	. PLENUM-HEATER DUCT LH AFT . . . . .	01
		ATTACHING PARTS	
155	AN525-832R6	. SCREW . . . . .	05
		—*—	
- 156	S1021Z4-4B	. . SCREW-END CAP ATTACH . . . . .	08
157	2615111-4	. PLENUM-HEATER DUCT RH AFT . . . . .	01
		ATTACHING PARTS	
158	AN525-832R6	. SCREW . . . . .	09
		—*—	
- 159	S1021Z4-4B	. . SCREW . . . . .	08
160	2613289-21	. NOZZLE ASSY-LH DEFROST . . . . .	01
161	2613289-22	. NOZZLE ASSY-RH DEFROST . . . . .	01
		ATTACHING PARTS	
162	MS35207-260	. SCREW . . . . .	02
163	2613204-3	. SPACER ASSY . . . . .	01
164	NAS43DD3-12FC	. SPACER . . . . .	01
165	AN3-30A	. BOLT . . . . .	01
		—*—	
- 166	MS21047L3K	. . NUTPLATE . . . . .	02
- 167	2613289-13	. . BRACKET ASSY . . . . .	01
- 168	2613289-11	. . BRACKET ASSY . . . . .	01
- 169	S1741-1	. . . ANCHOR-WIRE BUNDLE . . . . .	01
- 170	2613352-1	. DUCT ASSY-RETURN AIR . . . . .	01
		ATTACHING PARTS	
171	AN3-5A	. BOLT . . . . .	16
		—*—	
172	2613352-3	. . MOUNT ASSY . . . . .	01
173	MS21059L3	. . NUTPLATE . . . . .	15
174	MS21061L3	. . NUTPLATE . . . . .	01
175	MS21047L06	. . NUTPLATE . . . . .	04
176	2613352-2	. . INLET ASSY . . . . .	01
177	2613352-7	. . FLANGE . . . . .	01
		ATTACHING PARTS	
178	MS35206-234	. . SCREW . . . . .	04
179	NAS43DD1-48FC	. . SPACER ALT FOR NAS43DD1-48N . . . . .	04
180	MS21045-06	. . NUT . . . . .	04
		—*—	
181	2613352-5	. . CAP . . . . .	01
		ATTACHING PARTS	
182	MS35206-329	. . SCREW . . . . .	04
		—*—	

- ITEM NOT ILLUSTRATED

CESSNA®  
**MODEL 208**  
 ILLUSTRATED PARTS CATALOG

A25201



CABIN HEATING AND DEFROSTING SYSTEM  
 FIGURE 01 (SHEET 1)

26142050  
 A26142038  
 B26143021

**CESSNA®**  
**MODEL 208**  
**ILLUSTRATED PARTS CATALOG**

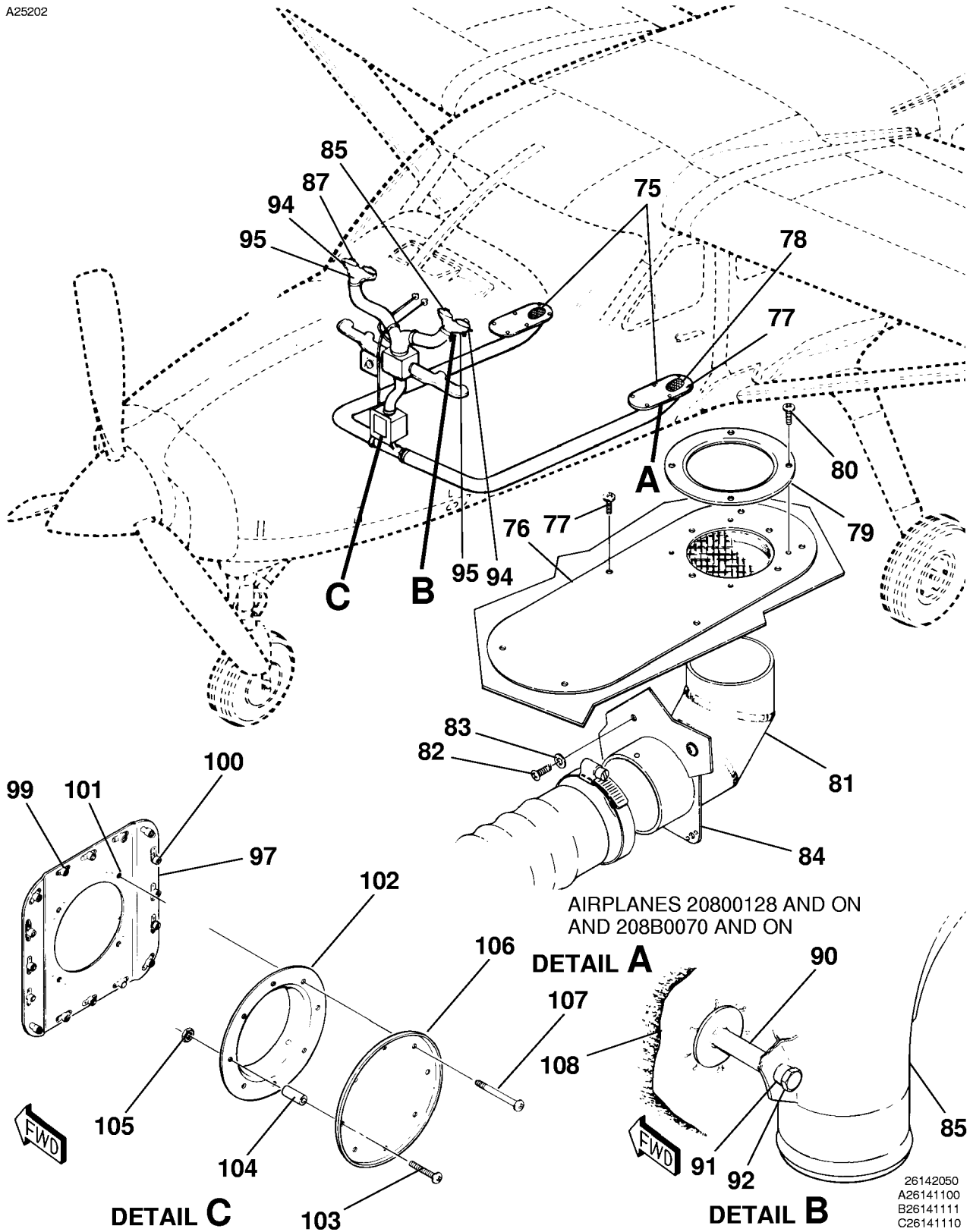
FIG ITEM	PART NUMBER	NOMENCLATURE	UNITS PER ASSY		
			1	2	3
01		CABIN HEATING AND DEFROSTING SYSTEM			
-			0001	& ON	RF
			B0001	& ON	
1		. VALVE ASSY-DEFROST REFER TO 21-22-03 FIGURE 01 . . . . .			RF
		ATTACHING PARTS			
2	MS35206-243	. SCREW . . . . .			04
		—*—			
3	2613184-13	. DUCT ASSY-LH HEATER . . . . .			01
4	2613184-14	. DUCT ASSY-RH HEATER . . . . .			01
		ATTACHING PARTS			
5	S1021A8-8	. SCREW . . . . .			02
		—*—			
6	S1241-50	. CONTROL-DEFROST ALT FOR S1241-58 . . . . .			01
- 6A	S1241-58	. CONTROL-DEFROST . . . . .			01
		ATTACHING PARTS			
7	S2323-5	. CLAMP . . . . .			01
- 8	NAS1149F0332P	. WASHER . . . . .			01
- 9	MS21044N3	. NUT . . . . .			01
		—*—			
10	2613184-30	. BRACKET CARGOMASTER ONLY . . . . .	0001	0499	01
		ATTACHING PARTS			
- 11	MS35206-228	. SCREW . . . . .			02
- 12	MS21042-06	. NUT . . . . .			02
		—*—			
13	S2226-2	. CLAMP . . . . .			01
		ATTACHING PARTS			
14	AN3-4A	. BOLT . . . . .			01
- 15	NAS1149F0332P	. WASHER . . . . .			01
- 16	MS21044N3	. NUT . . . . .			01
		—*—			
17	S1053K16W	. DUCT-LH BKI 17.00 IN LG VALVE TO NOZZLE . . . . .			01
18	S1053K16W	. DUCT-RH BKI 11.00 IN LG VALVE TO NOZZLE . . . . .			01
19	S1891-32S	. CLAMP . . . . .	0113	& ON	01
			B0001	B5224	
- 19A	NAS1922-0200-1	. CLAMP . . . . .	B5225	& ON	04
20		. VALVE ASSY-CABIN HEAT REFER TO 21-22-03 FIGURE 01 . . . . .			RF
		ATTACHING PARTS			
21	MS35206-243	. SCREW . . . . .			08
		—*—			
22	S1241-56	. CONTROL-CABIN HEAT . . . . .			01
		ATTACHING PARTS			
23	S2323-5	. CLAMP . . . . .			01
- 24	NAS1149F0332P	. WASHER . . . . .			01
- 25	MS21044N3	. NUT . . . . .			01
26	AN923-12	. BRACKET . . . . .			01
27	S2226-2	. CLAMP . . . . .			01
- 28	MS35206-242	. SCREW . . . . .			02
- 29	MS21044N08	. NUT . . . . .			02
		—*—			
30	S1053K24W	. DUCT BKI 9.00 IN LG HEATER VALVE TO DEFROSTER VALVE . . . . .			01
		ATTACHING PARTS			
31	S1891-48S	. CLAMP . . . . .	0113	& ON	02
			B0001	B5224	
		—*—			
- 31A	NAS1922-0275-1	. CLAMP . . . . .	B5225	& ON	02
32	S1053K24W	. DUCT BKI 68.00 IN LG HEATER VALVE TO OUTLET . . . . .	0113	& ON	02
			B0001	B5224	
- 32A	S4425-24-276-04	. DUCT-LH HEATER VALVE TO OUTLET . . . . .	B5225	& ON	01
- 32B	S4425-24-260-04	. DUCT-RH HEATER VALVE TO OUTLET . . . . .	B5225	& ON	01
		ATTACHING PARTS			
33	S1891-48S	. CLAMP . . . . .	0113	& ON	02
			B0001	B5224	
		—*—			
- 33A	NAS1922-0275-1	. CLAMP . . . . .	B5225	& ON	02

- ITEM NOT ILLUSTRATED

CESSNA®  
MODEL 208

ILLUSTRATED PARTS CATALOG

A25202



AIRPLANES 20800128 AND ON  
AND 208B0070 AND ON

**DETAIL A**

**DETAIL C**

**DETAIL B**

26142050  
A26141100  
B26141111  
C26141110

CABIN HEATING AND DEFROSTING SYSTEM  
FIGURE 01 (SHEET 2)

**CESSNA®**  
**MODEL 208**  
**ILLUSTRATED PARTS CATALOG**

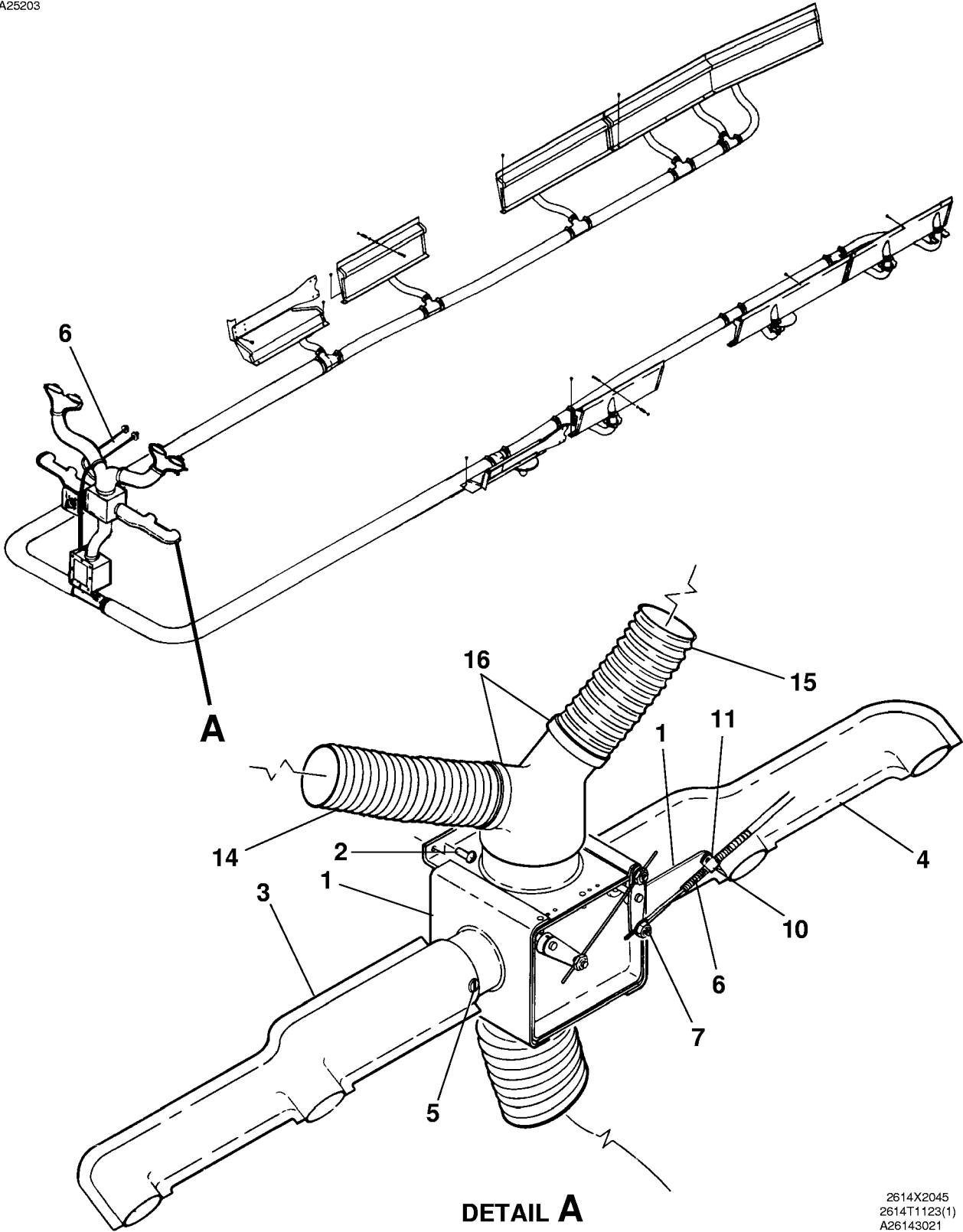
FIG ITEM	PART NUMBER	NOMENCLATURE	UNITS PER ASSY		
			1	2	3
01					
75	2613362-1	. OUTLET ASSY-CABIN HEAT REFER TO NOTE 1 . . . . .	0113	0127	02
			B0001	B0069	
76	2613362-7	. COVER ASSY-CABIN HEAT REFER TO NOTE 2 . . . . .	0128	& ON	02
			B0070	& ON	
		ATTACHING PARTS			
77	AN525-10R7	. SCREW . . . . .			06
		—*—			
78	2615053-1	. RETAINER-FLOOR COVERING FSO 2615053-2 REFER TO NOTE 1 . . . . .	0113	0127	NP
			B0001	B0069	
79	2615053-2	. RETAINER-FLOOR COVERING REFER TO NOTE 2 . . . . .	0128	& ON	02
- 79A	2615053-2	. RETAINER-FLOOR COVERING FSO 2615053-3 REFER TO NOTE 2 . . . . .	B0070	B2105	NP R
- 79B	2615053-3	. RETAINER-FLOOR COVERING . . . . .	B2106	& ON	02
		ATTACHING PARTS			
80	S1021A6-6	. SCREW REFER TO NOTE 2 . . . . .	0113	0127	04
			B0070	& ON	
		—*—			
81	2613362-11	. ELBOW ASSY-HEATER OUTLET REFER TO NOTE 2 . . . . .	0110	0127	02
			B0070	& ON	
		ATTACHING PARTS			
82	MS35206-264	. SCREW . . . . .			04
83	NAS1149F0332P	. WASHER . . . . .			04
		—*—			
84	MS21069L3	. NUTPLATE . . . . .			04
85	2613289-1	. NOZZLE ASSY-DEFROST LH FSO 2613289-21 . . . . .	0113	0201	NP
			B0001	B0258	
- 86	2613289-21	. NOZZLE ASSY-DEFROST LH . . . . .	0202	& ON	01
			B0259	& ON	
87	2613289-2	. NOZZLE ASSY-DEFROST RH FSO 2613289-22 . . . . .	0110	0201	NP
			B0001	B0258	
- 88	2613289-22	. NOZZLE ASSY-DEFROST RH . . . . .	0202	& ON	01
			B0259	& ON	
		ATTACHING PARTS			
- 89	AN520-10R5	. SCREW . . . . .			02
90	2613204-3	. SPACER ASSY . . . . .			01
91	NAS43DD3-12N	. SPACER . . . . .			01
- 91A	NAS43DD3-12FC	. SPACER ALT FOR NAS43DD3-12N . . . . .			01
92	AN3-30	. BOLT . . . . .			01
		—*—			
- 93	MS21047L3	. . . NUTPLATE . . . . .			02
94	2613289-13	. . . BRACKET ASSY . . . . .			01
95	2613289-11	. . . BRACKET ASSY . . . . .			01
- 96	S1741-1	. . . ANCHOR-WIRE BUNDLE . . . . .			01
97	2613352-3	. MOUNT ASSY-RETURN AIR DUCTS . . . . .			01
- 98		. BLEED AIR HEATER COMPONENTS REFER TO 21-41-00 FIGURE 01 . . . . .			RF
99	MS21059L3	. . . NUTPLATE . . . . .			15
100	MS21061L3	. . . NUTPLATE . . . . .			01
101	MS21047L06	. . . NUTPLATE . . . . .			04
102	2613352-7	. FLANGE-RETURN AIR DUCT . . . . .			01
		ATTACHING PARTS			
103	MS35206-234	. SCREW . . . . .			04
104	NAS43DD1-48N	. SPACER . . . . .			04
- 104A	NAS43DD1-48FC	. SPACER ALT FOR NAS43DD1-48N . . . . .			04
105	MS21045-06	. NUT . . . . .			04
		—*—			
106	2613352-5	. CAP-RETURN AIR DUCT . . . . .			01
		ATTACHING PARTS			
107	MS35206-236	. SCREW . . . . .			04
		—*—			
108		. SOUNDPROOFING INSTALLATION REFER TO 25-80-00 FIGURE 01 . . . . .			RF

NOTE 1—AIRPLANES NOT INCORPORATING SK208-44

NOTE 2—AND AIRPLANES -0113 THRU -0127 AND -B0001 THRU -B0069 INCORPORATING SK208-44

CESSNA®  
**MODEL 208**  
ILLUSTRATED PARTS CATALOG

A25203



CABIN HEATING AND DEFROSTING SYSTEM - PASSENGER VERSION  
FIGURE 01 (SHEET 1)

2614X2045  
2614T1123(1)  
A26143021

CESSNA®  
**MODEL 208**  
 ILLUSTRATED PARTS CATALOG

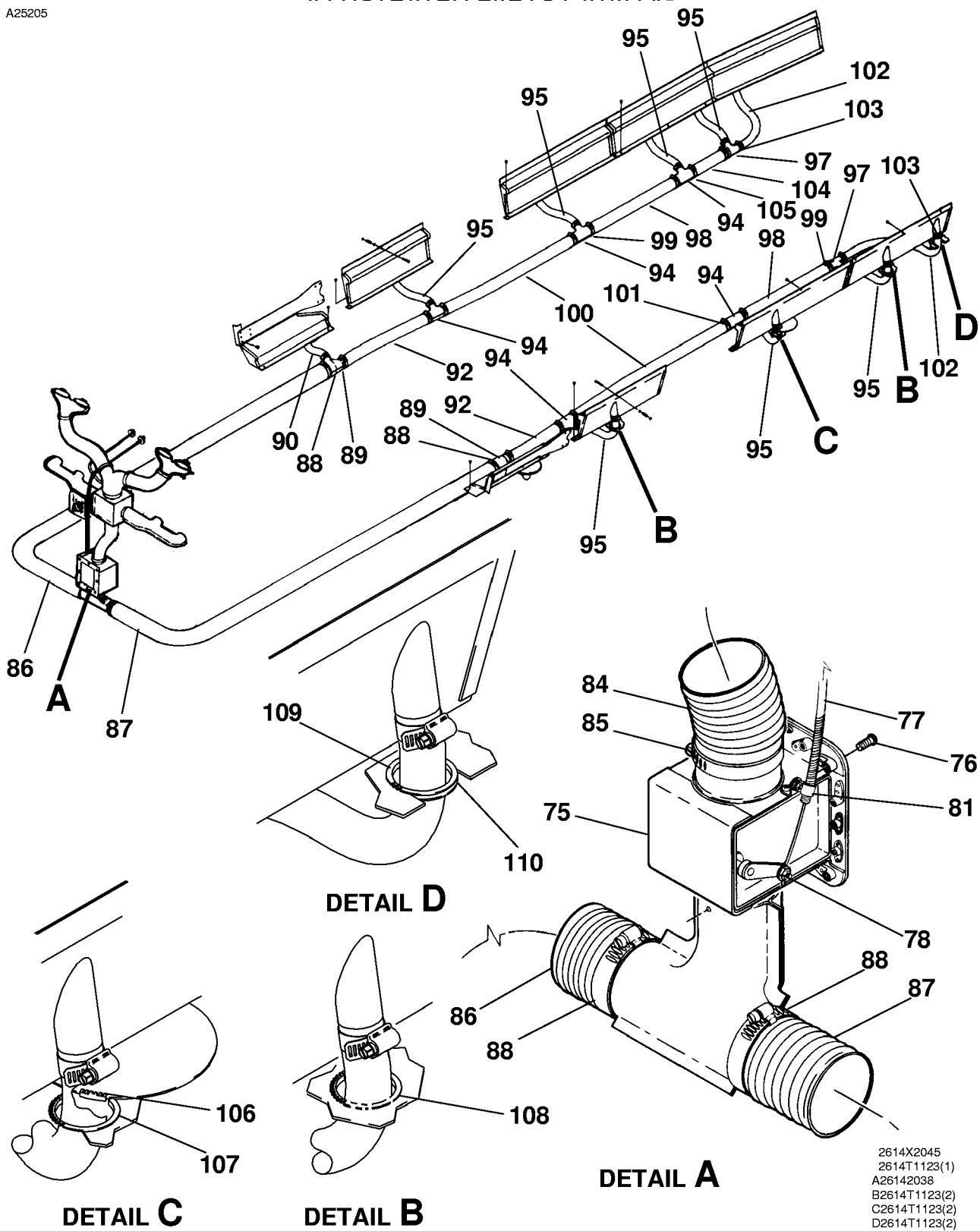
FIG ITEM	PART NUMBER	NOMENCLATURE	UNITS PER ASSY			
			1	2	3	
01		CABIN HEATING AND DEFROSTING SYSTEM - PASSENGER VERSION		B0214	B5224	RF R
-		. VALVE ASSY-DEFROST REFER TO 21-22-03 FIGURE 01 . . . . .				RF
1		. ATTACHING PARTS				
2	MS35206-243	. SCREW . . . . .				04
		. * . . . .				
3	2613184-13	. DUCT ASSY-LH HEATER . . . . .				01
4	2613184-14	. DUCT ASSY-RH HEATER . . . . .				01
		. ATTACHING PARTS				
5	S1021A8-8	. SCREW . . . . .				01
		. * . . . .				
6	S1241-50	. CONTROL-DEFROST ALT FOR S1241-58 . . . . .				01
- 6A	S1241-58	. CONTROL-DEFROST . . . . .				01
		. ATTACHING PARTS				
7	S2323-5	. CLAMP . . . . .				01
- 8	NAS1149F0332P	. WASHER . . . . .				01
- 9	MS21044N3	. NUT . . . . .				01
		. * . . . .				
10	S2226-2	. CLAMP . . . . .				01
		. ATTACHING PARTS				
11	AN3-4A	. BOLT . . . . .				01
- 12	NAS1149F0332P	. WASHER . . . . .				01
- 13	MS21044N3	. NUT . . . . .				01
		. * . . . .				
14	S1053K16W	. DUCT-LH BKI 17.00 IN LG DEFROST VALVE TO T NOZZLE . . . . .				01
15	S1053K16W	. DUCT-RH BKI 11.00 IN LG DEFROST VALVE TO NOZZLE . . . . .				01
		. ATTACHING PARTS				
16	S1891-32S	. CLAMP . . . . .				02
		. * . . . .				

- ITEM NOT ILLUSTRATED



CESSNA®  
**MODEL 208**  
 ILLUSTRATED PARTS CATALOG

A25205



2614X2045  
 2614T1123(1)  
 A26142038  
 B2614T1123(2)  
 C2614T1123(2)  
 D2614T1123(2)

CABIN HEATING AND DEFROSTING SYSTEM - PASSENGER VERSION  
 FIGURE 01 (SHEET 2)

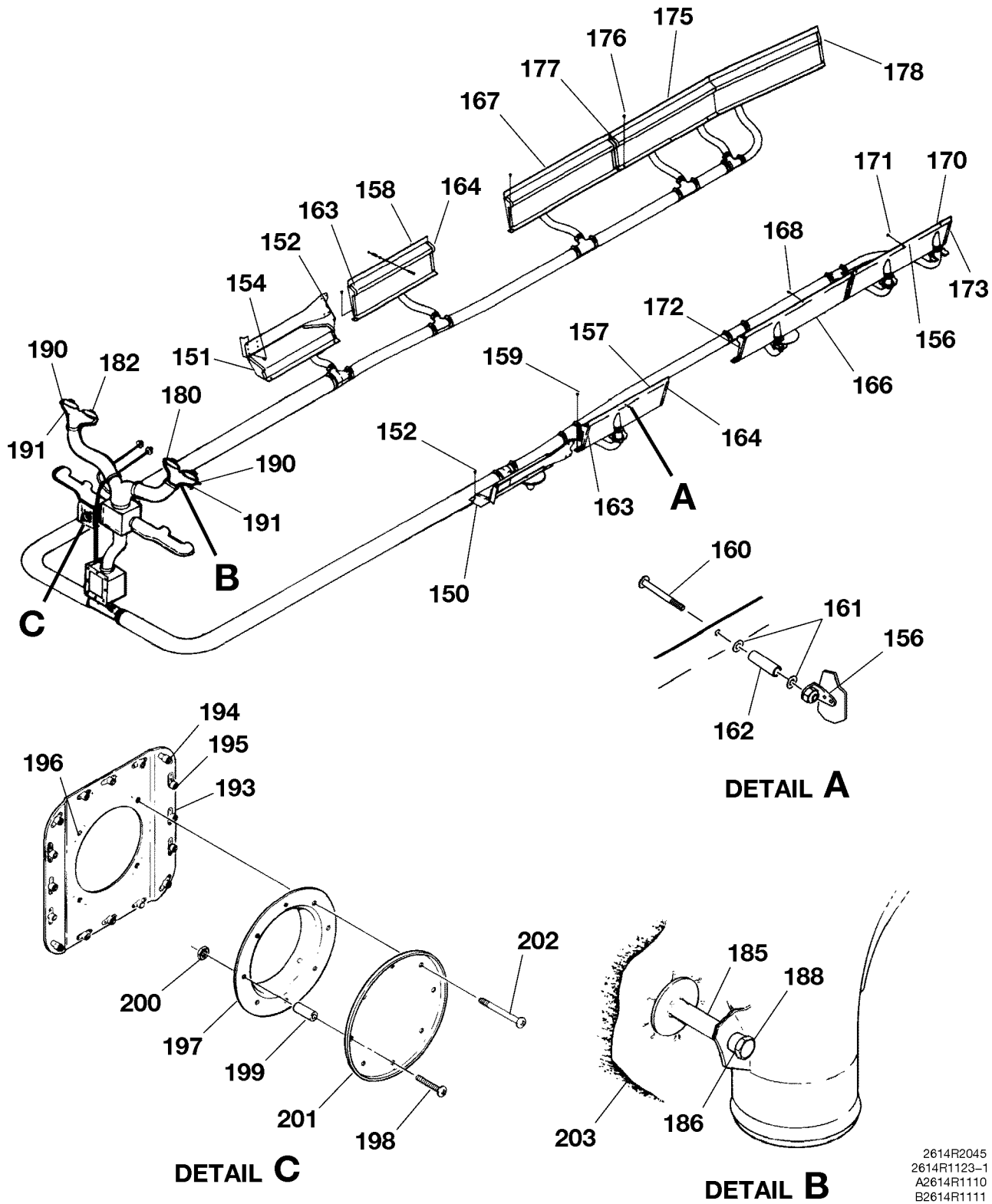
**CESSNA®**  
**MODEL 208**  
**ILLUSTRATED PARTS CATALOG**

FIG ITEM	PART NUMBER	NOMENCLATURE	UNITS
			PER ASSY
		1 2 3 4 5 6 7	
01			
75		. VALVE ASSY-CABIN HEAT REFER TO 21-22-03 FIGURE 01 . . . . .	RF
		ATTACHING PARTS	
76	MS35206-261	. SCREW . . . . .	04
		—*—	
77	S1241-56	. CONTROL-CABIN HEAT . . . . .	01
		ATTACHING PARTS	
78	S2323-5	. CLAMP . . . . .	01
- 79	NAS1149F0332P	. WASHER . . . . .	01
- 80	MS21044N08	. NUT . . . . .	01
81	S2226-2	. CLAMP . . . . .	01
- 82	MS35206-242	. SCREW . . . . .	01
- 83	MS21044N08	. NUT . . . . .	01
		—*—	
84	S1053K24W	. DUCT BKI 9.00 IN LG HEATER VALVE TO DEFROSTER VALVE . . . . .	01
		ATTACHING PARTS	
85	S1891-48S	. CLAMP . . . . .	02
		—*—	
86	S1053K24W	. DUCT-RH BKI 110.00 IN LG HEATER VALVE TO WYE ASSY FSO	NP
		S4425-24-380-04 . . . . .	
- 86A	S4425-24-380-04	. DUCT-RH 110.00 IN LG HEATER VALVE TO WYE ASSY . . . . .	01
87	S1053K24W	. DUCT-LH BKI 100.00 IN LG HEATER VALVE TO WYE ASSY FSO	NP
		S4425-24-400-04 . . . . .	
- 87A	S4425-24-400-04	. DUCT-LH 100.00 IN LG HEATER VALVE TO WYE ASSY . . . . .	01
		ATTACHING PARTS	
88	S1891-48S	. CLAMP . . . . .	02
		—*—	
89	2613356-1	. WYE ASSY FSO S4429-1 . . . . .	NP
- 89A	S4429-1	. WYE DUCT . . . . .	02
90	S1053K10W	. DUCT BKI 10.00 IN LG WYE TO PLENUM FSO S4425-10-056-04 . . . . .	NP
- 90A	S4425-10-056-04	. DUCT 10.00 IN LG WYE TO PLENUM . . . . .	02
		ATTACHING PARTS	
- 91	S1891-20S	. CLAMP . . . . .	02
		—*—	
92	S1053K16W	. DUCT BKI 14.00 IN LG FSO S4425-16-060-04 . . . . .	NP
- 92A	S4425-16-060-04	. DUCT 14.00 IN LG . . . . .	02
		ATTACHING PARTS	
- 93	S1891-32S	. CLAMP . . . . .	02
		—*—	
94	2613357-1	. WYE ASSY FSO S4429-2 . . . . .	NP
- 94A	S4429-2	. WYE DUCT . . . . .	05
95	S1053K10W	. DUCT BKI 16.00 IN LG FSO S4425-10-064-04 . . . . .	NP
- 95A	S4425-10-064-04	. DUCT 16.00 IN LG . . . . .	07
		ATTACHING PARTS	
- 96	S1891-20S	. CLAMP . . . . .	02
		—*—	
97	2613222-1	. WYE ASSY FSO S4429-3 . . . . .	NP
- 97A	S4429-3	. WYE DUCT . . . . .	02
98	S1053K16W	. DUCT BKI 24.00 IN LG FSO S4425-16-084-04 . . . . .	NP
- 98A	S4425-16-084-04	. DUCT 24.00 IN LG . . . . .	02
		ATTACHING PARTS	
99	S1891-32S	. CLAMP . . . . .	02
		—*—	
100	S1053K16W	. DUCT BKI 41.00 IN LG FSO S4425-16-168-04 . . . . .	NP
- 100A	S4425-16-168-04	. DUCT 41.00 IN LG . . . . .	02
		ATTACHING PARTS	
101	S1891-32S	. CLAMP . . . . .	02
		—*—	
102	S1053K10W	. DUCT BKI 26.00 IN LG FSO S4425-16-168-04 . . . . .	NP
- 102A	S4425-16-168-04	. DUCT 26.00 IN LG . . . . .	02
		ATTACHING PARTS	
103	S1891-20S	. CLAMP . . . . .	02
		—*—	
104	S1053K16W	. DUCT BKI 8.00 IN LG FSO S4425-16-040-04 . . . . .	NP
- 104A	S4425-16-040-04	. DUCT 8.00 IN LG . . . . .	01
		ATTACHING PARTS	
105	S1891-32S	. CLAMP . . . . .	02
		—*—	
106	S1050-1	. GROMMET BKI 0.90 IN LG . . . . .	02
107	S1050-2	. GROMMET BKI 4.45 IN LG . . . . .	02
108	S1050-2	. GROMMET BKI 5.42 IN LG . . . . .	04
109	S1050-1	. GROMMET BKI 3.00 IN LG . . . . .	02
110	S1050-2	. GROMMET BKI 1.80 IN LG . . . . .	02

- ITEM NOT ILLUSTRATED

CESSNA®  
**MODEL 208**  
 ILLUSTRATED PARTS CATALOG

A25206



CABIN HEATING AND DEFROSTING SYSTEM - PASSENGER VERSION  
 FIGURE 01 (SHEET 3)

2614R2045  
 2614R1123-1  
 A2614R1110  
 B2614R1111  
 C2614R1123-2

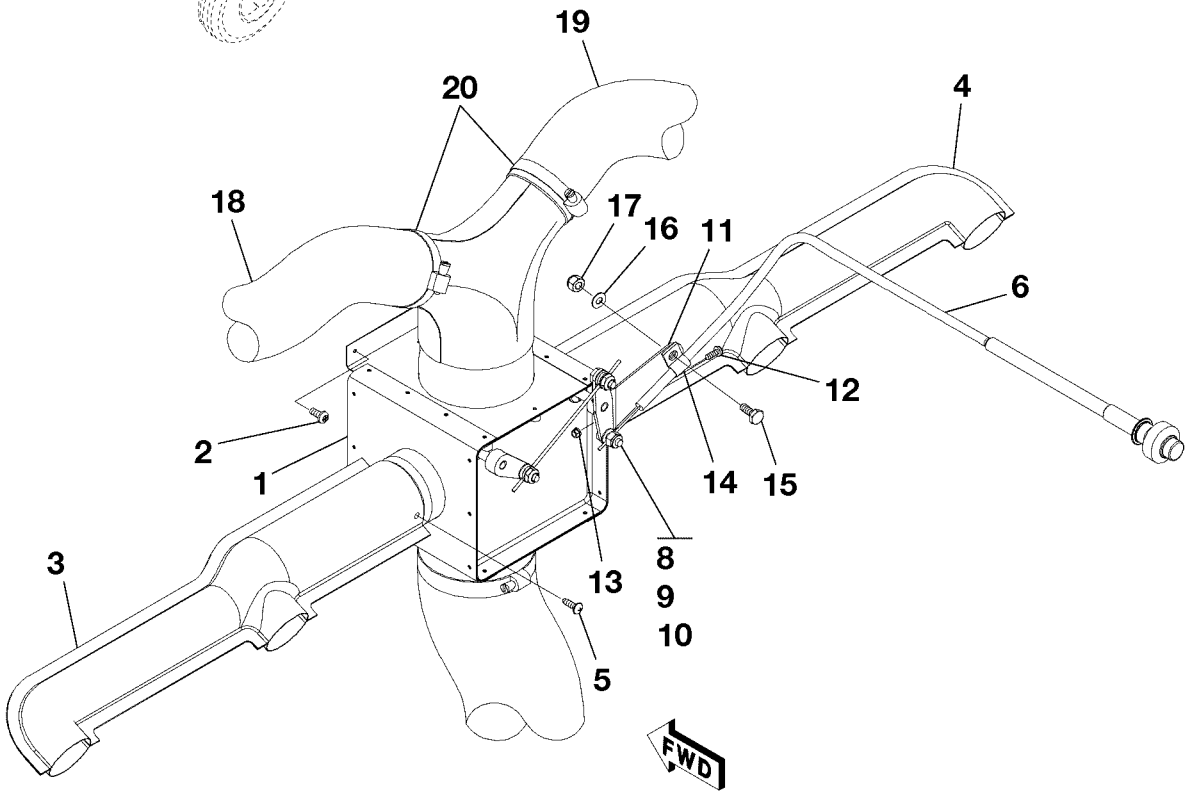
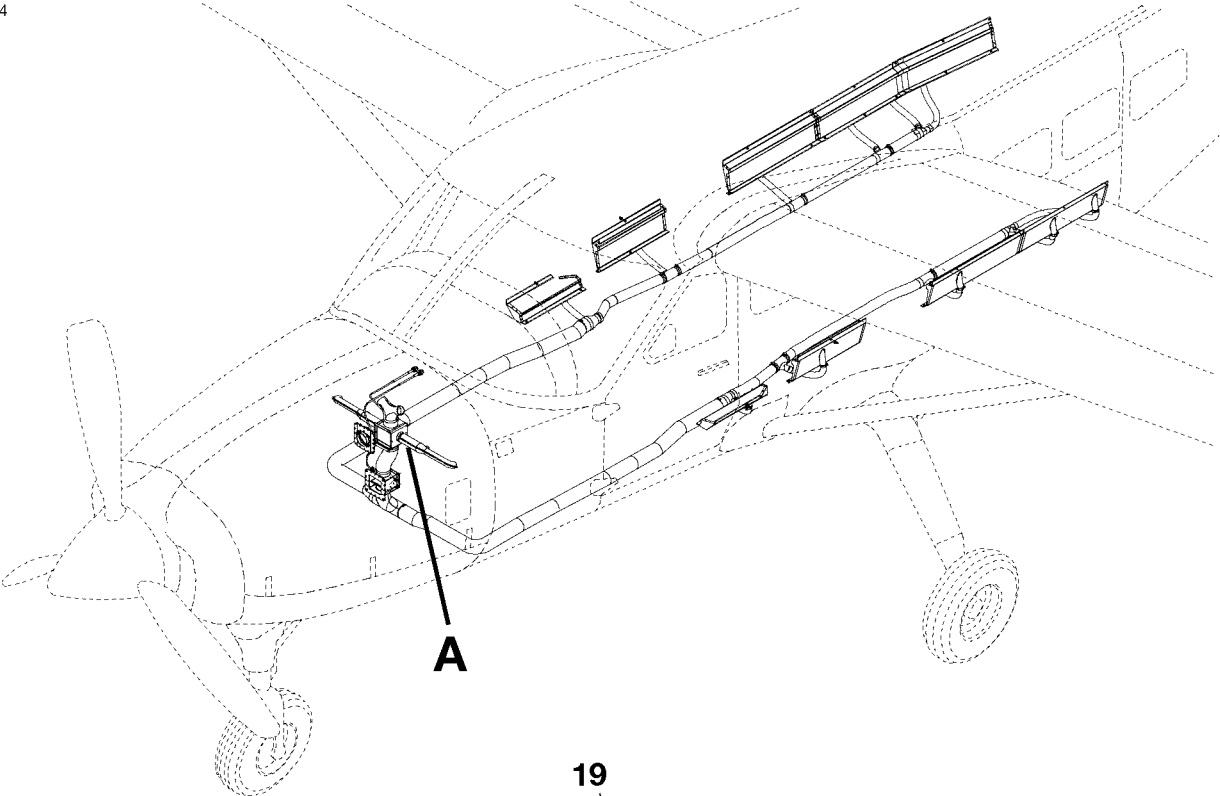
**CESSNA®**  
**MODEL 208**  
**ILLUSTRATED PARTS CATALOG**

FIG ITEM	PART NUMBER	NOMENCLATURE	UNITS	
			PER	ASSY
01				
150	2615111-31	. PLENUM-HEATER DUCT LH FORWARD . . . . .		01
151	2615111-36	. PLENUM-HEATER DUCT RH FORWARD . . . . .		01
		ATTACHING PARTS		
152	AN525-832R6	. SCREW . . . . .		03
		—*—		
- 153	S1021Z4-4B	. . . SCREW . . . . .		08
154	AN525-10R10	. SCREW . . . . .		05
- 155	MS21069L3	. NUTPLATE . . . . .		05
156	AN256-8	. NUTPLATE . . . . .		04
157	2615111-1	. PLENUM-HEATER DUCT LH FORWARD CENTER . . . . .	B0214 B0765	01
- 157A	2615111-45	. PLENUM-HEATER DUCT LH FORWARD CENTER . . . . .	B0766 & ON	01
158	2615111-2	. PLENUM-HEATER DUCT RH FORWARD CENTER . . . . .	B0214 B0765	01
- 158A	2615111-46	. PLENUM-HEATER DUCT RH FORWARD CENTER . . . . .	B0766 & ON	01
		ATTACHING PARTS		
159	AN525-832R6	. SCREW . . . . .		02
160	AN525-832R24	. SCREW . . . . .		01
161	NAS1149FN816P	. WASHER . . . . .		02
162	NAS43DD3-62N	. SPACER . . . . .		01
- 162A	NAS43DD3-62FC	. SPACER ALT FOR NAS43DD3-62N . . . . .		01
		—*—		
163	2615111-14	. . . END CAP-FWD . . . . .		01
164	2615111-15	. . . END CAP-AFT . . . . .		01
- 165	S1021Z4-4B	. . . SCREW . . . . .		08
166	2615111-25	. PLENUM-HEATER DUCT LH FORWARD AFT . . . . .		01
167	2615111-28	. PLENUM-HEATER DUCT RH FORWARD AFT . . . . .		01
		ATTACHING PARTS		
168	AN525-832R6	. SCREW . . . . .		04
		—*—		
- 169	S1021Z4-4B	. . . SCREW . . . . .		08
170	2615111-3	. PLENUM-HEATER DUCT LH AFT . . . . .		01
		ATTACHING PARTS		
171	AN525-832R6	. SCREW . . . . .		04
172	2615111-14	. . . END CAP-FWD . . . . .		01
173	2615111-16	. . . END CAP-AFT . . . . .		01
- 174	S1021Z4-4B	. . . SCREW . . . . .		08
		—*—		
175	2615111-4	. PLENUM-HEATER DUCT RH AFT . . . . .		01
		ATTACHING PARTS		
176	AN525-832R6	. SCREW . . . . .		04
177	2615111-15	. . . END CAP-FWD . . . . .		01
178	2615111-19	. . . END CAP-AFT . . . . .		01
- 179	S1021Z4-4B	. . . SCREW . . . . .		08
		—*—		
180	2613289-1	. NOZZLE ASSY-LH DEFROST FSO 2613289-21 . . . . .	B0214 B0258	NP
- 181	2613289-21	. NOZZLE ASSY-LH DEFROST . . . . .	B0259 & ON	01
182	2613289-2	. NOZZLE ASSY-RH DEFROST FSO 2613289-22 . . . . .	B0214 B0258	NP
- 183	2613289-22	. NOZZLE ASSY-RH DEFROST . . . . .	B0259 & ON	01
		ATTACHING PARTS		
- 184	MS35207-260	. SCREW . . . . .		02
185	2613204-3	. SPACER ASSY . . . . .		01
186	NAS43DD3-12N	. SPACER . . . . .		01
- 187	NAS43DD3-12FC	. SPACER ALT FOR NAS43DD3-12N . . . . .		01
188	AN3-30A	. BOLT . . . . .		01
		—*—		
- 189	MS21047L3K	. . . NUTPLATE . . . . .		02
190	2613289-13	. . . BRACKET ASSY . . . . .		01
191	2613289-11	. . . BRACKET ASSY . . . . .		01
- 192	S1741-1	. . . ANCHOR-WIRE BUNDLE . . . . .		01
193	2613352-3	. MOUNT ASSY-RETURN AIR DUCT . . . . .		01
194	MS21059L3	. . . NUTPLATE . . . . .		15
195	MS21061L3	. . . NUTPLATE . . . . .		01
196	MS21047L06	. . . NUTPLATE . . . . .		04
197	2613352-7	. FLANGE-RETURN AIR DUCT . . . . .		01
		ATTACHING PARTS		
198	MS35206-234	. SCREW . . . . .		04
199	NAS43DD1-48N	. SPACER . . . . .		04
- 199A	NAS43DD1-48FC	. SPACER ALT FOR NAS43DD1-48N . . . . .		04
200	MS21045-06	. NUT . . . . .		04
		—*—		
201	2613352-5	. CAP-RETURN AIR DUCT . . . . .		01
		ATTACHING PARTS		
202	MS35206-236	. SCREW . . . . .		04
		—*—		
203		. SOUNDPROOFING INSTALLATION REFER TO 25-80-00 FIGURE 01 . . . . .		RF

- ITEM NOT ILLUSTRATED

CESSNA®  
**MODEL 208**  
ILLUSTRATED PARTS CATALOG

A99354



**DETAIL A**

CABIN HEATING AND DEFROSTING SYSTEM - PASSENGER VERSION  
FIGURE 01A (SHEET 1)

2610T7002  
A2613T210-2

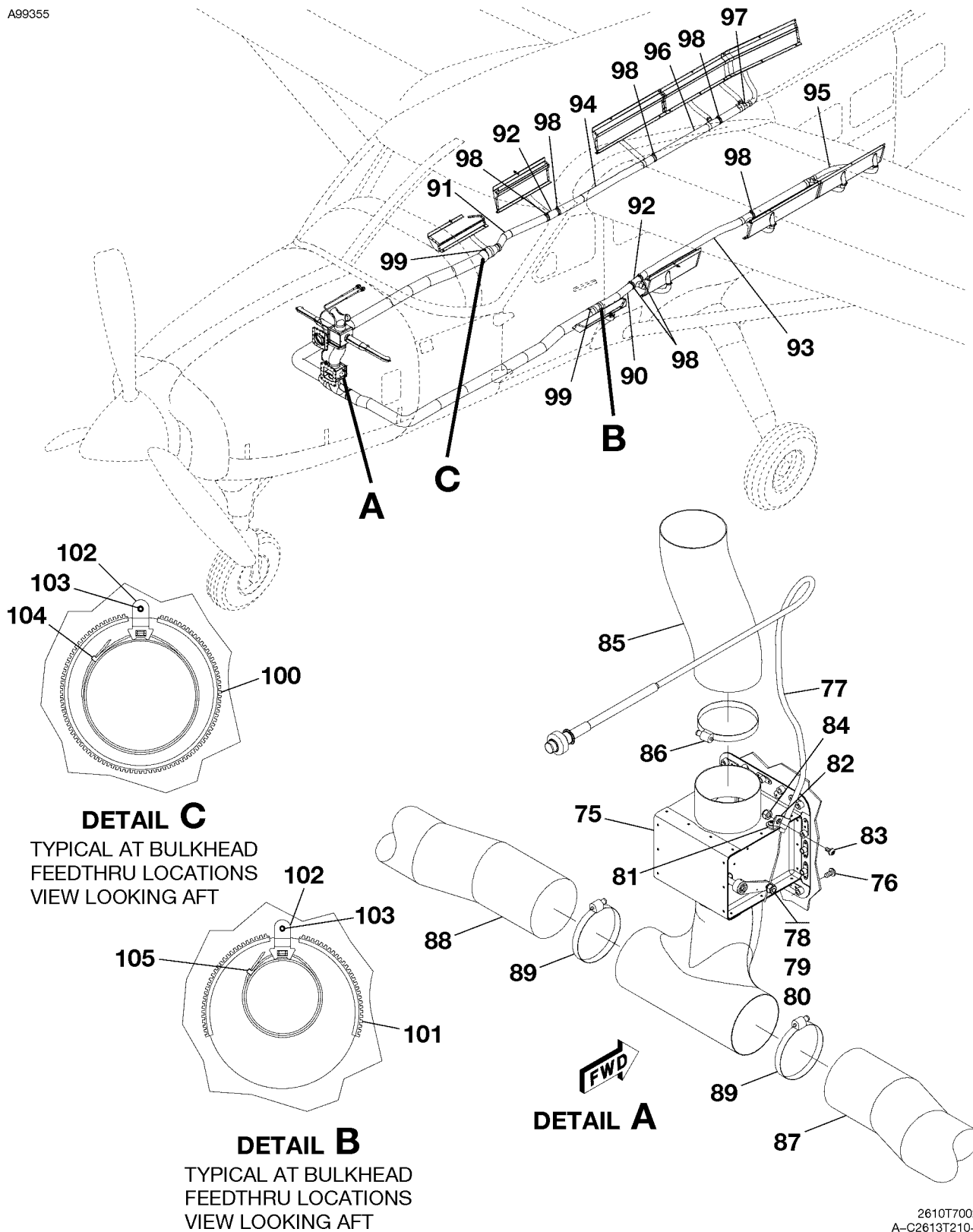
CESSNA®  
**MODEL 208**  
 ILLUSTRATED PARTS CATALOG

FIG ITEM	PART NUMBER	NOMENCLATURE	UNITS		
			PER	ASSY	
		1 2 3 4 5 6 7			
01A		CABIN HEATING AND DEFROSTING SYSTEM - PASSENGER VERSION	B5225	& ON	RF
-		. VALVE ASSY-DEFROST REFER TO 21-22-03 FIGURE 01 . . . . .			RF
1		. ATTACHING PARTS			
2	MS35206-243	. SCREW . . . . .			04
		—*—			
3	2613184-13	. DUCT ASSY-LH HEATER . . . . .			01
4	2613184-14	. DUCT ASSY-RH HEATER . . . . .			01
		. ATTACHING PARTS			
5	S1021A8-8	. SCREW . . . . .			02
		—*—			
6	S1241-50	. CONTROL ASSY-DEFROST ALT FOR S1241-58 . . . . .			01
-	7	S1241-58	. CONTROL ASSY-DEFROST . . . . .		01
		. ATTACHING PARTS			
8	S2323-5	. CLAMP . . . . .			01
9	NAS1149F0332P	. WASHER . . . . .			01
10	MS20365-1032C	. NUT . . . . .			01
		—*—			
11	2613184-30	. BRACKET . . . . .			01
		. ATTACHING PARTS			
12	MS35206-228	. SCREW . . . . .			02
13	MS21042-06	. NUT . . . . .			02
		—*—			
14	S2226-2	. CLAMP . . . . .			01
		. ATTACHING PARTS			
15	AN3-4A	. BOLT . . . . .			01
16	NAS1149F0332P	. WASHER . . . . .			01
17	MS21044N3	. NUT . . . . .			01
		—*—			
18	S1053K16W17.0	. DUCT-LH DEFROST VALVE TO NOZZLE . . . . .			01
19	S1053K16W11.0	. DUCT-RH DEFROST VALVE TO NOZZLE . . . . .			01
		. ATTACHING PARTS			
20	NAS1922-0200-1	. CLAMP . . . . .			02
		—*—			

- ITEM NOT ILLUSTRATED

CESSNA®  
**MODEL 208**  
 ILLUSTRATED PARTS CATALOG

A99355



CABIN HEATING AND DEFROSTING SYSTEM - PASSENGER VERSION  
 FIGURE 01A (SHEET 2)

2610T7002  
 A-C2613T210-2

CESSNA®  
**MODEL 208**  
 ILLUSTRATED PARTS CATALOG

FIG ITEM	PART NUMBER	NOMENCLATURE	UNITS	
			PER	ASSY
01A				
75		. VALVE ASSY-CABIN HEAT REFER TO 21-22-03 FIGURE 01 . . . . .		RF
		ATTACHING PARTS		
76	MS35206-241	. SCREW . . . . .		04
		—*		
77	S1241-56	. CONTROL-CABIN HEAT . . . . .		01
78	S2323-5	. CLAMP . . . . .		01
79	NAS1149F0332P	. WASHER . . . . .		01
80	MS20365-1032C	. NUT . . . . .		01
81	AN743-12	. BRACKET . . . . .		01
82	S2226-2	. CLAMP . . . . .		01
83	MS35206-242	. SCREW . . . . .		02
84	MS21044N08	. NUT . . . . .		02
85	S1053K24W9.0	. DUCT-HEATER VALVE TO DEFROSTER VALVE . . . . .		01
86	NAS1922-0275-1	. CLAMP . . . . .		02
87	S4425-24-400-04	. DUCT-RH HEATER VALVE TO WYE ASSY . . . . .		01
88	S4425-24-388-04	. DUCT-LH HEATER VALVE TO WYE ASSY . . . . .		01
89	NAS1922-0275-1	. CLAMP . . . . .		02
90	2613210-8	. WYE DUCT BOND ASSY-LH FWD PLENUM . . . . .		02
91	2613210-7	. WYE DUCT BOND ASSY-RH FWD PLENUM . . . . .		02
92	2613210-6	. WYE DUCT BOND ASSY-LH AND RH MID PLENUM . . . . .		02
93	2613210-9	. WYE DUCT BOND ASSY-LH MID TO AFT PLENUM . . . . .		01
94	2613210-5	. WYE DUCT BOND ASSY-RH MID TO AFT PLENUM . . . . .		01
95	2613210-10	. WYE DUCT BOND ASSY-LH AFT PLENUM . . . . .		01
96	2613210-14	. WYE DUCT BOND ASSY-RH AFT PLENUM . . . . .		01
97	2613210-4	. WYE DUCT BOND ASSY-RH FAR AFT PLENUM . . . . .		01
98	NAS1922-0200-1	. CLAMP . . . . .		07
99	NAS1922-0275-1	. CLAMP . . . . .		02
100	S1050-1	. GROMMET-BKI CUT TO LENGTH . . . . .		AR
101	S1050-2	. GROMMET-BKI CUT TO LENGTH . . . . .		AR
102	S4132-1	. MOUNT . . . . .	B5225 B5400	22 R
- 102A	S4132-1	. MOUNT . . . . .	B5401 & ON	21 R
103	S1021Z8-6	. SCREW . . . . .	B5225 B5400	22 R
- 103A	S1021Z8-6	. SCREW . . . . .	B5401 & ON	21 R
104	MS3367-2-9	. STRAP . . . . .	B5225 B5400	08 R
- 104A	MS3367-2-9	. STRAP . . . . .	B5401 & ON	07 R
105	MS3367-7-9	. STRAP . . . . .		14

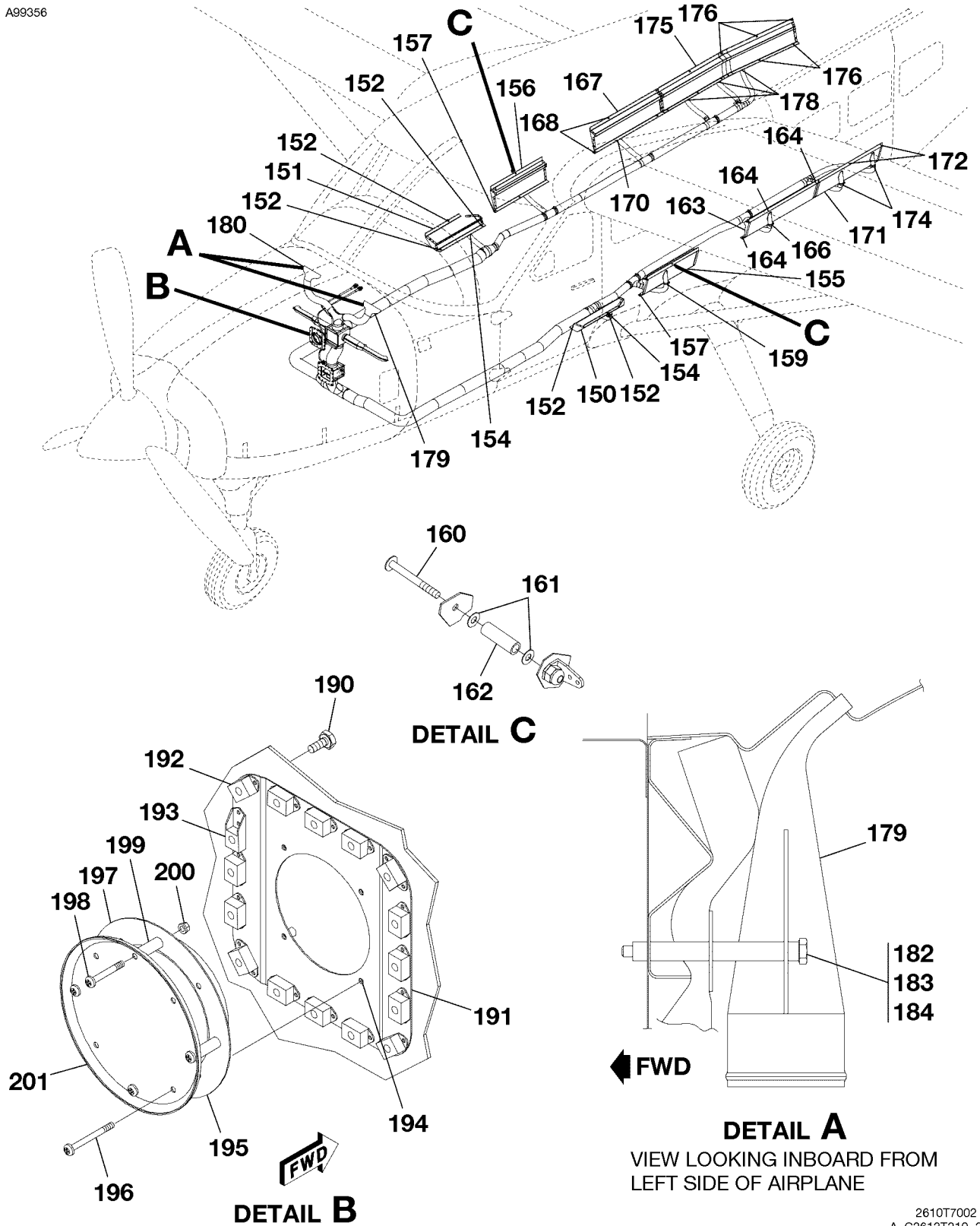
- ITEM NOT ILLUSTRATED



CESSNA®  
MODEL 208

ILLUSTRATED PARTS CATALOG

A99356



CABIN HEATING AND DEFROSTING SYSTEM - PASSENGER VERSION  
FIGURE 01A (SHEET 3)

2610T7002  
A-C2613T210-2

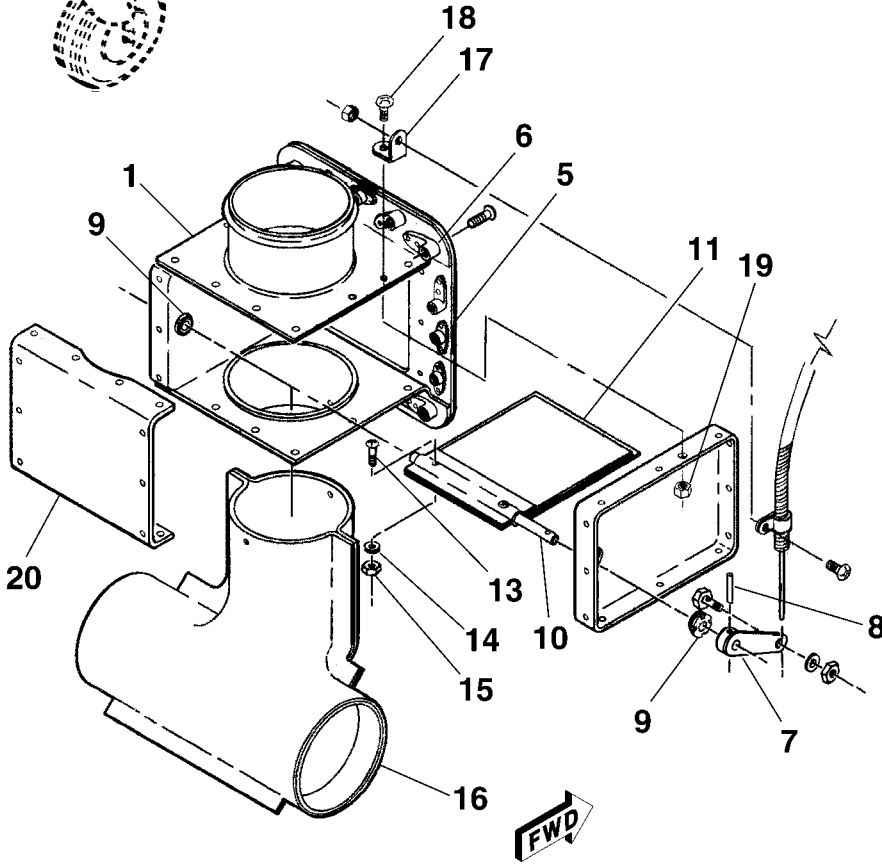
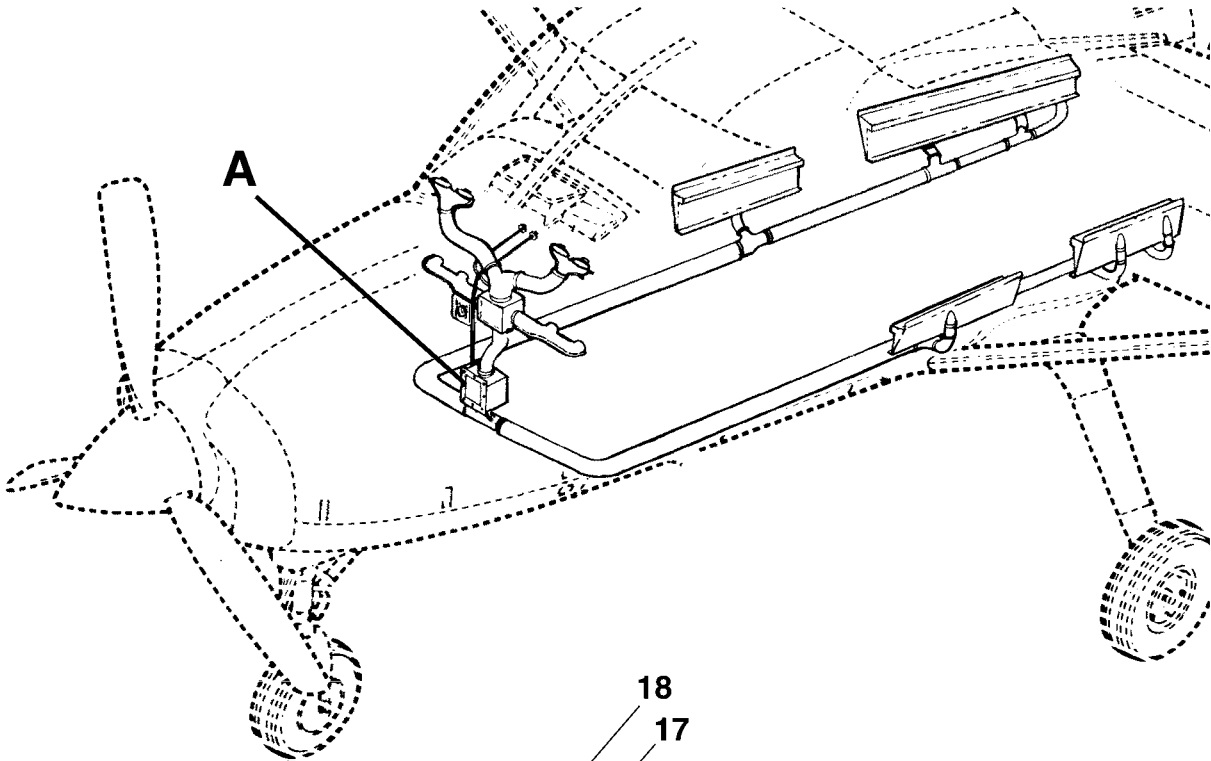
**CESSNA®**  
**MODEL 208**  
**ILLUSTRATED PARTS CATALOG**

FIG ITEM	PART NUMBER	NOMENCLATURE	UNITS
			PER ASSY
		1 2 3 4 5 6 7	
01A			
150	2615111-31	. PLENUM-LH FWD HEATER DUCT . . . . .	01
151	2615111-36	. PLENUM-RH FWD HEATER DUCT . . . . .	01
		ATTACHING PARTS	
152	AN525-832R6	. SCREW . . . . .	03
		—*—	
- 153	S1021Z4-4B	. . SCREW-END CAP ATTACH . . . . .	08
154	NAS1922-0125-1	. CLAMP . . . . .	02
155	2615111-45	. PLENUM-LH MID HEATER DUCT . . . . .	01
156	2615111-46	. PLENUM-RH MID HEATER DUCT . . . . .	01
		ATTACHING PARTS	
157	AN525-832R6	. SCREW . . . . .	02
		—*—	
- 158	S1021Z4-4B	. . SCREW-END CAP ATTACH . . . . .	08
159	NAS1922-0125-1	. CLAMP . . . . .	01
160	AN525-832R24	. SCREW . . . . .	02
161	NAS1149FN816P	. WASHER . . . . .	04
162	NAS43DD3-62FC	. SPACER . . . . .	02
163	2615111-25	. PLENUM-ASSY LH AFT . . . . .	01
		ATTACHING PARTS	
164	AN525-832R6	. SCREW . . . . .	04
		—*—	
- 165	S1021Z4-4B	. . SCREW-END CAP ATTACH . . . . .	08
166	NAS1922-0125-1	. CLAMP . . . . .	01
167	2615111-28	. PLENUM-ASSY RH AFT . . . . .	01
		ATTACHING PARTS	
168	AN525-832R6	. SCREW . . . . .	03
		—*—	
- 169	S1021Z4-4B	. . SCREW-END CAP ATTACH . . . . .	08
170	NAS1922-0125-1	. CLAMP . . . . .	01
171	2615111-3	. PLENUM-HEATER DUCT ASSY LH AFT . . . . .	01
		ATTACHING PARTS	
172	AN525-832R6	. SCREW . . . . .	05
		—*—	
- 173	S1021Z4-4B	. . SCREW-END CAP ATTACH . . . . .	08
174	NAS1922-0125-1	. CLAMP . . . . .	02
175	2615111-4	. PLENUM-HEATER DUCT ASSY RH AFT . . . . .	01
		ATTACHING PARTS	
176	AN525-832R6	. SCREW . . . . .	05
		—*—	
- 177	S1021Z4-4B	. . SCREW-END CAP ATTACH . . . . .	08
178	NAS1922-0125-1	. CLAMP . . . . .	03
179	2613289-21	. NOZZLE ASSY-LH DEFROST . . . . .	01
180	2613289-22	. NOZZLE ASSY-RH DEFROST . . . . .	01
		ATTACHING PARTS	
- 181	MS35207-260	. SCREW . . . . .	02
182	2613204-3	. SPACER ASSY . . . . .	01
183	NAS43DD3-12FC	. SPACER . . . . .	01
184	AN3-30A	. BOLT . . . . .	01
		—*—	
- 185	MS21047L3K	. . NUTPLATE . . . . .	02
- 186	2613289-13	. . BRACKET ASSY . . . . .	01
- 187	2613289-11	. . BRACKET ASSY . . . . .	01
- 188	S1741-1	. . ANCHOR-WIRE BUNDLE . . . . .	01
- 189	2613352-1	. DUCT ASSY-RETURN AIR . . . . .	01
		ATTACHING PARTS	
190	AN3-5A	. BOLT . . . . .	16
		—*—	
191	2613352-3	. MOUNT ASSY . . . . .	01
192	MS21059L3	. . NUTPLATE . . . . .	15
193	MS21061L3	. . NUTPLATE . . . . .	01
194	MS21047L06	. . NUTPLATE . . . . .	04
195	2613352-2	. INLET ASSY . . . . .	01
		ATTACHING PARTS	
196	MS35206-329	. SCREW . . . . .	04
		—*—	
197	2613352-7	. . FLANGE . . . . .	01
		ATTACHING PARTS	
198	MS35206-234	. . SCREW . . . . .	04
199	NAS43DD1-48FC	. . SPACER ALT FOR NAS43DD1-48N . . . . .	04
200	MS21045-06	. . NUT . . . . .	04
		—*—	
201	2613352-5	. . CAP . . . . .	01

- ITEM NOT ILLUSTRATED

CESSNA®  
**MODEL 208**  
ILLUSTRATED PARTS CATALOG

A25207



**DETAIL A**

HEATER AND DEFROSTER VALVE ASSEMBLIES  
FIGURE 01 (SHEET 1)

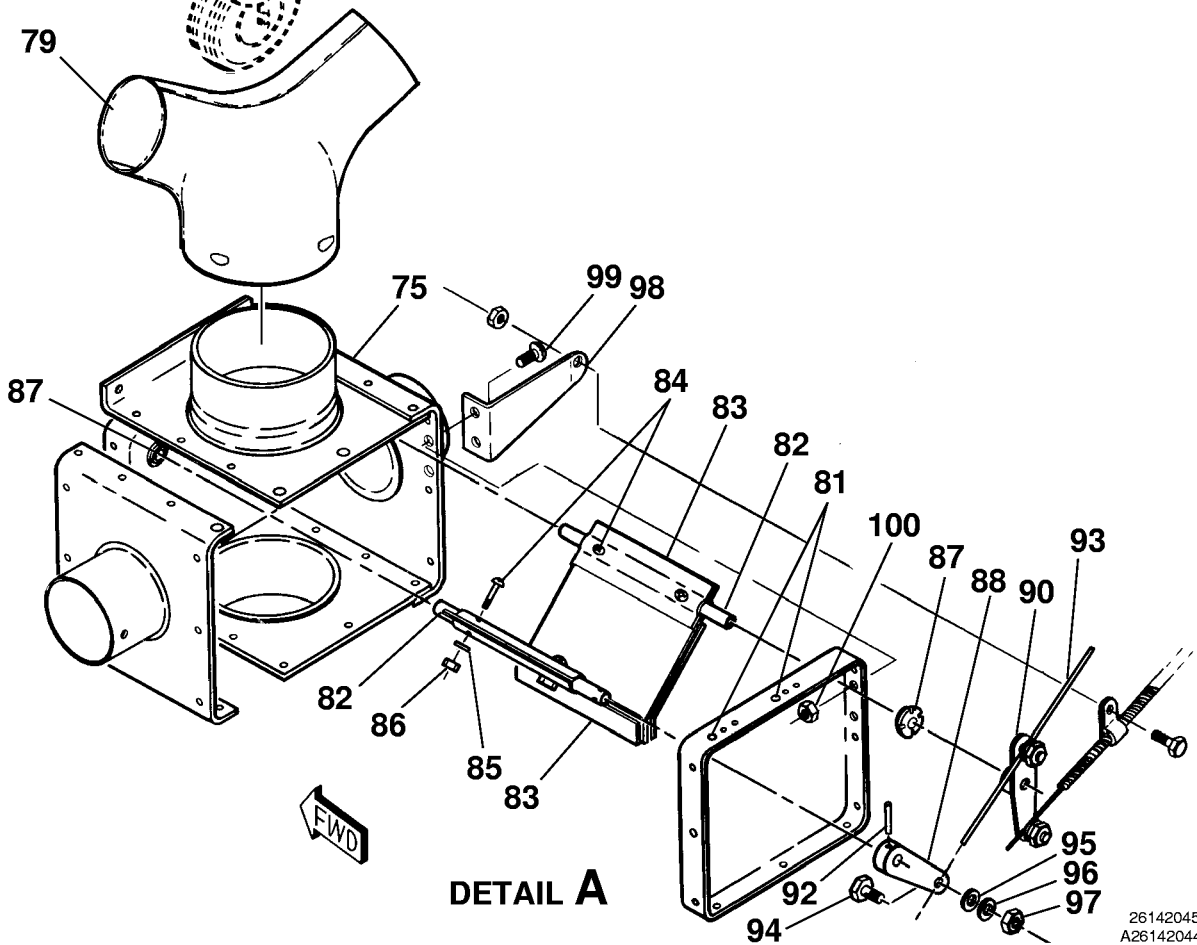
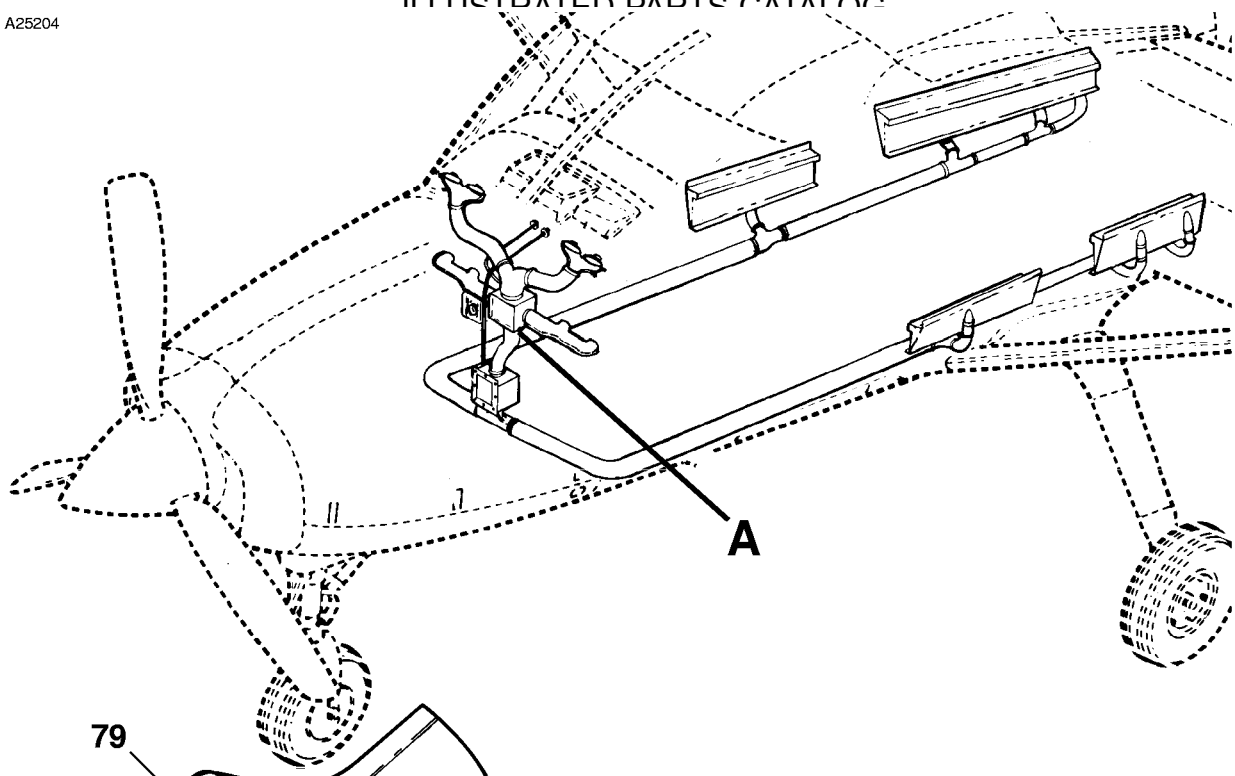
26142045  
A26142043

**CESSNA®**  
**MODEL 208**  
**ILLUSTRATED PARTS CATALOG**

FIG ITEM	PART NUMBER	NOMENCLATURE	UNITS PER ASSY		
			1	2	3
01		HEATER AND DEFROSTER VALVE ASSEMBLIES			RF
- 1	2613184-11	. VALVE ASSY-HEATER FSO 2613184-46	0001	0202	NP
			B0001	B0261	
- 2	2613184-35	. VALVE ASSY-HEATER FSO 2613184-46	0203	0212	NP
			B0262	B0294	
- 3	2613184-40	. VALVE ASSY-HEATER FSO 2613184-46	0213	0216	NP
			B0295	B0303	
- 4	2613184-46	. VALVE ASSY-HEATER	0217	& ON	01
			B0304	& ON	
5	MS21047L3	. . . NUTPLATE			07
6	NAS682A3	. . . NUTPLATE			09
7	S2280-16-38	. . . ARM ASSY-HEATER VALVE			01
		ATTACHING PARTS			
8	MS16562-17	. . . PIN			01
		—*—			
9	S1080-1	. . . GROMMET			02
10	2613044-1	. . . SHAFT-HEATER VALVE FLAPPER			01
11	2613234-1	. . . FLAPPER ASSY-HEATER VALVE FSO SK208-82	0001	0202	NP
			B0001	B0261	
- 12	2613443-1	. . . FLAPPER ASSY-HEATER VALVE	0203	& ON	01
			B0262	& ON	
		ATTACHING PARTS			
13	MS35206-217	. . . SCREW			02
14	NAS1149FN416P	. . . WASHER			02
15	MS21044N04	. . . NUT			02
		—*—			
16	2613354-1	. . . WYE ASSY- HEATER			01
17	AN743-12	. . . BRACKET			01
		ATTACHING PARTS			
18	MS35206-244	. . . SCREW			01
19	MS21044N08	. . . NUT			01
		—*—			
20	2613184-19	. . . COVER VALVE	0001	0216	01 R
			B0001	B0303	
- 20A	2613184-45	. . . COVER VALVE	0217	& ON	01 R
			B0304	& ON	

CESSNA®  
**MODEL 208**  
 ILLUSTRATED PARTS CATALOG

A25204



**HEATER AND DEFROSTER VALVE ASSEMBLIES**  
 FIGURE 01 (SHEET 2)

26142045  
 A26142044

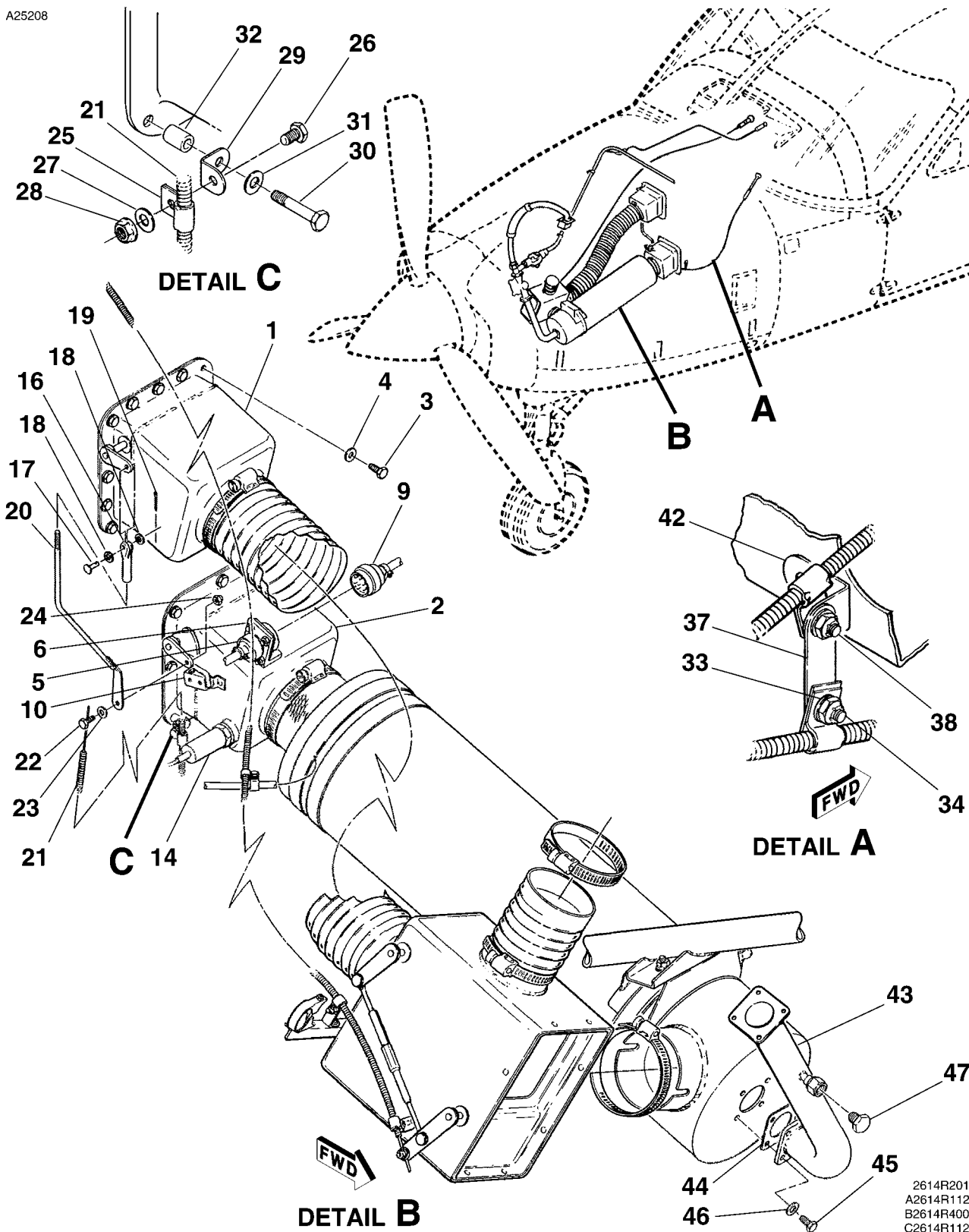
CESSNA®  
**MODEL 208**  
 ILLUSTRATED PARTS CATALOG

FIG ITEM	PART NUMBER	NOMENCLATURE	UNITS PER ASSY		
			1	2	3
01					
75	2613184-1	. VALVE ASSY-DEFROSTER FSO 2613184-47 PASSENGER VERSION. . . . .	0001	0186	NP
			B0214	B0215	
- 76	2613184-34	. VALVE ASSY-DEFROSTER FSO 2613184-47. . . . .	0187	0201	NP
			B0001	B0258	
- 77	2613184-39	. VALVE ASSY-DEFROSTER FSO 2613184-47. . . . .	0202	0220	NP
			B0259	B0312	
- 78	2613184-47	. VALVE ASSY-DEFROSTER . . . . .	0221	& ON	01
			B0313	& ON	
79	2613845-1	. . WYE ASSY . . . . .	0001	0201	01
			B0001	B0258	
- 80	2613449-1	. . WYE ASSY . . . . .	0202	& ON	01
			B0259	& ON	
81	MS21051L08	. . NUTPLATE . . . . .			02
82	2613044-1	. . SHAFT-DEFROSTER VALVE FLAPPER . . . . .			02
83	2613212-1	. . FLAPPER ASSY-DEFROSTER VALVE . . . . .			02
		ATTACHING PARTS			
84	MS35206-217	. . SCREW . . . . .			02
85	NAS1149FN416P	. . WASHER . . . . .			02
86	MS21044N04	. . NUT . . . . .			02
		—*—			
87	S1080-1	. . GROMMET . . . . .			04
88	S2280-10-82	. . ARM ASSY-DEFROSTER VALVE . . . . .	0001	0220	01
			B0001	B0312	
- 89	2613456-1	. . ARM ASSY-DEFROSTER VALVE . . . . .	0221	& ON	01
			B0313	& ON	
90	2613233-1	. . ARM ASSY-DEFROSTER VALVE FSO 2613455-1. . . . .	0001	0220	NP
			B0001	B0312	
- 91	2613455-1	. . ARM ASSY-DEFROSTER VALVE . . . . .	0221	& ON	01
			B0313	& ON	
		ATTACHING PARTS			
92	MS16562-17	. . PIN . . . . .			01
		—*—			
93	2613184-23	. . BAR . . . . .			01
		ATTACHING PARTS			
94	S2323-19	. . CLAMP . . . . .			02
95	NAS1149F0332P	. . WASHER . . . . .			02
96	NAS1149F0363P	. . WASHER . . . . .			02
97	MS20364-1032C	. . NUT . . . . .			02
		—*—			
98	2613184-30	. BRACKET . . . . .			01
		ATTACHING PARTS			
99	MS35206-228	. . SCREW . . . . .			02
100	MS21042-06	. . NUT . . . . .			02
		—*—			

- ITEM NOT ILLUSTRATED

CESSNA®  
**MODEL 208**  
 ILLUSTRATED PARTS CATALOG

A25208



2614R2019  
 A2614R1121  
 B2614R4008  
 C2614R1120

**BLEED AIR HEATER COMPONENTS**  
 FIGURE 01 (SHEET 1)

**CESSNA®**  
**MODEL 208**  
**ILLUSTRATED PARTS CATALOG**

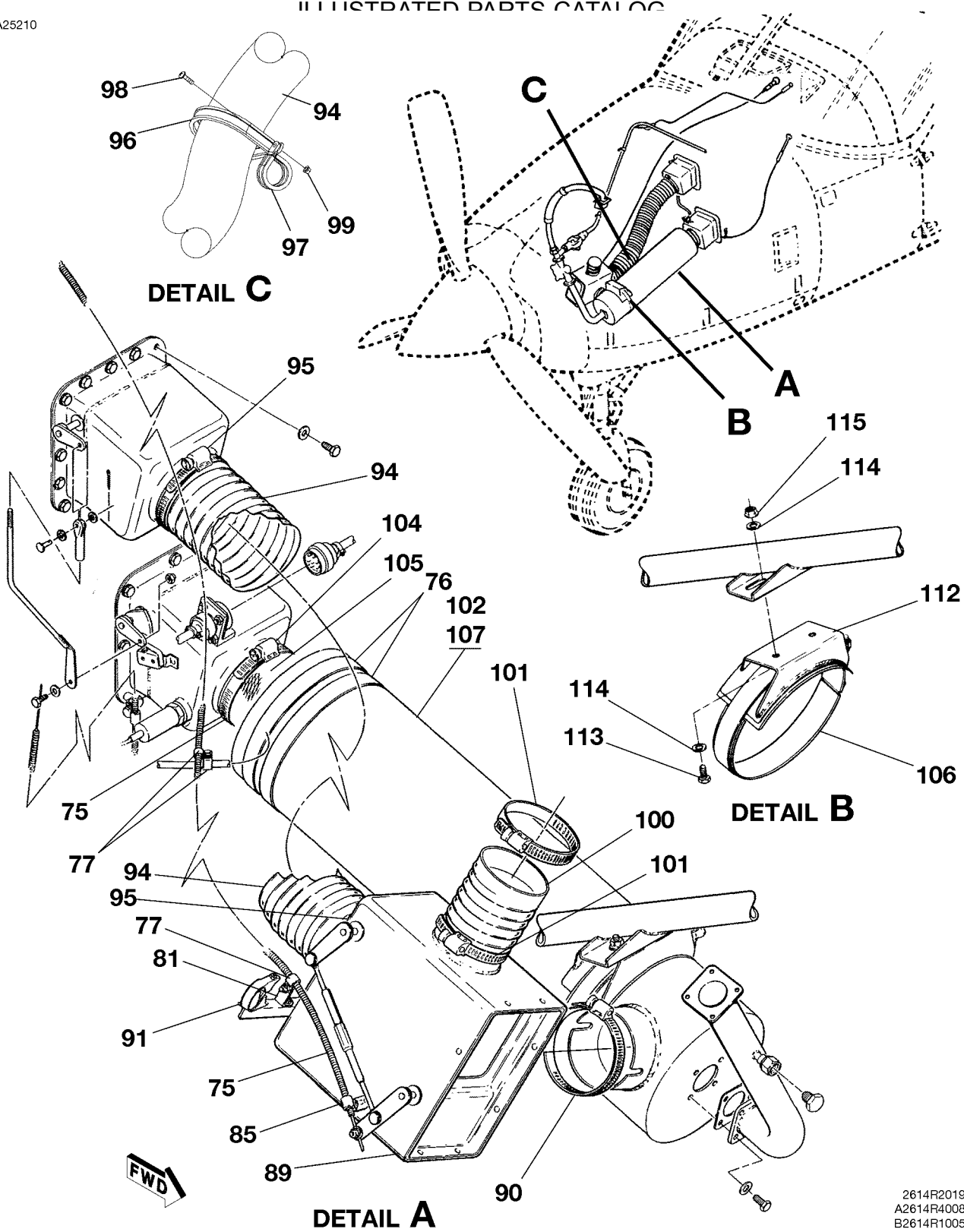
FIG ITEM	PART NUMBER	NOMENCLATURE	UNITS					
			PER	ASSY				
		1	2	3	4	5	6	7
01		BLEED AIR HEATER COMPONENTS						
- 1		. SHUTOFF VALVE-CABIN RETURN AIR REFER TO 21-41-02 FIGURE 02 . . .						RF
2		. SHUTOFF VALVE-CABIN HEAT REFER TO 21-41-02 FIGURE 02 . . . . .						RF
		ATTACHING PARTS						
3	AN3-5A	. BOLT . . . . .						16
4	NAS1149F0332P	. WASHER . . . . .						16
		—*—						
5	S2654-10	. CONNECTOR ASSY . . . . .						01
6	MS35206-217	. SCREW-CONNECTOR ASSY ATTACH . . . . .						04
- 7	NAS1149FN416P	. WASHER-CONNECTOR ASSY ATTACH . . . . .						04
- 8	MS21042L4	. NUT-CONNECTOR ASSY ATTACH . . . . .						04
9	S2654-14	. CONNECTOR ASSY . . . . .						01
10	S2088-4	. SWITCH-HEATER BLEED AIR . . . . .						01
		ATTACHING PARTS						
- 11	MS35206-207	. SCREW . . . . .						02
- 12	1560218-1	. PLATE ASSY-SWITCH ATTACH FSO 2670166-30 . . . . .				0001	0537	NP
						B1000	B2347	
- 12A	2670166-30	. PLATE ASSY-SWITCH ATTACH . . . . .				0538	& ON	01
						B2348	& ON	
		—*—						
- 13	JE17	. ACTUATOR-SWITCH . . . . . V91929						01
14	81667-1	. SWITCH-TEMPERATURE BLEED AIR . . . . . V09790						01
- 15	1173T0400	. SWITCH-TEMPERATURE BLEED AIR ALT FOR 81667-1 . . . . . V98087						01
16	AN665-21R	. TERMINAL-TIE ROD . . . . .						01
		ATTACHING PARTS						
17	MS20392-2C13	. PIN . . . . .						01
18	NAS1149F0363P	. WASHER . . . . .						01
19	MS24665-132	. COTTER PIN . . . . .						01
		—*—						
20	2611191-1	. ROD ASSY-CONNECTING . . . . .						01
21	S1241-55	. CONTROL ASSY-BLEED AIR FSO S1241-57 . . . . .				0001	0131	NP
						B001	B0054	
- 21A	S1241-57	. CONTROL ASSY-BLEED AIR . . . . .				0132	& ON	01
						B0055	& ON	
- 21B	H990000	. SPIRAL WRAP . . . . . B5315					& ON	AR R
22	S2323-11	. CLAMP . . . . .						01
23	NAS1149F0332P	. WASHER . . . . .						01
24	MS21043-3	. NUT . . . . .						01
25	S2226-2	. CLAMP . . . . .						01
26	AN3-3A	. BOLT . . . . .						01
27	NAS1149F0332P	. WASHER . . . . .						01
28	MS21043-3	. NUT . . . . .						01
29	S2300-24	. BRACKET . . . . .						01
		ATTACHING PARTS						
30	AN3-10A	. BOLT . . . . .						01
31	NAS1149F0332P	. WASHER . . . . .						01
32	NAS43DD3-27N	. SPACER . . . . .						01
- 32A	NAS43DD3-27FC	. SPACER ALT FOR NAS43DD3-27N . . . . .						01
		—*—						
33	S2226-3	. CLAMP . . . . .						01
		ATTACHING PARTS						
34	AN525-10R7	. SCREW . . . . .						01
- 35	NAS1149F0332P	. WASHER . . . . .						01
- 36	MS21044N3	. NUT . . . . .						01
		—*—						
37	S2300-11	. BRACKET . . . . .						01
		ATTACHING PARTS						
38	AN525-10R7	. SCREW . . . . .						01
- 39	AN525-10R12	. SCREW USED WHEN RUDDER CONTROL LOCK INSTALLED . . . . .						01
- 40	NAS1149F0332P	. WASHER . . . . .						01
- 41	MS21044N3	. NUT . . . . .						01
		—*—						
42		. CABIN FLOORBOARDS REFER TO 53-20-00 FIGURE 01 . . . . .						RF
43	2654013-1	. TUBE ASSY-CONNECTOR FSO 2654013-5 . . . . .				0001	0139	01
						B0001	B0139	
- 43A	2654013-5	. TUBE ASSY-CONNECTOR . . . . .				0140	& ON	01
						B0106	B4999	
- 43B	2650056-4	. TUBE ASSY-CONNECTOR . . . . .				B5000	B5314	01
- 43C	2650056-14	. TUBE ASSY-CONNECTOR . . . . .				B5315	& ON	01
		ATTACHING PARTS						
44	2654013-4	. GASKET . . . . .						01
45	MS20074-03-04	. BOLT . . . . .						04
46	NAS1149F0332P	. WASHER . . . . .						04
		—*—						
47	AN806D4	. PLUG . . . . .						01
- 48	MS24404D4	. PLUG ALT FOR AN806D4 . . . . .						01

- ITEM NOT ILLUSTRATED



CESSNA®  
**MODEL 208**  
 ILLUSTRATED PARTS CATALOG

A25210



**DETAIL A**  
**DETAIL B**  
**DETAIL C**

BLEED AIR HEATER COMPONENTS  
 FIGURE 01 (SHEET 2)

2614R2019  
 A2614R4008  
 B2614R1005  
 C2614T1492

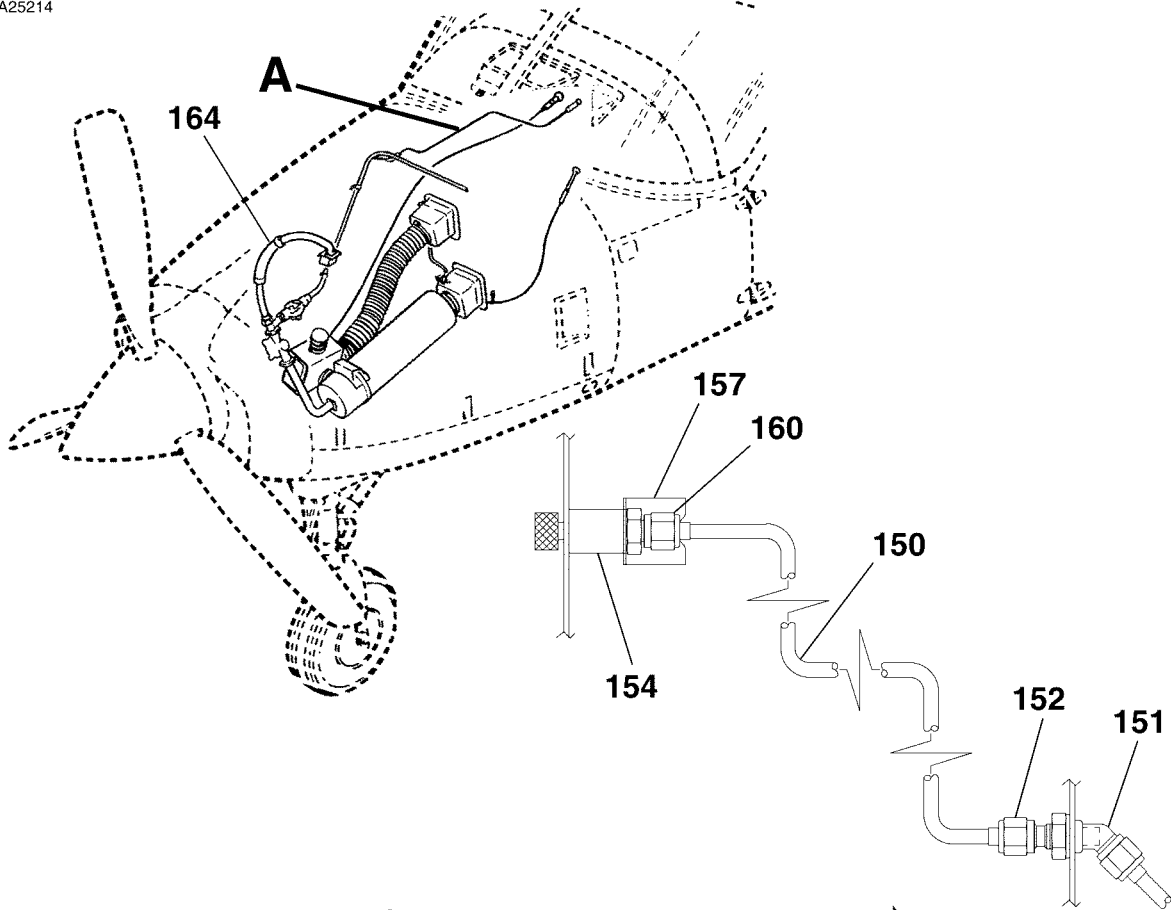
**CESSNA®**  
**MODEL 208**  
**ILLUSTRATED PARTS CATALOG**

FIG ITEM	PART NUMBER	NOMENCLATURE	UNITS			
			PER	ASSY		
01						
75		. LOWER INSTRUMENT PANEL EQUIPMENT REFER TO 24-50-00 FIGURE 01 . . . . .				RF
76		. ENGINE CONTROLS REFER TO 76-10-01 FIGURE 01 . . . . .				RF
77	S2226-3	. CLAMP . . . . . ATTACHING PARTS				03
- 78	AN3-3A	. BOLT . . . . .				01
- 79	NAS1149F0332P	. WASHER . . . . .				01
- 80	MS21043-3	. NUT . . . . . *—				01
81	2650026-3	. BRACKET . . . . . ATTACHING PARTS				01
- 82	AN3-3A	. BOLT . . . . .				09
- 83	NAS1149F0332P	. WASHER . . . . .				01
- 84	MS21043-3	. NUT . . . . . *—				01
85	S2226-2	. CLAMP . . . . . ATTACHING PARTS				01
- 86	AN3-3A	. BOLT . . . . .				01
- 87	NAS1149F0332P	. WASHER . . . . .				01
- 88	MS21043-3	. NUT . . . . . *—				01
89		. DIVERTER VALVE ASSY REFER TO 21-41-02 FIGURE 02 . . . . . ATTACHING PARTS				RF
90	S1891-40S	. CLAMP . . . . .				01
91	S1601-18	. CLAMP . . . . .				01
- 92	AN3-14A	. BOLT . . . . .				01
- 93	MS21043-3	. NUT . . . . . *—				01
94	S1053K22T	. DUCT-FLEX BKI 27.000 IN LG . . . . . ATTACHING PARTS				01
95	S1891-40S	. CLAMP . . . . .				02
96	MS21919DG46	. CLAMP . . . . .		B5000 & ON		01
97	MS21919DG18	. CLAMP . . . . .		B5000 & ON		01
98	MS35207-264	. SCREW . . . . .		B5000 & ON		01
99	MS21042-3	. NUT . . . . .		B5000 & ON		01
- 99A	NAS1291X3	. NUT-ALT FOR MS21042-3 . . . . . *—		B5000 & ON		01
100	S2655-1	. DUCT-FLEX . . . . . ATTACHING PARTS				01
101	S1891-40S	. CLAMP . . . . . *—				02
102	82260-1	. AIR EJECTOR ASSY . . . . .	V09790	0001 0193		01
- 103	2613421-1	. MIXER-MUFFLER ASSY . . . . .		B0001 B0223 0194 & ON B0224 & ON		01
104	S1891-56S	. CLAMP . . . . .				02
105	S2258-4-3.00	. SLEEVING . . . . .				01
106	2654012-2	. CLAMP ASSY . . . . . *—				01
107	2613421-2	. MIXER-MUFFLER ASSY REFER TO NOTE 1 . . . . .		B5242 & ON		01
- 108	NAS43DD3-20FC	. SPACER-AFT REFER TO NOTE 1 . . . . .		B5242 & ON		02
- 108A	NAS43DD3-40FC	. SPACER-AFT . . . . .		B2324 B2324		02
- 109	AN3-11A	. BOLT-AFT REFER TO NOTE 1 . . . . .		B5242 & ON		02
- 109A	AN3-10A	. BOLT-AFT . . . . .		B2324 B2324		02
- 110	NAS43DD3-16FC	. SPACER FWD REFER TO NOTE 1 . . . . .		B5242 & ON		AR
- 110A	NAS43DD3-31FC	. SPACER FWD . . . . .		B2324 B2324		AR
- 111	AN3-6A	. BOLT FWD REFER TO NOTE 1 . . . . .		B5242 & ON		AR
- 111A	AN3-8A	. BOLT FWD . . . . .		B2324 B2324		AR
112	2654012-1	. BRACKET ASSY-MUFFLER MOUNTING . . . . . ATTACHING PARTS				01
113	AN3-4A	. BOLT . . . . .				02
114	S1450-3-10-062	. WASHER . . . . .				04
115	MS21043-3	. NUT . . . . . *—				02

NOTE 1—USED ON EASA CERTIFIED AIRPLANES

CESSNA®  
**MODEL 208**  
 ILLUSTRATED PARTS CATALOG

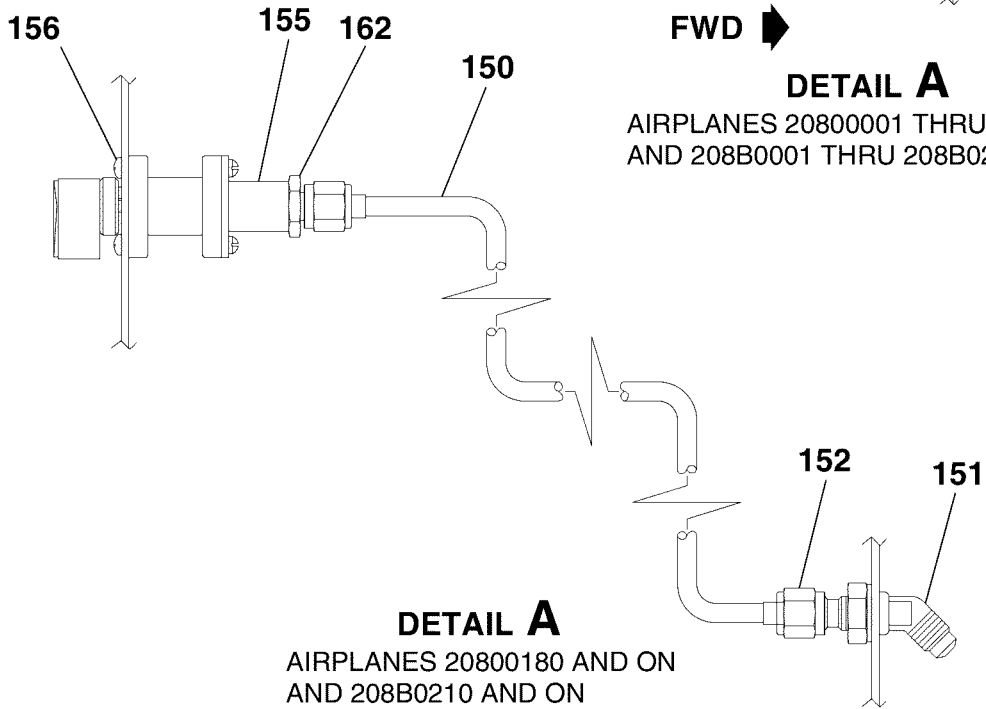
A25214



FWD ➔

**DETAIL A**

AIRPLANES 20800001 THRU 20800179  
 AND 208B0001 THRU 208B0209



**DETAIL A**

AIRPLANES 20800180 AND ON  
 AND 208B0210 AND ON

BLEED AIR HEATER COMPONENTS  
 FIGURE 01 (SHEET 3)

2614X2019  
 A2614T1104  
 A2614T1104A

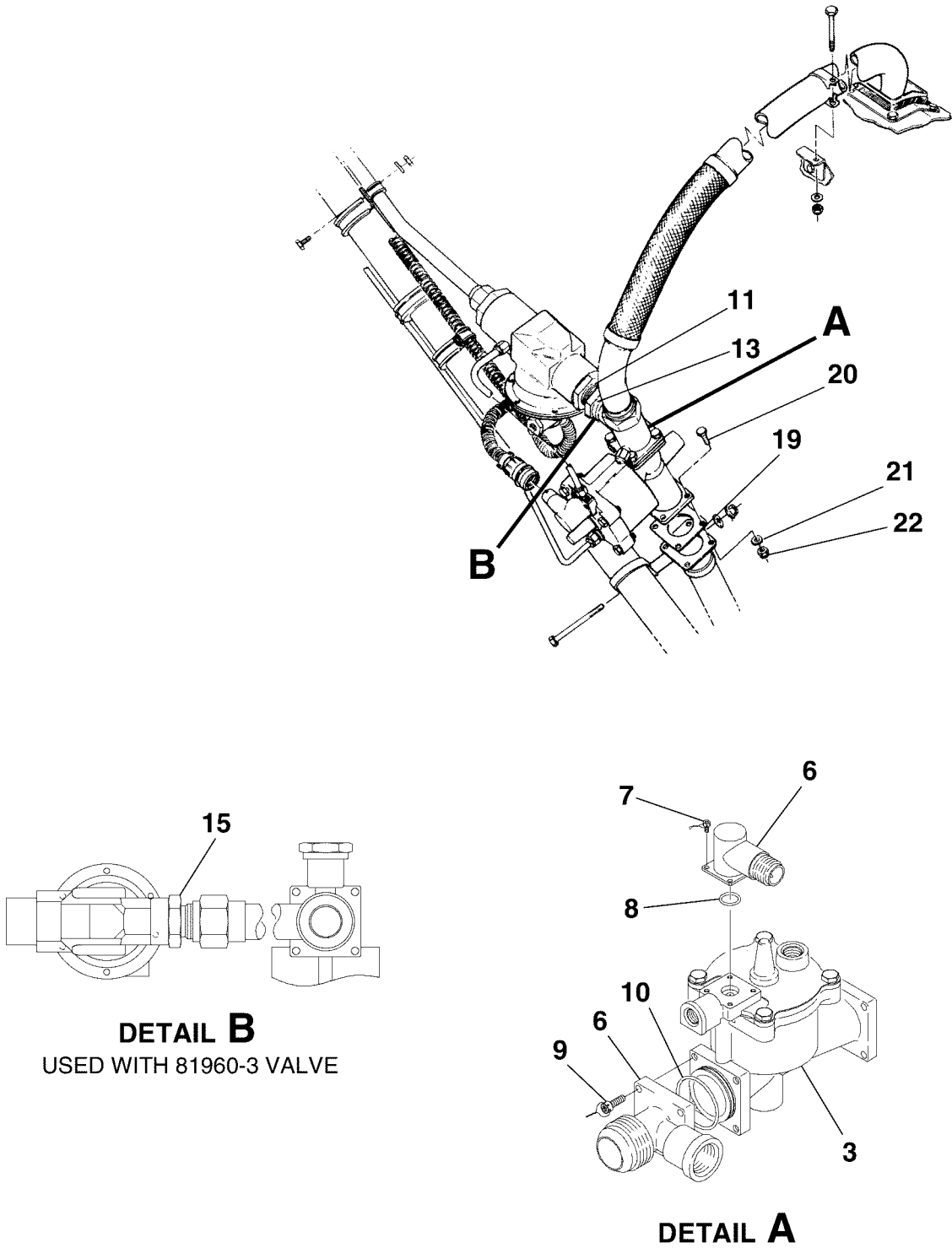
**CESSNA®**  
**MODEL 208**  
**ILLUSTRATED PARTS CATALOG**

FIG ITEM	PART NUMBER	NOMENCLATURE	UNITS PER ASSY		
			1	2	3
01					
150	2600100-36	. TUBE ASSY . . . . .	0001	0499	01
			B0001	B1999	
- 150A	2600100-67	. TUBE ASSY . . . . .	0500	& ON	01
			B2000	& ON	
- 150B	2613184-48	. BRACKET . . . . .	0500	& ON	01
			B2000	& ON	
- 150C	MS21919WDG4	. CLAMP . . . . .	0500	& ON	01
			B2000	& ON	
		ATTACHING PARTS			
- 150D	AN525-10R7	. SCREW . . . . .			01
- 150E	MS21044N3	. NUT . . . . .			01
		—*—			
151	AN837-4	. ELBOW . . . . .			01
		ATTACHING PARTS			
152	AN924-4D	. NUT . . . . .			01
- 153	NAS1149F0763P	. WASHER . . . . .			01
		—*—			
154	82148-2	. CONTROL VALVE ASSY-TEMPERATURE REFER TO NOTE 1 . . . . .	V09790	0001	0179
				B0001	B0209
155	1H102-2	. CONTROL VALVE ASSY-TEMPERATURE REFER TO NOTE 2 AND NOTE 3 . V26433	0180	& ON	01
			B0210	& ON	
		ATTACHING PARTS			
156	MS35214-25	. SCREW . . . . .			01
		—*—			
157	2613378-1	. BRACKET ASSY REFER TO NOTE 1 . . . . .	0001	0179	01
			B0001	B0209	
		ATTACHING PARTS			
- 158	MS35206-242	. SCREW . . . . .			02
		—*—			
- 159	MS21047L08	. . . NUTPLATE . . . . .			02
160	AN924-4D	. NUT REFER TO NOTE 1 . . . . .	0001	0179	01
			B0001	B0209	
- 161	NAS1149D0763H	. WASHER REFER TO NOTE 1 . . . . .	0001	0179	01
			B0001	B0209	
162	AS5174D0404	. UNION . . . . .			01
- 163	M83248/1-904	. O-RING . . . . .			01
164		. FLOW CONTROL VALVE & PRESSURE REGULATOR INST REFER TO 21-41-01 FIGURE 01 AND 02 . . . . .			RF

NOTE 1—AIRPLANES -0001 THRU -0179 AND -B0001 THRU -B0209 NOT INCORPORATING SK208-70  
NOTE 2—AIRPLANES -0180 & ON AND -B0210 AND ON AND -0001 THRU -0179 AND -B0001 THRU -B0209 INCORPORATING SK208-70  
NOTE 3—REFER TO THE MAINTENANCE MANUAL FOR THE SUPPLIER PUBLICATION LIST.

CESSNA®  
**MODEL 208**  
ILLUSTRATED PARTS CATALOG

A25219



FLOW CONTROL VALVE INSTALLATION  
FIGURE 01 (SHEET 1)

26143022  
A2614T1064(2)  
B2614T1116

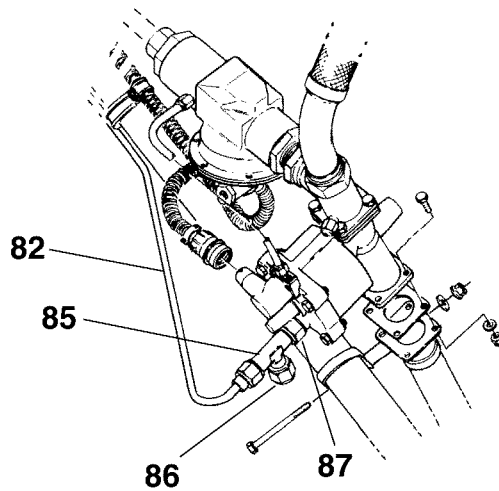
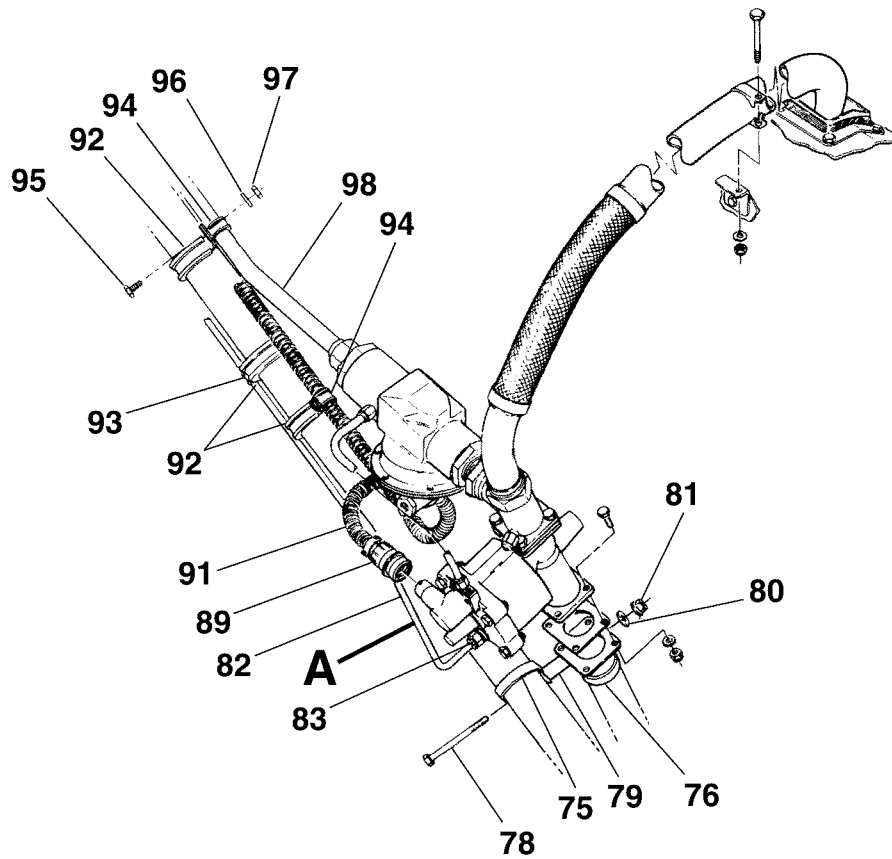
**CESSNA®**  
**MODEL 208**  
**ILLUSTRATED PARTS CATALOG**

FIG ITEM	PART NUMBER	NOMENCLATURE	UNITS		
			1	2	PER ASSY
01		FLOW CONTROL VALVE INSTALLATION REFER TO NOTE 1			
-			0001	0179	RF
			B0001	B0209	
- 1	81965-4	. FLOW CONTROL VALVE AND PRESSURE REGULATOR ASSY FSO V09790 SK208-70 . . . . .	0001	0129	NP
			B0001	B0082	
- 2	81965-7	. FLOW CONTROL VALVE AND PRESSURE REGULATOR ASSY FSO V09790 SK208-70 . . . . .	0130	0179	NP
			B0083	B0209	
3	81960-2	. VALVE ASSY-FLOW CONTROL . . . . . V09790	0001	0129	01
			B0001	B0082	
- 4		. . . DELETED-NOT USED . . . . .			
- 5	81960-5	. VALVE ASSY FLOW CONTROL . . . . . V09790	0130	0179	01
			B0082	B0209	
6		. . . NOT PROCURABLE-ORDER COMPLETE VALVE ASSY . . . . .			RF
7	MS35275-214	. . . SCREW . . . . .			04
8	AS3582-014	. . . O-RING . . . . .			01
9	MS35275-246	. . . SCREW . . . . .			04
10	AS3582-027	. . . O-RING . . . . .			04
11	AS5178R10	. . . NUT USED WITH 81960-2 VALVE . . . . .			01 R
- 12	MS29513-117	. . . O-RING USED WITH 81960-2 VALVE . . . . .			01
13	MS24393C10	. . . UNION USED WITH 81960-2 VALVE . . . . .			01
- 14	MS29513-117	. . . O- RING USED WITH 81960-2 VALVE . . . . .			01
15	AS5174J1010	. . . UNION USED WITH 81960-3 VALVE . . . . .			01
- 16	MS29513-117	. . . O-RING USED WITH 81960-3 VALVE . . . . .			01
- 17	82253-1	. . . LINE ASSY USED WITH 81960-2 VALVE FSO SK208-70 . . . . .			NP
- 18	82874-1	. . . LINE ASSY USED WITH 81960-3 VALVE FSO SK208-70 . . . . .			NP
19	2654013-4	. . . GASKET . . . . .			01
20	AN3-7A	. . . BOLT . . . . .			04
21	NAS1149F0363P	. . . WASHER . . . . .			04
22	MS21043-3	. . . NUT . . . . .			04

NOTE 1—AIRPLANES NOT INCORPORATING SK208-70

CESSNA®  
MODEL 208  
ILLUSTRATED PARTS CATALOG

A25223



**DETAIL A**

AIRPLANES 20800140 THRU 20800179  
AND 208B0106 THRU 208B0179

FLOW CONTROL VALVE INSTALLATION  
FIGURE 01 (SHEET 2)

26143022  
A26141103

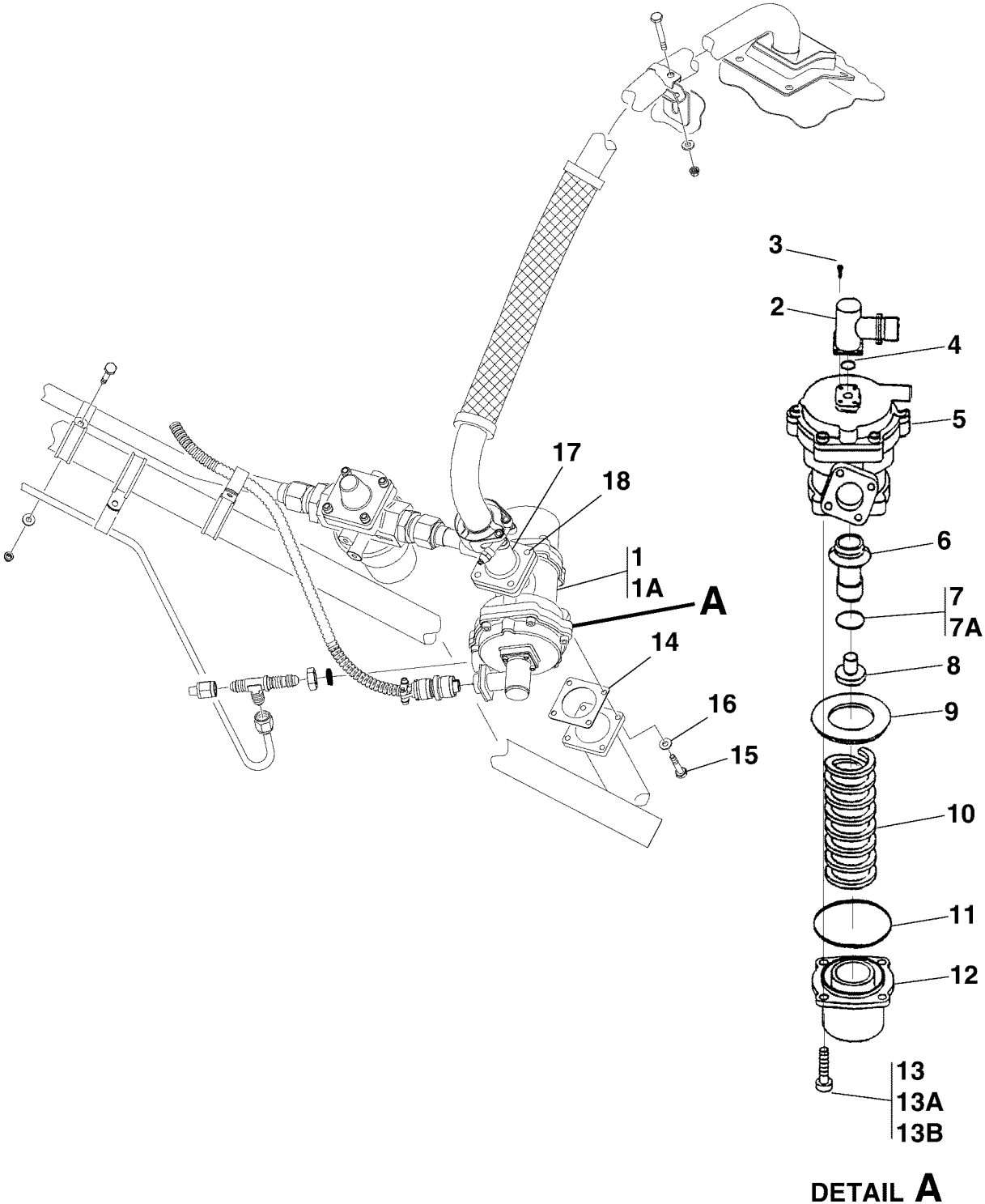
CESSNA®  
**MODEL 208**  
 ILLUSTRATED PARTS CATALOG

FIG ITEM	PART NUMBER	NOMENCLATURE	UNITS PER ASSY		
			1	2	3
01					
75	S1601-20	. CLAMP . . . . .			01
76	MS27405-10P	. CLAMP . . . . .			01
- 77	AN741-10P	. CLAMP ALT FOR MS27405-10P . . . . .			01
		ATTACHING PARTS			
78	AN3-34A	. BOLT . . . . .			01
79	NAS43DD3-72N	. SPACER . . . . .			01
- 79A	NAS43DD3-72FC	. SPACER ALT FOR NAS43DD3-72N . . . . .			01
80	NAS1149C0332R	. WASHER . . . . .			01
81	MS21043-3	. NUT . . . . .			01
		—*—			
82	2600100-35	. LINE ASSY-FCV EXTENSION . . . . .			01
83	AS5174-0404	. UNION . . . . .	0001	0139	01
- 84	M83248/1-904	. O-RING . . . . .	B0001	B0105	01
			0001	0139	
85	AS1033D040404	. TEE . . . . .	B0001	B0105	01
			0140	0179	
86	AN929-4W	. CAP ASSY . . . . .	B0106	B0209	01
			0140	0179	
87	AN924-4D	. NUT . . . . .	B0106	B0209	01
			0140	0179	
- 88	M83248/1-904	. O-RING . . . . .	B0106	B0209	01
			B0106	B0209	
89	1.5KE51CA	. TRANSORB . . . . .	V24444		01
- 90	S1370-0	. SPLICE . . . . .			01
91	S2562-1	. TUBING BKI . . . . .			AR
92	MS21919DG20	. CLAMP . . . . .			AR
93	MS9025-03	. CLAMP . . . . .			AR
94	MS9025-09	. CLAMP . . . . .			AR
		ATTACHING PARTS			
95	MS35207-264	. SCREW . . . . .			01
96	NAS1149F0332P	. WASHER . . . . .			01
97	MS21043-3	. NUT . . . . .			01
		—*—			
98		. VACUUM SYSTEM REFER TO 37-10-00 FIGURE 01 . . . . .			RF



CESSNA®  
**MODEL 208**  
 ILLUSTRATED PARTS CATALOG

A25227



2614T3022A  
 A2614X1133

FLOW CONTROL VALVE INSTALLATION  
 FIGURE 02 (SHEET 1)

**CESSNA®**  
**MODEL 208**  
**ILLUSTRATED PARTS CATALOG**

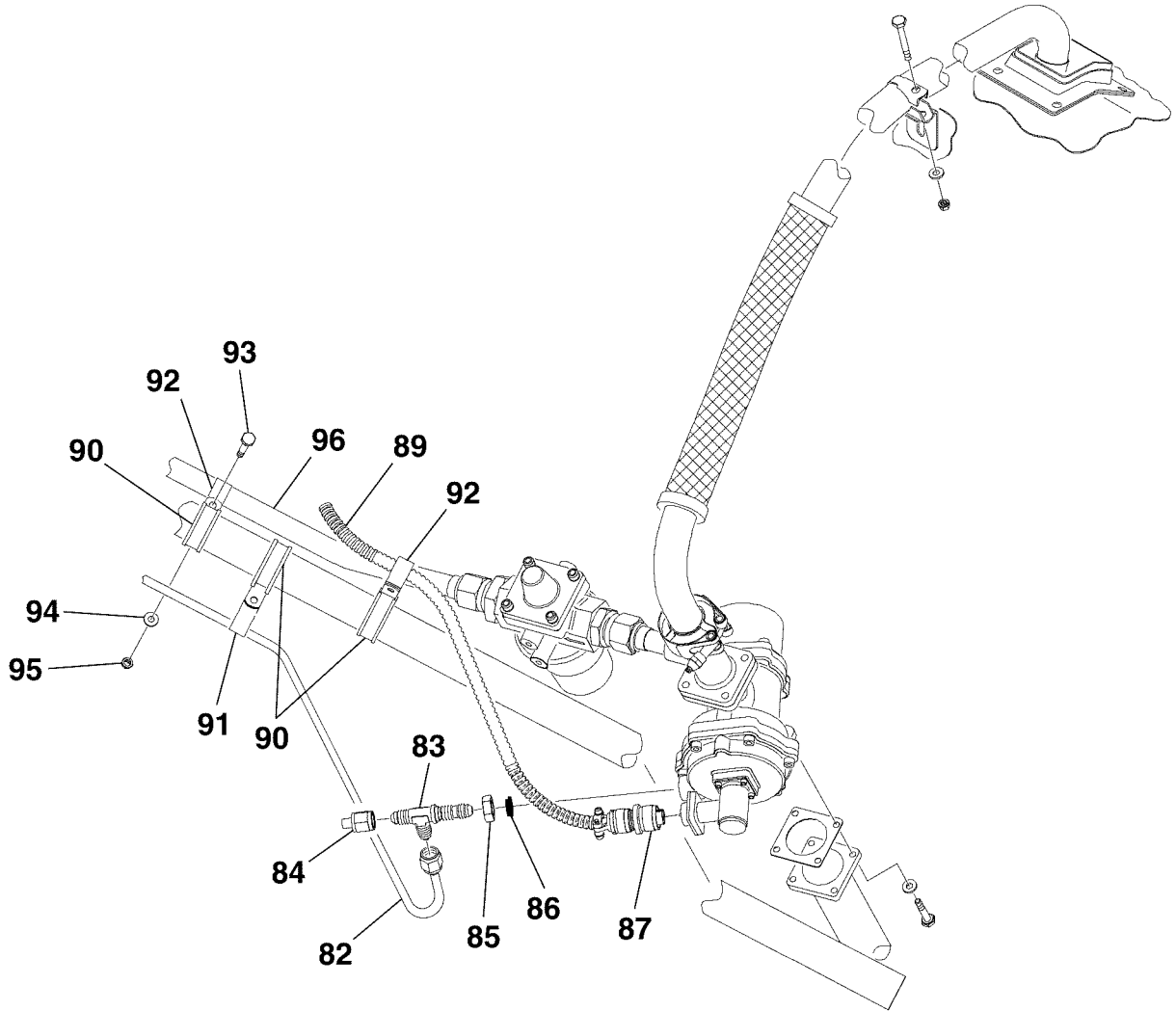
FIG ITEM	PART NUMBER	NOMENCLATURE	UNITS PER ASSY		
			1	2	3
02		FLOW CONTROL VALVE INSTALLATION REFER TO NOTE 1			
-			0180	& ON	RF
			B0210	& ON	
1	1H101-3	. FLOW CONTROL VALVE FSO 1H101-4 . . . . . V26433	0180	0241	01 R
			B0210	B0440	
1A	1H101-4	. VALVE-FLOW CONTROL REFER TO NOTE 2 . . . . . V26433	0242	& ON	01
			B0441	& ON	
2	25007-1	. . VALVE-SOLENOID . . . . . V26433			01
		ATTACHING PARTS			
3	103A10014-24	. . SCREW-SOC HD CAP . . . . . V26433			04
		—*—			
4	102A10003-05	. . O RING . . . . . V26433			01
5	A1-694-1	. . VALVE-UPPER . . . . . V26433			01
6	E6-137-1	. . VALVE-POPPET . . . . . V26433			01
7	102A10013-02	. . SEAL BAL-SEAL . . . . . V26433	0180	0241	01
			B0210	B0440	
7A	102A10013-03	. . O-RING-POPPET . . . . . V26433	0242	& ON	01
			B0441	& ON	
		ATTACHING PARTS			
8	C7-79-1	. . SCREW-POPPET . . . . . V26433			01
		—*—			
9	B2-234-1	. . RETAINER-SPRING . . . . . V26433			01
10	27419000	. . SPRING . . . . . V26433			01
11	102A10003-19	. . O-RING . . . . . V26433			01
12	A1-695-1	. . HOUSING ASSY-LOWER . . . . . V26433			01
		ATTACHING PARTS			
13	NAS1351C3-10	. . SCREW-SOC HD CAP . . . . .	0180	0241	04
			B0210	B0440	
13A	NAS1351C3H10	. . SCREW-SOC HD CAP . . . . .	0242	& ON	04
			B0441	& ON	
13B	NAS6210C10L	. . WASHER-FLAT . . . . .	0242	& ON	04
			B0441	& ON	
		—*—			
14	2654013-4	. GASKET . . . . .			01
		ATTACHING PARTS			
15	AN3-5A	. BOLT . . . . .			04
16	NAS1149F0363P	. WASHER . . . . .			04
		—*—			
17	D4-395-1	. INLET FITTING . . . . . V26433			01
		ATTACHING PARTS			
18	AN3-5A	. BOLT . . . . .			04
- 19	NAS1149F0363P	. WASHER . . . . .			04
		—*—			
- 20	MS9068-022	. O-RING . . . . .			01

NOTE 1—AIRPLANES -0180 AND ON AND -B0210 AND ON AND AIRPLANES -0001 THRU -0179 AND -B0001 THRU -B0209 INCORPORATING SK208-70

NOTE 2—REFER TO THE MAINTENANCE MANUAL FOR THE SUPPLIER PUBLICATION LIST.

CESSNA®  
**MODEL 208**  
ILLUSTRATED PARTS CATALOG

A25231



2614T3022A

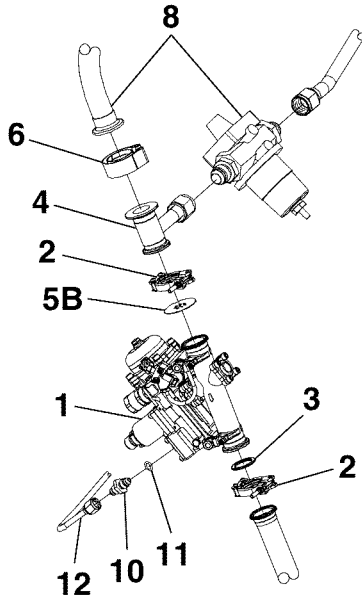
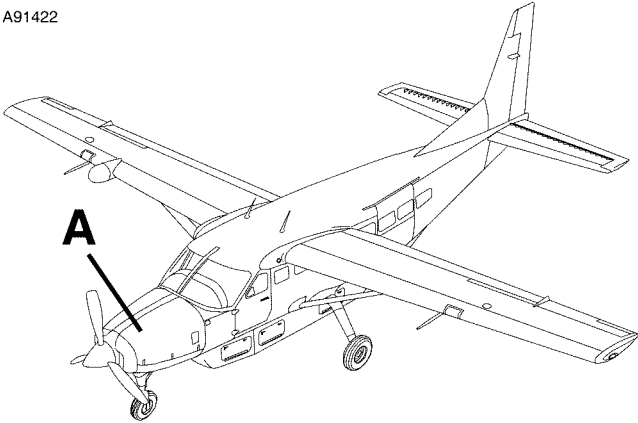
FLOW CONTROL VALVE INSTALLATION  
FIGURE 02 (SHEET 2)

CESSNA®  
**MODEL 208**  
 ILLUSTRATED PARTS CATALOG

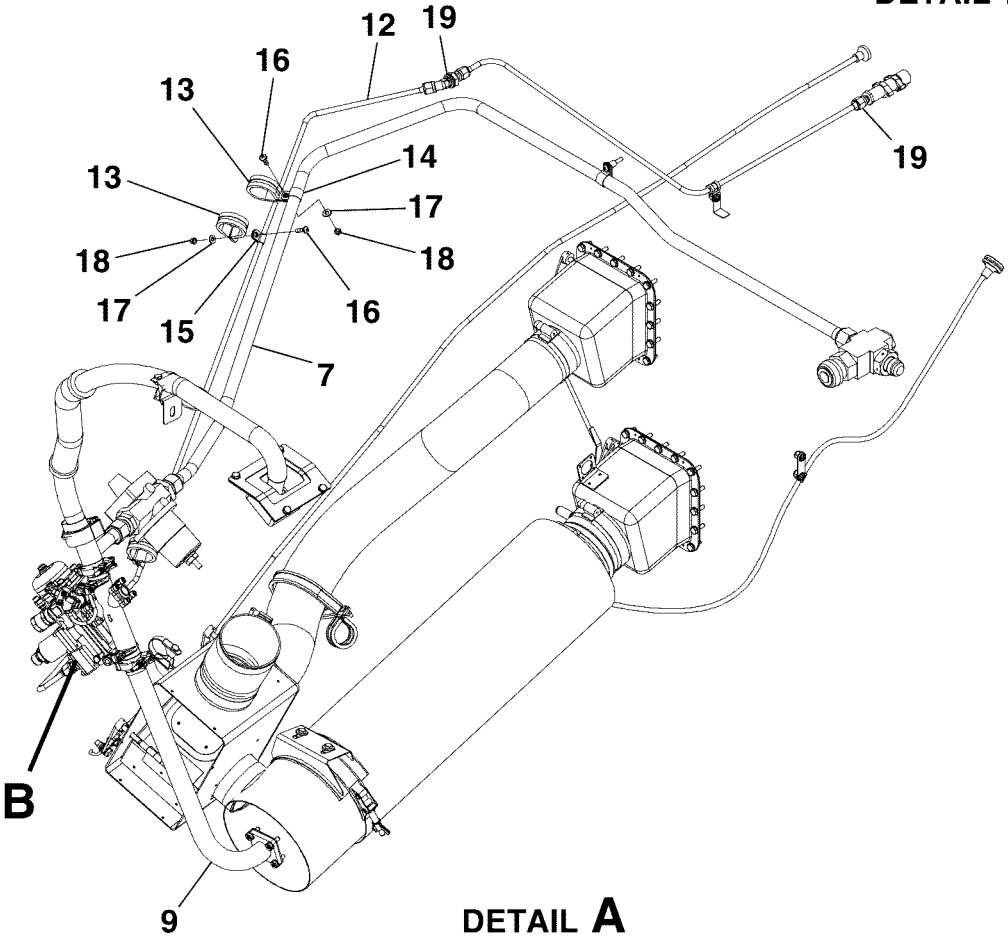
FIG ITEM	PART NUMBER	NOMENCLATURE	UNITS
			PER ASSY
		1 2 3 4 5 6 7	
02		. DELETED-NOT USED . . . . .	
- 75		. DELETED-NOT USED . . . . .	
- 76		. DELETED-NOT USED . . . . .	
- 77		. DELETED-NOT USED . . . . .	
- 78		. DELETED-NOT USED . . . . .	
- 79		. DELETED-NOT USED . . . . .	
- 80		. DELETED-NOT USED . . . . .	
- 81		. DELETED-NOT USED . . . . .	
82	2600100-60	. LINE ASSY-FCV EXTENSION . . . . .	01
83	AS1033D040404	. TEE . . . . .	01
84	AN929-4W	. CAP ASSY . . . . .	01
85	AS5178-04	. NUT . . . . .	01
86	M83248/1-904	. O-RING . . . . .	01
87	1.5KE51CA	. TRANSORB . . . . . V24444	01
- 88	S1370-0	. SPLICE . . . . .	01
89	S2562-1	. TUBING BKI . . . . .	AR
90	MS21919DG20	. CLAMP . . . . .	AR
91	MS9025-03	. CLAMP . . . . .	AR
92	MS9025-09	. CLAMP . . . . .	AR
		ATTACHING PARTS	
93	MS35207-264	. SCREW . . . . .	01
94	NAS1149F0332P	. WASHER . . . . .	01
95	MS21043-3	. NUT . . . . .	01
		—*—	
96		. VACUUM SYSTEM REFER TO 37-10-00 FIGURE 01 . . . . .	RF

CESSNA®  
**MODEL 208**  
 ILLUSTRATED PARTS CATALOG

A91422



**DETAIL B**



**DETAIL A**

FLOW CONTROL VALVE INSTALLATION  
 FIGURE 03 (SHEET 1)

2610T7004  
 A2614T1491  
 B2614T1491

**CESSNA®**  
**MODEL 208**  
**ILLUSTRATED PARTS CATALOG**

FIG ITEM	PART NUMBER	NOMENCLATURE	UNITS		
			PER ASSY		
03		FLOW CONTROL VALVE INSTALLATION			
-			B5000	& ON	RF
1	1422-6	. VALVE-FLOW CONTROL VN010 FSO 1422-7 REFER TO NOTE 5 . . . . . V34163	B5000	B5314	01 R
- 1A	1422-7	. VALVE-FLOW CONTROL VN010 REFER TO NOTE 5 . . . . . V34163	B5315	& ON	01
2	30931-100	. COUPLING . . . . . V15284			02
3	13866-100	. SEAL REFER TO NOTE 1 . . . . . V15284			02
- 3A	13866-100	. SEAL REFER TO NOTE 2 . . . . . V15284	B5004	B5004	01
			B5010	B5010	
			B5016	& ON	
4	2650056-1	. TEE-BLEED AIR INLET . . . . .			01
- 5	2650056-11	. FLOW RESTRICTOR REFER TO NOTE 1 . . . . .			NP
- 5A	DDA06564-1	. FLOW RESTRICTOR REF 2650056 REFER TO NOTE 4 . . . . .	B5004	B5004	01
			B5010	B5010	
			B5016	B5069	
			B5070	& ON	01
5B	2650056-12	. FLOW RESTRICTOR REFER TO NOTE 3 . . . . .			01
6	24540-100	. COUPLING . . . . . V00624			01
- 6A	57979-3	. NUT . . . . . V98625			01
7		. DUCT ASSY-REFER TO 36-10-00 FIGURE 02 . . . . .			RF
8		. PRESSURE REGULATOR-REFER TO 36-10-00 FIGURE 02 . . . . .			RF
9		. CONNECTOR TUBE ASSY-REFER TO 21-41-00 FIGURE 01 . . . . .			RF
10	AS5174D0404	. UNION . . . . . V81343			01
11	M83248/1-904	. O-RING . . . . .			01
12	2650056-7	. TUBE ASSY-TEMPERATURE CONTROL . . . . .	B5000	B5314	01
- 12A	2650056-13	. TUBE ASSY-TEMPERATURE CONTROL . . . . .	B5315	& ON	01
13	MS21919DG20	. CLAMP . . . . .			04
14	MS9025-09	. CLAMP . . . . .			02
15	MS9025-03	. CLAMP . . . . .			02
		ATTACHING PARTS			
16	MS35207-264	. SCREW . . . . .			04
17	NAS1149F0332P	. WASHER . . . . .			04
18	MS21043-3	. NUT . . . . .			04
- 18A	NAS1291C3	. NUT-ALT FOR MS21043-3 . . . . .			04
		—*—			
19		. BLEED AIR HEATER COMPONENTS-REFER TO 21-41-00 FIGURE 01 . . . . .			RF

NOTE 1—AIRPLANES -B5000 THRU -B5003, -B5005 THRU -B5009, AND -B5011 THRU -B5015 NOT INCORPORATING CAB-21-01.

NOTE 2—AIRPLANES -B5004, -B5010, AND -B5016 AND ON AND AIRPLANES -B5000 THRU -B5003, -B5005 THRU -B5009, AND -B5011 THRU -B5015 INCORPORATING CAB-21-01.

NOTE 3—AIRPLANES -B5070 AND ON AND AIRPLANES -B5000 THRU -B5003, -B5005 THRU -5009, AND -B5011 THRU -B5015 INCORPORATING CAB-21-01.

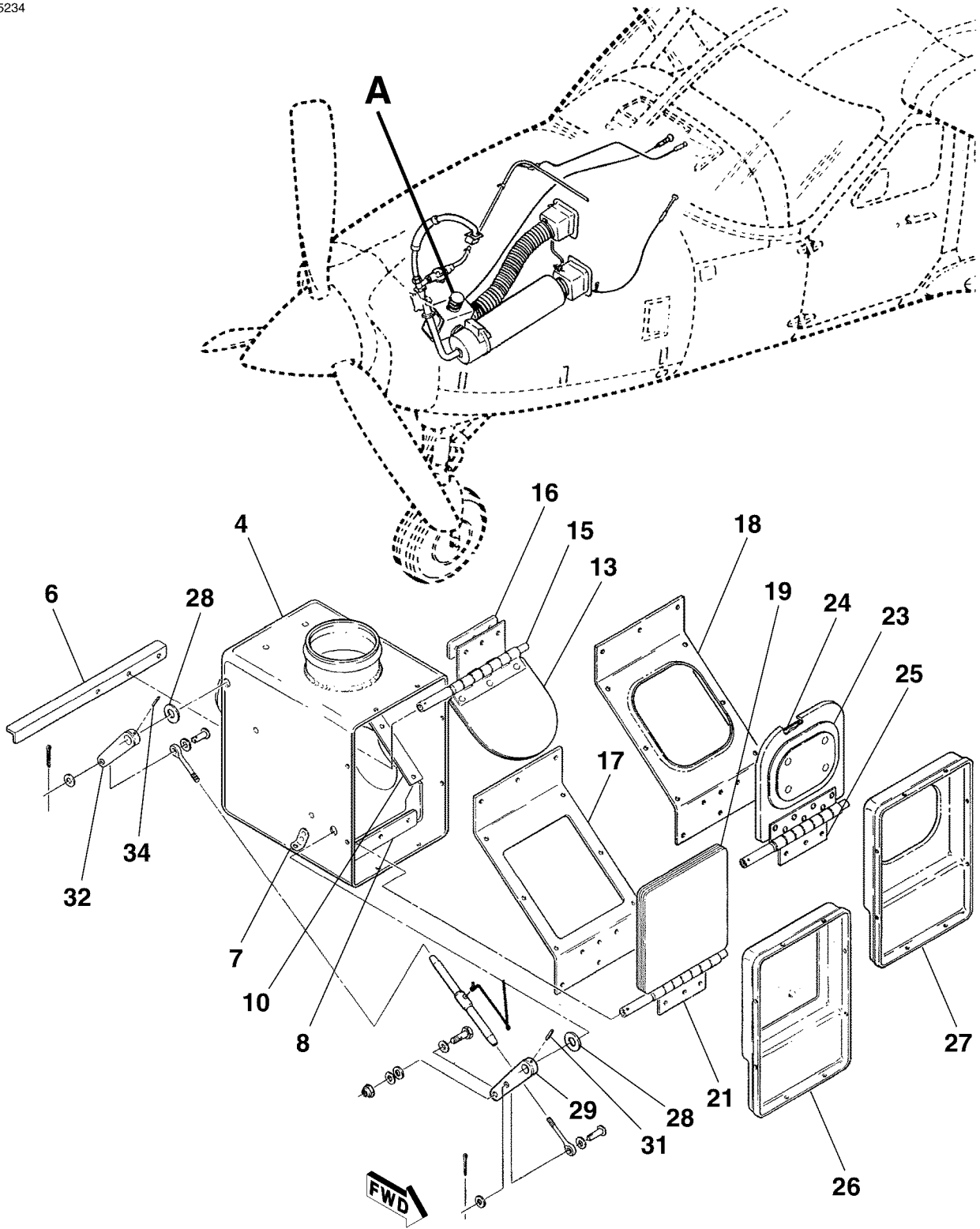
NOTE 4—WHEN ORDERING DDA PART NUMBERS, ALSO PROVIDE REFERENCE DRAWING NUMBER SHOWN IN NOMENCLATURE COLUMN.

NOTE 5—AIRPLANES -B5315 & ON AND AIRPLANES -B5000 THRU -B5314 INCORPORATING CAB-21-05

R

CESSNA®  
**MODEL 208**  
ILLUSTRATED PARTS CATALOG

A25234



**DETAIL A**

DIVERTER VALVE ASSEMBLIES - BLEED AIR  
FIGURE 01 (SHEET 1)

2614X2019  
A26143013

**CESSNA®**  
**MODEL 208**  
**ILLUSTRATED PARTS CATALOG**

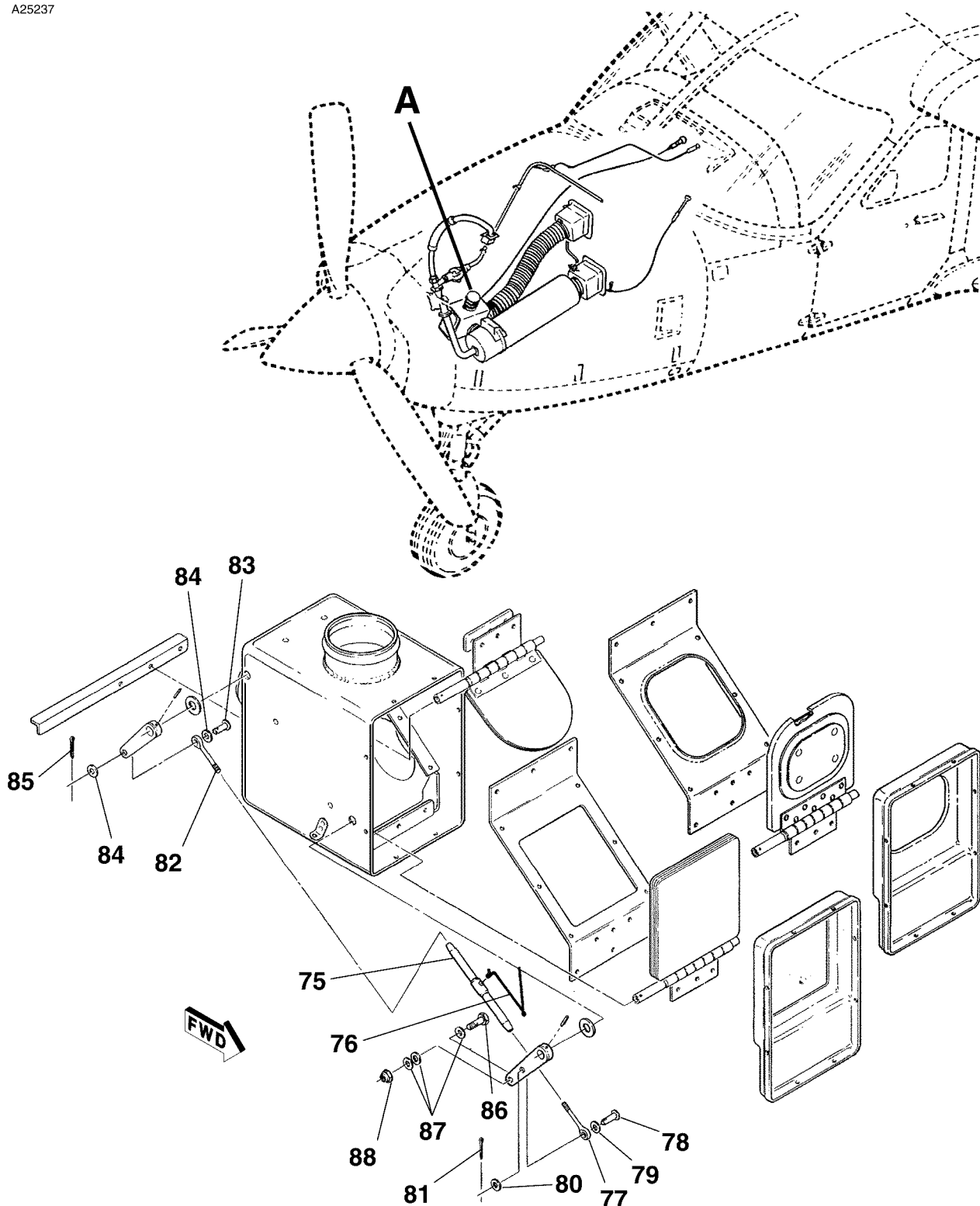
FIG ITEM	PART NUMBER	NOMENCLATURE	UNITS PER ASSY		
			1	2	3
01		DIVERTER VALVE ASSEMBLIES - BLEED AIR			RF
- 1	2613335-1	. VALVE ASSY-DIVERTER . . . . .	0001	0129	01
- 2	2613335-37	. VALVE ASSY-DIVERTER FSO 2613335-56 . . . . .	B0001	B0067	NP
- 3	2613335-56	. VALVE ASSY-DIVERTER . . . . .	0130	0217	01
4	2613335-2	. . . BODY ASSY . . . . .	B0068	B0305	01
- 5	2613335-38	. . . BODY ASSY . . . . .	0218	& ON	01
6	2613335-28	. . . BRACKET-CONTROL . . . . .	B0306	& ON	01
7	AN743-13	. . . BRACKET-CABLE SUPPORT . . . . .	0001	0129	01
8	2613335-11	. . . SUPPORT-DIVERTER WALL . . . . .	B0001	B0067	01
- 9	2613335-49	. . . SUPPORT-DIVERTER WALL . . . . .	0130	& ON	02
10	2613335-12	. . . SUPPORT-DIVERTER WALL . . . . .	B0068	& ON	02
- 11	2613335-55	. . . SUPPORT-DIVERTER WALL LH . . . . .	0001	0129	02
- 12	2613335-12	. . . SUPPORT-DIVERTER WALL RH . . . . .	B0001	B0067	01
13	2613335-5	. . . DOOR ASSY RECIRCULATE . . . . .	0128	& ON	01
- 14	2613335-8	. . . SEAL . . . . .	B0068	& ON	01
15	2613335-35	. . . HINGE ASSY . . . . .	0128	& ON	01
16	2613335-17	. . . SPACER- HINGE . . . . .	0128	& ON	01
17	2613335-10	. . . DIVERTER WALL . . . . .	B0068	& ON	01
18	2613335-39	. . . DIVERTER WALL . . . . .	0001	0129	01
19	2613335-13	. . . DOOR ASSY-DIVERTER . . . . .	B0001	B0067	01
- 20	2613335-16	. . . SEAL . . . . .	0130	& ON	02
21	2613335-36	. . . HINGE ASSY INCLUDES SHAFT . . . . .	B0068	& ON	01
- 22	2613335-50	. . . DOOR ASSY-DIVERTER . . . . .	0130	& ON	01
23	2613335-47	. . . SEAL- FWD . . . . .	B0068	& ON	01
24	2613335-43	. . . SEAL-AFT . . . . .	0130	& ON	01
25	2613335-41	. . . HINGE ASSY INCLUDES SHAFT . . . . .	B0068	& ON	01
26	2613335-21	. . . END CAP DIVERTER BODY . . . . .	0130	& ON	01
27	2613335-48	. . . END CAP DIVERTER BODY . . . . .	B0068	& ON	01
28	2650080-22	. . . SEAL . . . . .	0001	0129	01
29	2613335-30	. . . ARM ASSY RECIRCULATE CONTROL FSO 2613453-1 . . . . .	B0001	B0067	01
- 30	2613453-1	. . . ARM ASSY RECIRCULATE CONTROL . . . . .	0130	& ON	01
31	MS16562-205	. . . ATTACHING PARTS ROLL PIN . . . . .	B0068	& ON	01
32	2613335-24	. . . ARM ASSY DIVERTER CONTROL FSO 2613452-1 . . . . .	0001	0217	NP R
- 33	2613452-1	. . . ARM ASSY DIVERTER CONTROL . . . . .	B0001	B0305	01
34	MS16562-205	. . . ATTACHING PARTS ROLL PIN . . . . .	0218	& ON	01

- ITEM NOT ILLUSTRATED



CESSNA®  
MODEL 208  
ILLUSTRATED PARTS CATALOG

A25237



**DETAIL A**

DIVERTER VALVE ASSEMBLIES - BLEED AIR  
FIGURE 01 (SHEET 2)

2614X2019  
A26143013

CESSNA®  
**MODEL 208**  
 ILLUSTRATED PARTS CATALOG

FIG ITEM	PART NUMBER	1 2 3 4 5 6 7	NOMENCLATURE	UNITS
				PER ASSY
01				
75	MS21251-A3L		.. BODY-TURNBUCKLE .....	01
76	MS21256-2		.. CLIP-TURNBUCKLE LOCK .....	01
77	2613335-27		.. CONNECTOR TURNBUCKLE .....	01
			ATTACHING PARTS	
78	MS20392-3C13		.. PIN .....	01
79	NAS1149F0463P		.. WASHER .....	02
80	NAS1149F0432P		.. WASHER .....	02
81	MS24665-132		.. COTTER PIN .....	01
			—*—	
82	2613335-26		.. CONNECTOR- TURNBUCKLE .....	01
			ATTACHING PARTS	
83	MS20392-3C13		.. PIN .....	01
84	NAS1149F0463P		.. WASHER .....	02
85	MS24665-132		.. COTTER PIN .....	01
			—*—	
86	S2323-13		.. CLAMP- CONTROL CABLE .....	01
87	NAS1149F0463P		.. WASHER .....	03
88	MS21042L4		.. NUT .....	01



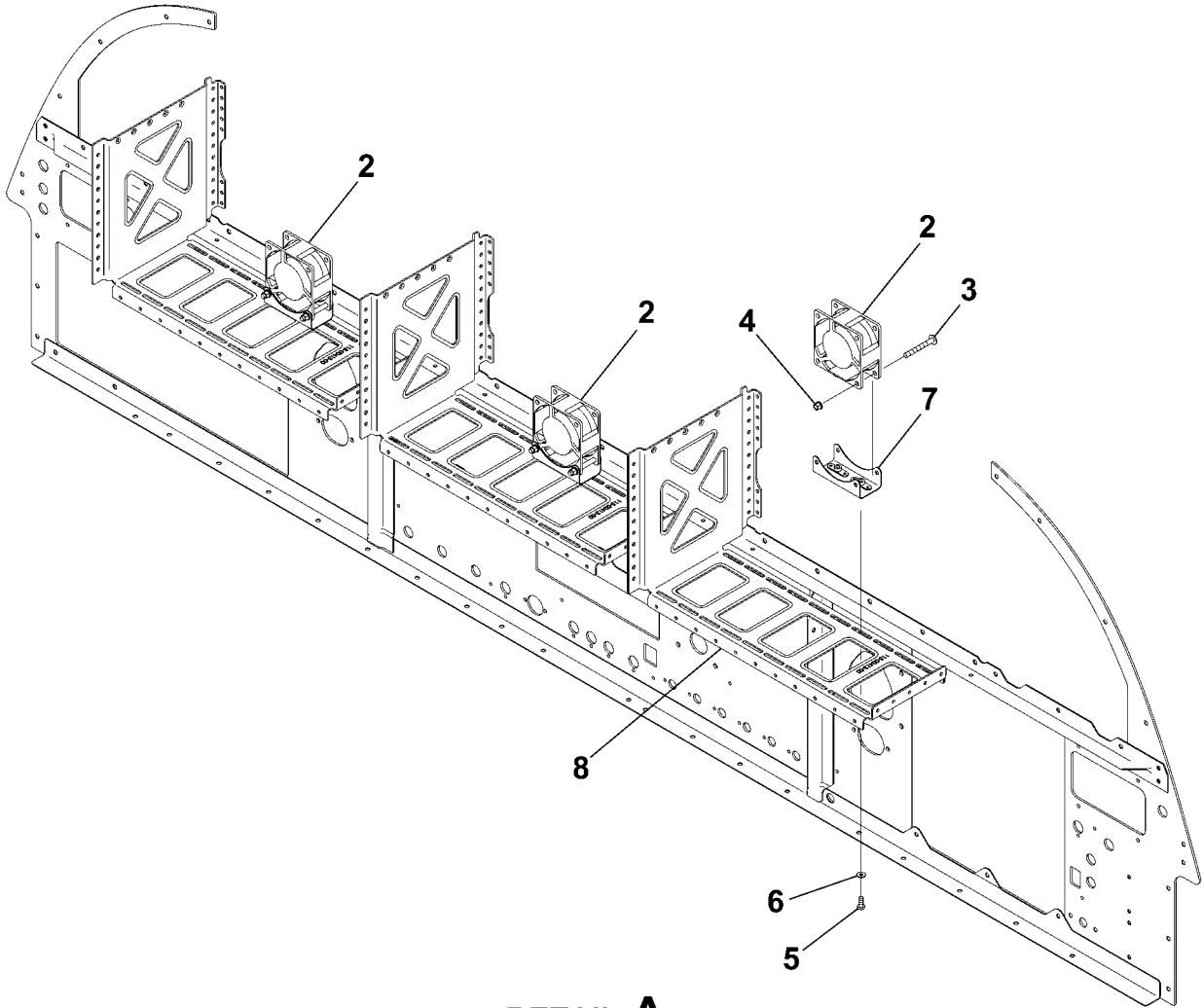
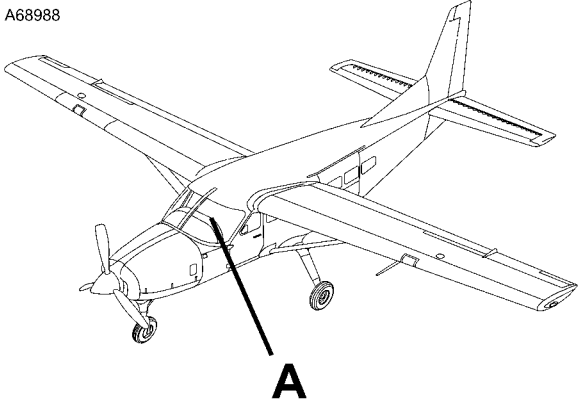
**CESSNA®**  
**MODEL 208**  
**ILLUSTRATED PARTS CATALOG**

FIG ITEM	PART NUMBER	NOMENCLATURE	UNITS PER ASSY	
			1 2 3 4 5 6 7	
02		FIREWALL SHUTOFF VALVE ASSEMBLIES		RF
- 1	2650080-2	. FIREWALL SHUT OFF VALVE ASSY-CABIN RETURN FSO 2650080-33 . . . . .	0001	0220 NP
			B0001	B0314
- 2	2650080-33	. FIREWALL SHUT OFF VALVE ASSY-CABIN RETURN . . . . .	0221	& ON 01
			B0315	& ON
3	2650080-19	. . SHROUD ASSY FIREWALL SHUT OFF VALVE . . . . .		01
- 4	2650080-3	. . BASE ASSY FIREWALL SHUT OFF VALVE . . . . .		01
5	2650080-5	. . . DOOR ASSY . . . . .		01
		ATTACHING PARTS		
6	2650080-20	. . . SPACER- PLATE . . . . .		01
		—*—		
- 7	2650080-27	. . . . HINGE ASSY . . . . .		01
8	2650080-4	. . . BASE . . . . .		01
9	2650080-21	. . SPRING-DOOR RETURN . . . . .		01
10	2650080-22	. . SEAL . . . . .		01
11	S2280-2-30	. . ARM ASSY FSO 2650107-1 . . . . .	0001	0220 NP
			B0001	B0314
- 12	2650107-1	. . ARM ASSY . . . . .	0221	& ON 01
			B0315	& ON
		ATTACHING PARTS		
13	MS16562-205	. . PIN . . . . .		01
		—*—		
- 14	2650080-1	. FIREWALL SHUT OFF VALVE ASSY-CABIN HEAT FSO 2650080-32 . . . . .	0001	0220 NP
			B0001	B0314
- 15	2650080-32	. FIREWALL SHUT OFF VALVE ASSY-CABIN HEAT . . . . .	0221	& ON 01
			B0315	& ON
16	2650080-11	. . SHROUD ASSY-FIREWALL SHUT OFF VALVE . . . . .		01
17	2650080-18	. . . BRACKET- SWITCH . . . . .		01
18	2650080-28	. . . BRACKET- RECEPTACLE . . . . .		01
- 19	2650080-3	. . BASE ASSY- FIREWALL SHUT OFF VALVE . . . . .		01
20	2650080-5	. . . DOOR ASSY . . . . .		01
		ATTACHING PARTS		
21	2650080-20	. . . SPACER- PLATE . . . . .		01
		—*—		
- 22	2650080-27	. . . . HINGE ASSY . . . . .		01
23	2650080-4	. . . BASE . . . . .		01
24	2650080-21	. . SPRING- DOOR RETURN . . . . .		01
25	2650080-22	. . SEAL . . . . .		01
26	S2280-2-30	. . ARM ASS FSO 2650107-1 . . . . .	0001	0220 NP
			B0001	B0314
- 27	2650107-1	. . ARM ASSY . . . . .	0221	& ON 01
			B0315	& ON
28	2650080-24	. . ACTUATOR- SWITCH FSO 2650106-1 . . . . .	0001	0220 NP
			B0001	B0314
- 29	2650106-1	. . ACTUATOR- SWITCH . . . . .	0221	& ON 01
			B0315	& ON
		ATTACHING PARTS		
30	MS16562-205	. . PIN . . . . .		01
		—*—		

- ITEM NOT ILLUSTRATED

CESSNA®  
**MODEL 208**  
ILLUSTRATED PARTS CATALOG

A68988



**DETAIL A**

2610T7002  
A2614T1407

GARMIN DISPLAY COOLING FAN  
FIGURE 01 (SHEET 1)

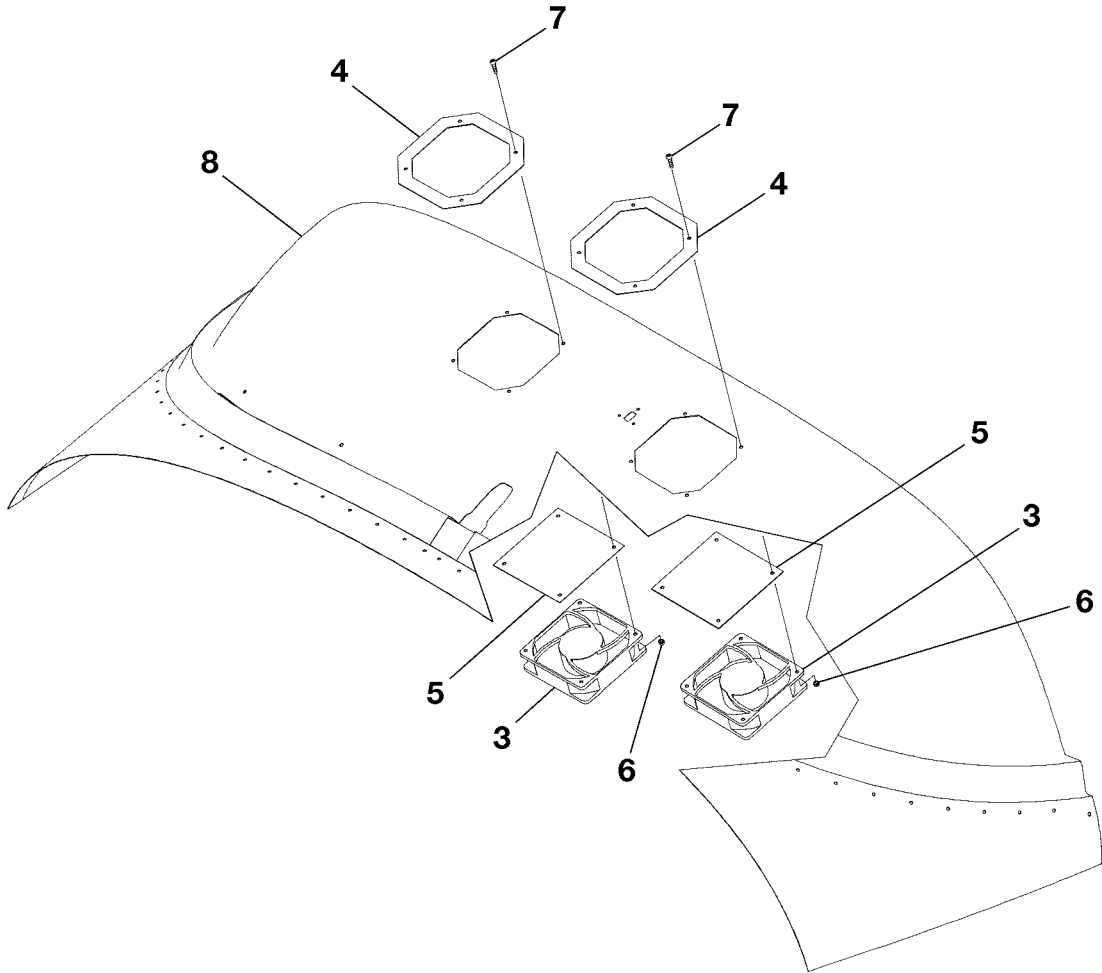
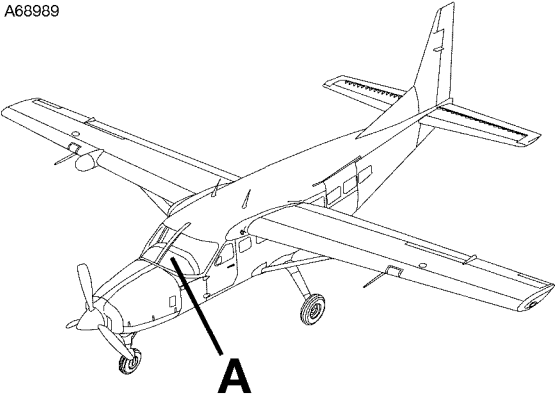
**CESSNA®**  
**MODEL 208**  
**ILLUSTRATED PARTS CATALOG**

FIG ITEM	PART NUMBER	NOMENCLATURE	UNITS PER ASSY		
			1	2	3
01					
-		GARMIN DISPLAY COOLING FAN			RF
- 1	3925310-2	. W/A - DISPLAY FAN ADAPTOR FSO 3925310-4 FN1 . . . . .	0500	0504	NP
			B2000	B2059	
- 1A	3925310-3	. W/A - DISPLAY FAN ADAPTOR FSO 3925310-4 FN2 . . . . .	0505	0505	NP
			B2060	B2090	
- 1B	3925310-4	. W/A - DISPLAY FAN ADAPTOR FN3 . . . . .	0506	0652	03 R
			B2091	5510	
- 1C	3925310-9	. W/A - DISPLAY FAN ADAPTOR FN4 . . . . .	0653	& ON	03 R
			5511	& ON	
2	FS24B3QDN	. . COOLING FAN WITH ALARM-FN1 . . . . . V5Y921	0416	0416	03 R
			B1190	B1190	
			B1216	B1216	
			0500	0504	
			B2000	B2059	
- 2A	S2800-1006	. . COOLING FAN WITH ALARM-FN2 . . . . .	0505	0505	03
			B2060	B2090	
- 2B	109R0624G4H01	. . COOLING FAN WITH ALARM-FN3 . . . . . V3CYG3	0506	0652	03 R
			B2091	B5510	
- 2C	S2800-1562	. . COOLING FAN WITH ALARM ALT FOR 2410ML-05W-B69-B00 FN4 . . . . .	0653	& ON	01 R
			5511	& ON	
- 2D	2410ML-05W-B69-B00	. . COOLING FAN WITH ALARM ALT FOR S2800-1562 FN4 . . . . . V0D1M6	0653	& ON	01 R
			5511	& ON	
		ATTACHING PARTS			
3	AN525-832R22	. SCREW . . . . .			06
4	MS21042L08	. NUT . . . . .			06
5	MS35206-228	. SCREW . . . . .			06
6	NAS1149FN432P	. WASHER . . . . .			06
		—*—			
7	2614079-1	. BRACKET ASSY . . . . .			03
8		. INSTRUMENT PANEL STRUCTURE REFER TO 53-22-01 FIGURE 06 . . . . .			RF

- ITEM NOT ILLUSTRATED

CESSNA®  
**MODEL 208**  
ILLUSTRATED PARTS CATALOG

A68989



**DETAIL A**

COWL DECK COOLING FANS  
FIGURE 02 (SHEET 1)

2610T7005  
A2652T1025

CESSNA®  
**MODEL 208**  
 ILLUSTRATED PARTS CATALOG

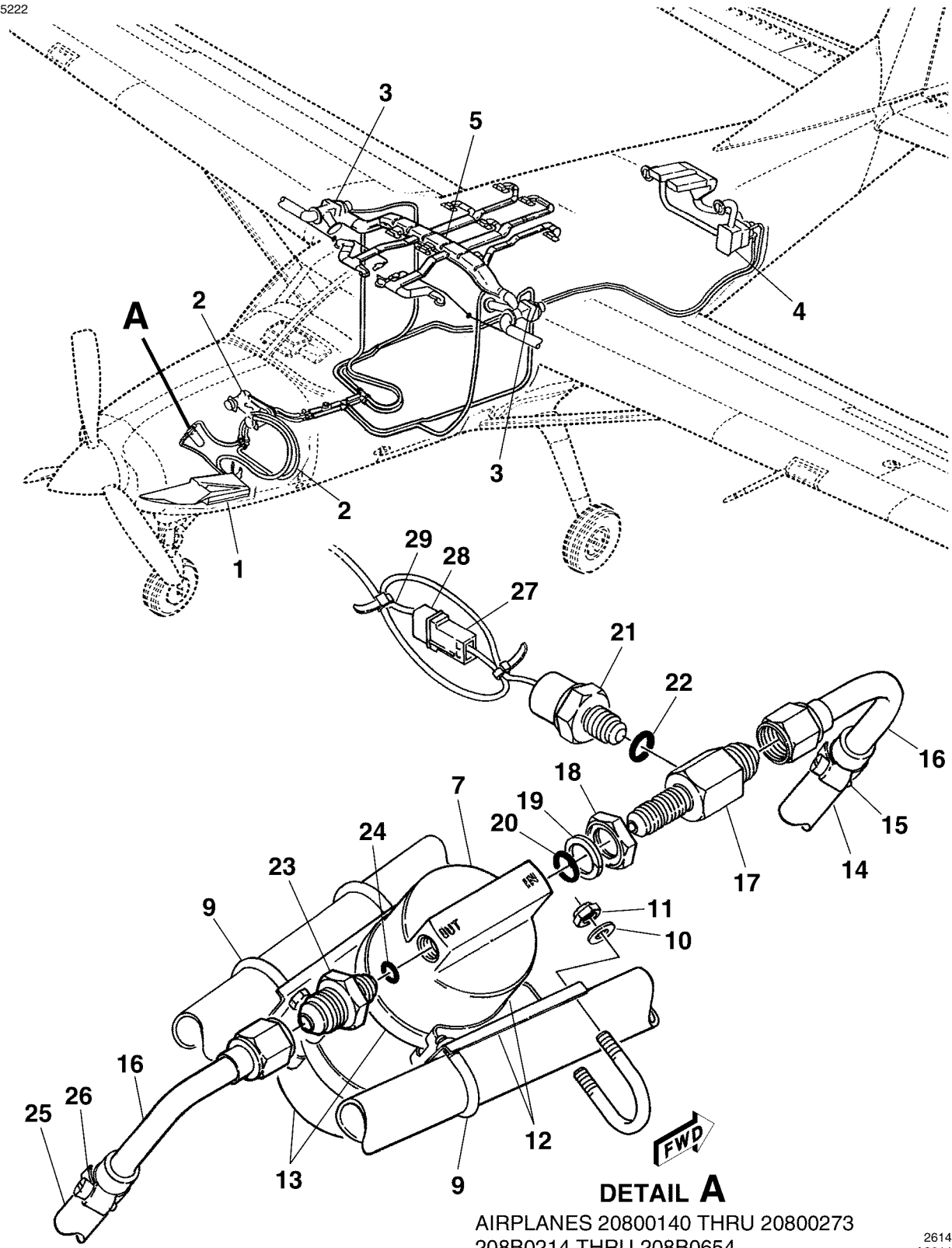
FIG ITEM	PART NUMBER	NOMENCLATURE	UNITS PER ASSY		
			1	2	3
02					
-		COWL DECK COOLING FANS		0500 & ON B2000 & ON	RF
- 1	2677011-2	. SMASSY DECK FAN-WBA LH ZC022 . . . . .			01
- 2	2677011-2	. SMASSY DECK FAN-WBA RH ZC023 . . . . .			01
3	MC24B3	. . FAN ALT FOR OD1232-24MB MZ001 . . . . .		V82877	01 R
- 3A	OD1232-24MB	. . DC FAN ALT FOR MC24B3 MZ001 . . . . .		V82877	01 R
4	0713535-2	. RETAINER . . . . .			02
5	0713847-13	. GRILL . . . . .			02
		ATTACHING PARTS			
6	MS21042-08	. NUT . . . . .			04
7	MS35206-247	. SCREW . . . . .			04
		—*—			
8		. COWL DECK ASSY REFER TO 53-30-00 FIGURE 03 . . . . .			RF

- ITEM NOT ILLUSTRATED



CESSNA®  
**MODEL 208**  
 ILLUSTRATED PARTS CATALOG

A25222



**DETAIL A**

AIRPLANES 20800140 THRU 20800273  
 208B0214 THRU 208B0654

26142036  
 A26141078

AIR CONDITIONING SYSTEM  
 FIGURE 01 (SHEET 1)

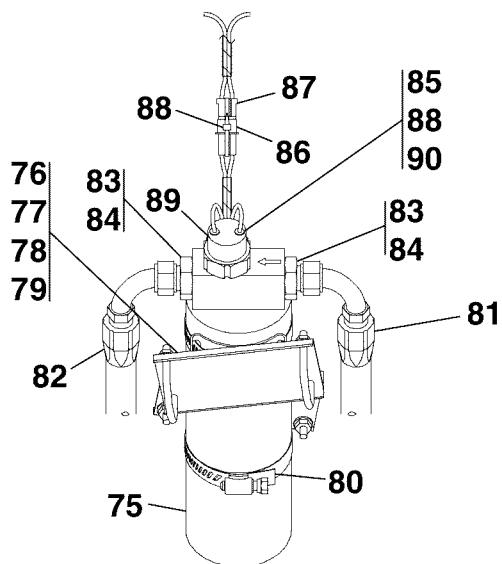
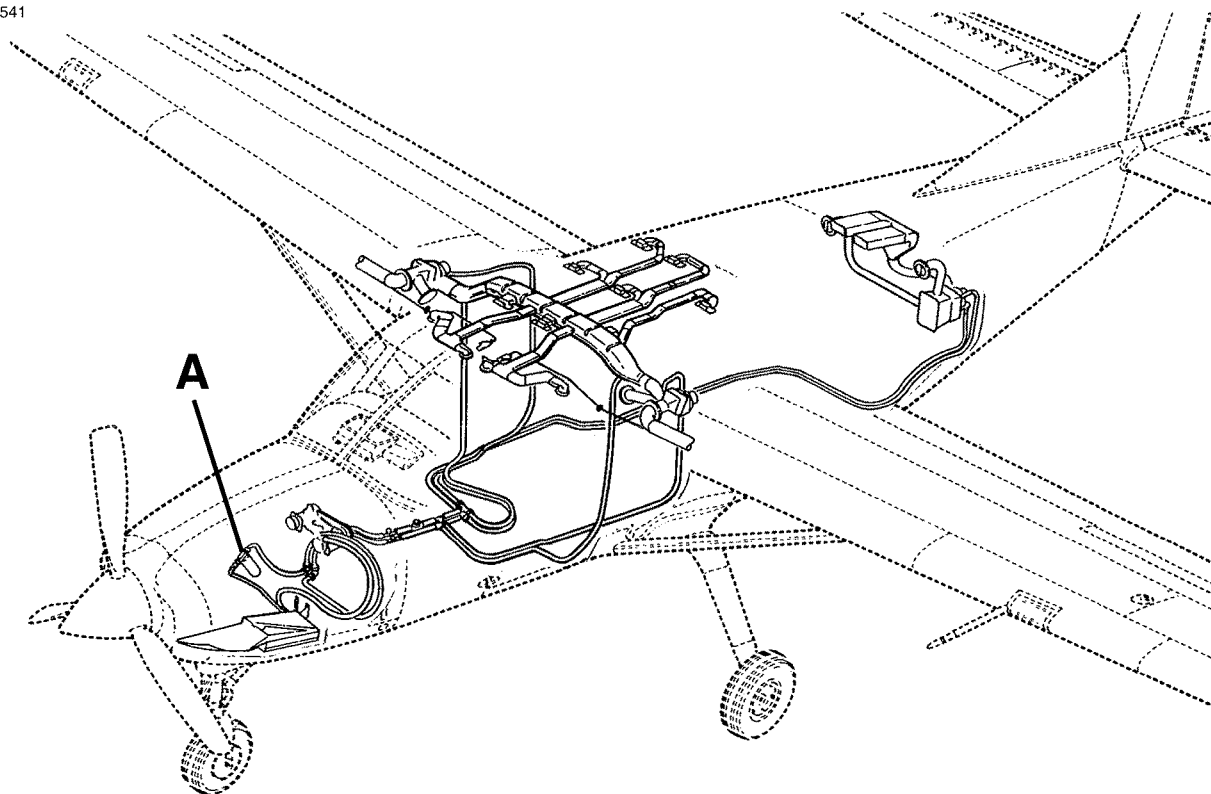
**CESSNA®**  
**MODEL 208**  
**ILLUSTRATED PARTS CATALOG**

FIG ITEM	PART NUMBER	NOMENCLATURE	UNITS PER ASSY		
			1	2	3
01		AIR CONDITIONING SYSTEM			
-			0140	& ON	RF
			B0214	& ON	
1		. CONDENSER INSTALLATION-AIR CONDITIONER REFER TO 21-51-02 FIGURE 01			RF
2		. COMPRESSOR & DRIVE UNIT AIR CONDITIONER REFER TO 21-51-01 FIGURE 01			RF
3		. EVAPORATOR INST-WING MOUNTED REFER TO 21-51-03 FIGURE 01			RF
4		. EVAPORATOR INST-AFT MOUNTED REFER TO 21-51-03 FIGURE 02			RF
5		. OVERHEAD VENTILATION SYSTEM 208 REFER TO 21-21-03 FIGURE 01			RF
- 6		. OVERHEAD VENTILATION SYSTEM 208B PASSENGER VERSION REFER TO 21-21-03 FIGURE 02			RF
7	A8706	. RECEIVER DRYER FSO 2601335-2	V97484	0140	0152
- 8	2601335-2	. RECEIVER DRYER ASSY		0153	0273
			B0214	B0654	01 R
9	2601260-5	. CLAMP BOLT-DRYER ATTACH			04
10	NAS1149D0363K	. WASHER-DRYER ATTACH			08
11	MS20364-1032	. NUT-DRYER ATTACH			08
12	2601260-2	. SUPPORT BRACKET ASSY-DRYER ATTACH			01
13	S1891-48S	. CLAMP-DRYER ATTACH			02
14	R221213	. HOSE-DISCHARGE 27.00 IN LG BKI	V81300	0140	0273
				B0214	B0654
15	221-101	. CLAMP-HOSE ASSY ATTACH	VFRIG	0140	0273
				B0214	B0654
16	235-659	. FITTING-90 DEGREE	VFRIG	0140	0273
				B0214	B0654
17	2601259-2	. PRESSURE SWITCH-MANIFOLD		0140	0273
				B0214	B0654
18	AN6289D6	. NUT		0140	0273
				B0214	B0654
19	MS28773-06	. RETAINER		0140	0273
				B0214	B0654
20	M83248/1-906	. O- RING		0140	0273
				B0214	B0654
21	LH602-084	. PRESSURE SWITCH-AIR CONDITIONING FSO 1250232-7 REFER TO NOTE 1	VFRIG	0140	0247
				B0214	B0524
- 21A	1250232-7	. PRESSURE SWITCH-AIR CONDITIONING	V0B9E8	0248	0273
				B0525	B0654
22	M83248/1-903	. O-RING		0140	0273
				B0214	B0654
- 22A	2601466-1	. ADAPTER-SWITCH		0248	0273
				B0525	B0654
- 22B	S3278A4	. O-RING		0248	0271
				B0525	B0634
- 22C	AS5174D0403	. REDUCER		0272	0273
				B0635	B0654
23	AS5174-0806	. REDUCER		0140	0273
				B0214	B0654
24	M83248/1-903	. O-RING		0140	0273
				B0214	B0654
25	R221213	. HOSE-DISCHARGE BKI 18.50 IN LG	V81300	0140	0273
				B0214	B0654
26	221-101	. CLAMP-HOSE ASSY ATTACH	VFRIG	0140	0273
				B0214	B0654
27	S2035-1	. HOUSING		0140	0273
				B0214	B0654
28	S2035-2	. HOUSING		0140	0273
				B0214	B0654
29	MS3367-4-9	. STRAP		0140	0273
				B0214	B0654

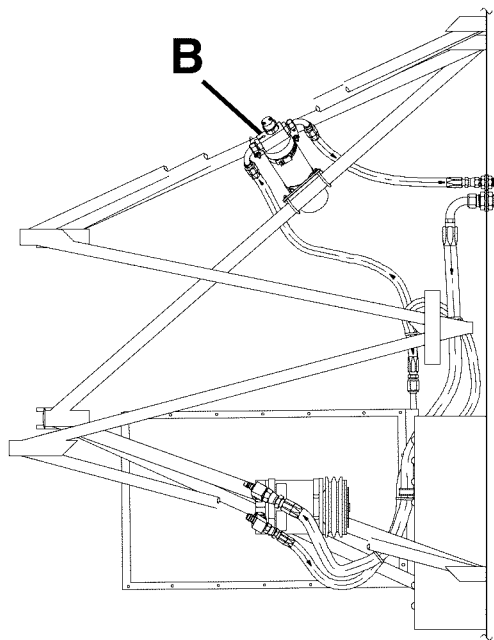
NOTE 1—ON INITIAL REPLACEMENT OF THIS PART WITH 1250232-7 SWITCH ALSO ORDER (1) 2601466-1 ADAPTER AND (1) S3278A4 O-RING

CESSNA®  
**MODEL 208**  
 ILLUSTRATED PARTS CATALOG

A26541



**DETAIL B**



**DETAIL A**

AIRPLANES 20800274 AND ON  
 208B0655 AND ON

2614T2036  
 A2614T1332  
 B2614T1333

AIR CONDITIONING SYSTEM  
 FIGURE 01 (SHEET 2)

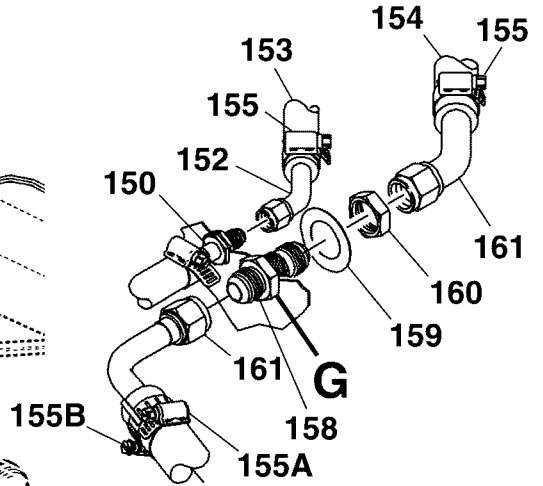
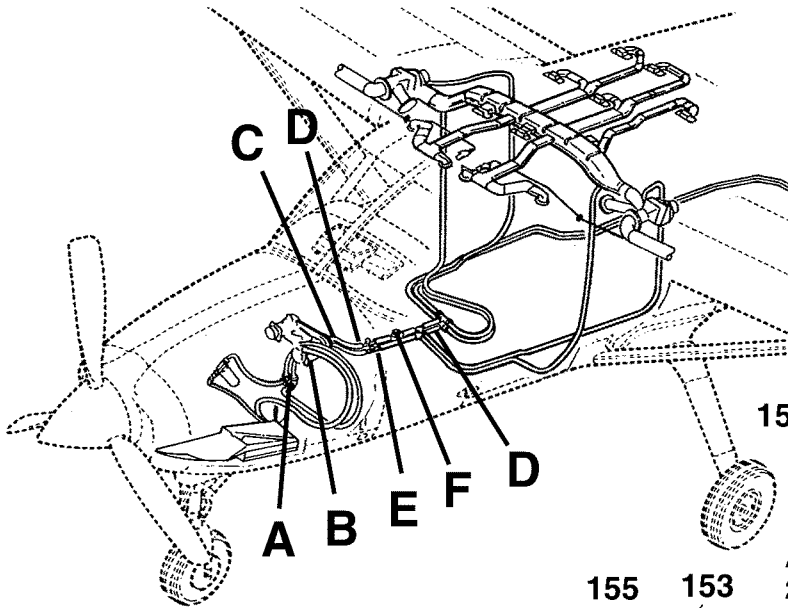
**CESSNA®**  
**MODEL 208**  
**ILLUSTRATED PARTS CATALOG**

FIG ITEM	PART NUMBER	NOMENCLATURE	UNITS PER ASSY		
			1	2	3
01					
75	1936T100-9	. RECEIVER DRYER REFER TO NOTE 1 . . . . . V29289	0274	& ON	01
			B0655	& ON	
		ATTACHING PARTS			
76	2601260-5	. CLAMP BOLT-DRYER . . . . .			04
77	NAS1149D0363K	. WASHER-DRYER . . . . .			08
78	MS21083N3	. NUT-DRYER . . . . .			08
79	2601260-2	. SUPPORT BRACKET ASSY-DRYER . . . . .			01
80	S1891-48S	. CLAMP-DRYER . . . . .			02
		—*—			
81	2601471-3	. HOSE ASSY-INTAKE FSO AE713797-003 . . . . .	0274	0331	NP
			B0655	B0877	
- 81A	AE713797-003	. HOSE ASSY-INTAKE . . . . . V00624	0332	0570	01
			B0878	B5210	
- 81B	AE713797-030	. HOSE ASSY-INTAKE . . . . . V00624	0571	& ON	01
			B5211	& ON	
82	2601471-4	. HOSE ASSY-DISCHARGE FSO AE713797-004 . . . . .	0274	0331	NP
			B0655	B0877	
- 82A	AE713797-004	. HOSE ASSY-DISCHARGE . . . . . V00624	0332	0570	01
			B0878	B5210	
- 82B	AE713797-031	. HOSE ASSY-DISCHARGE . . . . . V00624	0571	& ON	01
			B5211	& ON	
83	AS5174-0806	. REDUCER REFER TO NOTE 1 . . . . .	0274	& ON	02
			B0655	& ON	
84	S3278A6	. O-RING REFER TO NOTE 1 . . . . .	0274	& ON	02
			B0655	& ON	
85	S3278A3	. O-RING REFER TO NOTE 1 . . . . .	0274	& ON	01
			B0655	& ON	
86	S2035-1	. HOUSING REFER TO NOTE 1 . . . . .	0274	0499	01
			B0655	B1999	
87	S2035-2	. HOUSING . . . . .	0274	0499	01
			B0655	B1999	
88	MS3367-4-9	. STRAP . . . . .			02
89	1250232-7	. PRESSURE SWITCH-CONDITIONER PRESSURE REFER TO NOTE 1 . . . . .	0274	0499	01
			B0655	B1999	
- 89A	2601469-2	. PRESSURE SWITCH ASSY-CONDITIONER PRESSURE . . . . .	0500	& ON	01
			B2000	& ON	
90	AS5174D0403	. REDUCER REFER TO NOTE 1 . . . . .	0274	& ON	01
			B0655	& ON	

NOTE 1—AIRPLANES -0274 & ON AND -B0655 & ON AND AIRPLANES -0001 THRU -0273 AND -B0001 THRU -B0654 INCORPORATING SK208-156

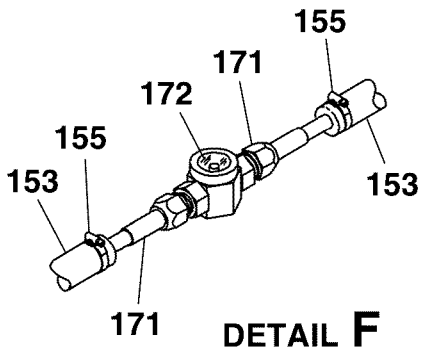
CESSNA®  
**MODEL 208**  
 ILLUSTRATED PARTS CATALOG

A25225

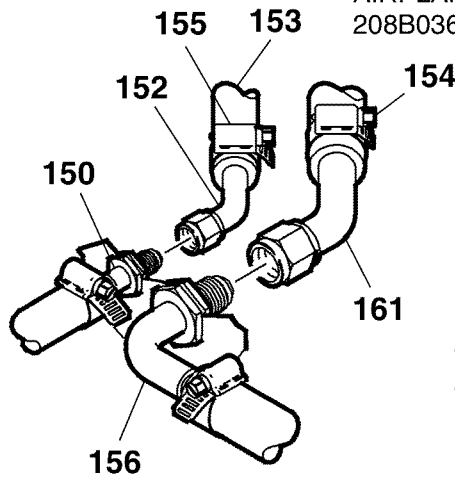


**DETAIL A**

AIRPLANES 20800234 THRU 20800273  
 208B0360 THRU 208B0654

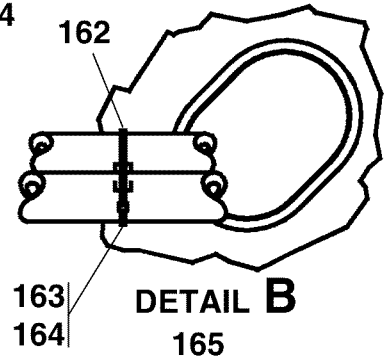


**DETAIL F**

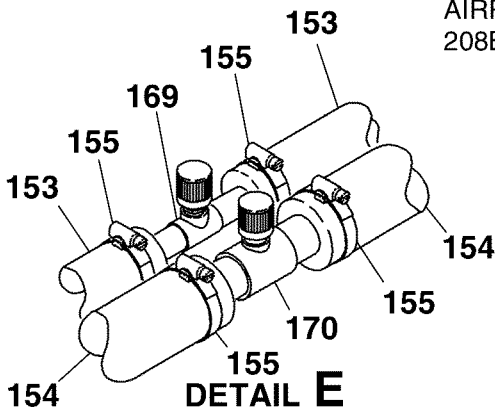


**DETAIL G**

AIRPLANES 20800001 THRU 20800233  
 208B0001 THRU 208B0359

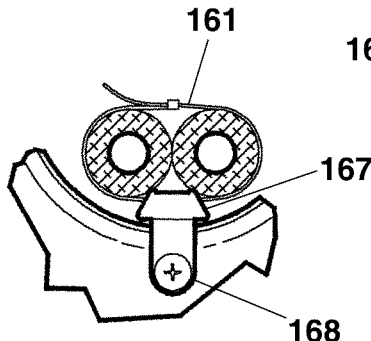


**DETAIL B**

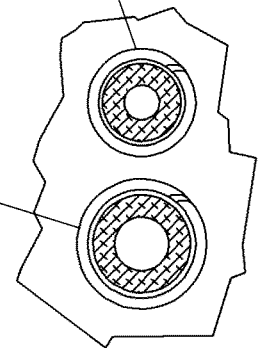


**DETAIL E**

AIRPLANES 20800140 THRU 20800273  
 208B0214 THRU 208B0654



**DETAIL D**



**DETAIL C**

26142036  
 A2614T1097A  
 B2614T1092  
 C2614T1091  
 D2614T1086  
 E2614T1068  
 F2614T1069  
 G2614T1097

AIR CONDITIONING SYSTEM  
 FIGURE 01 (SHEET 3)

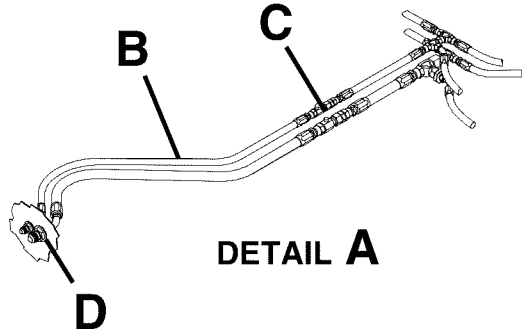
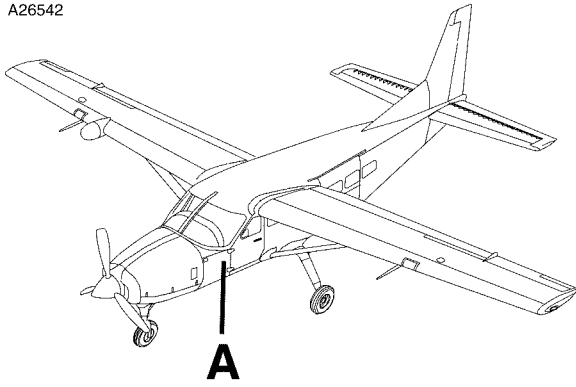
CESSNA®  
**MODEL 208**  
 ILLUSTRATED PARTS CATALOG

FIG ITEM	PART NUMBER	NOMENCLATURE	UNITS PER ASSY		
			1	2	3
01					
150	235-771	. FITTING-BULKHEAD . . . . . VFRIG	0140	0273	01
			B0214	B0654	
- 151	NAS1149F1232P	. WASHER . . . . .	0140	0273	01
			B0214	B0654	
152	235-655	. FITTING-45 DEGREE . . . . . VFRIG	0140	0273	01
			B0214	B0654	
153	R221213	. HOSE-DISCHARGE BKI . . . . . V81300	0140	0273	AR
			B0214	B0654	
154	R221215	. HOSE-SUCTION BKI . . . . . V81300	0140	0273	AR
			B0214	B0654	
155	221-101	. CLAMP-HOSE ATTACH . . . . . VFRIG	0140	0273	AR
			B0214	B0654	
155A	S1891-12S	. CLAMP-HOSE ATTACH . . . . .	0140	0273	01
			B0214	B0654	
155B	221-102	. CLAMP-HOSE ATTACH . . . . . VFRIG	0140	0273	01
			B0214	B0654	
156	235-776	. FITTING-BULKHEAD . . . . . VFRIG	0001	0233	01
			B0001	B0359	
- 157	NAS1149F1732P	. WASHER . . . . .	0001	0273	01
			B0001	B0654	
158	AN832-10J	. UNION . . . . .	0234	0273	01
			B0360	B0654	
159	NAS1149F1732P	. WASHER . . . . .	0140	0273	01
			B0214	B0654	
160	AN924-10J	. NUT . . . . .	0140	0273	01
			B0214	B0654	
161	2601450-1	. LINE ASSY . . . . .	0234	0273	01
			B0360	B0654	
162	MS3367-2-9	. STRAP . . . . .			AR
163	S1741-3	. ANCHOR . . . . .			01
		ATTACHING PARTS			
164	S1021Z6-6	. SCREW-ANCHOR . . . . .			01
		—*—			
165	NAS557-16A	. GROMMET . . . . .			01
166	NAS557-18A	. GROMMET . . . . .			01
167	S4132-1	. ANCHOR . . . . .			AR
		ATTACHING PARTS			
168	S1021Z8-6	. SCREW-MOUNT . . . . .			01
		—*—			
169	235-849	. CHARGE VALVE-AIR CONDITIONER DISCHARGE LINE . . . . . VFRIG	0140	0273	01
			B0214	B0654	
170	235-790	. CHARGE VALVE-AIR CONDITIONER SUCTION LINE . . . . . VFRIG	0140	0273	01
			B0214	B0654	
171	235-651	. FITTING . . . . . VFRIG	0140	0273	02
			B0214	B0654	
172	SA14	. SIGHT GLASS . . . . . V78462	0140	0273	01
			B0214	B0654	

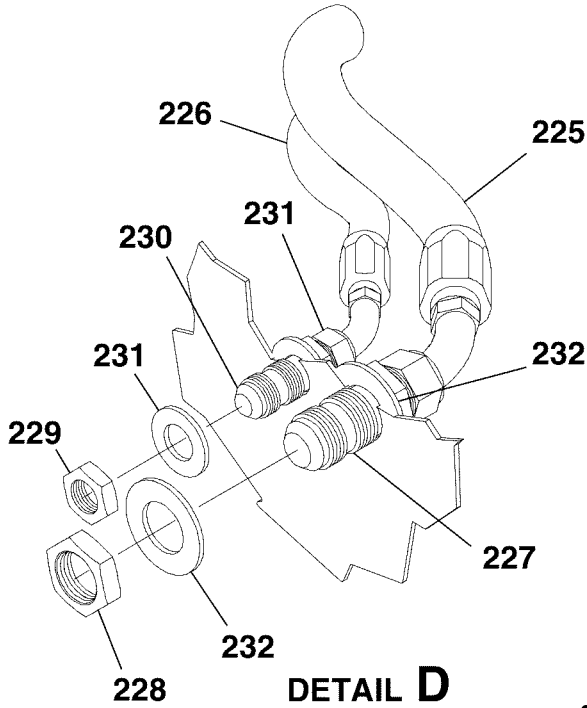
- ITEM NOT ILLUSTRATED

CESSNA®  
**MODEL 208**  
 ILLUSTRATED PARTS CATALOG

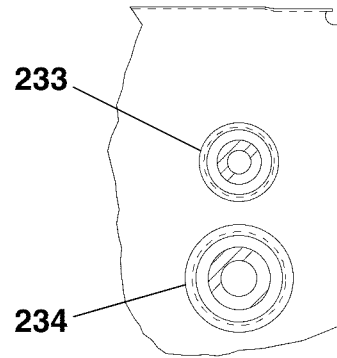
A26542



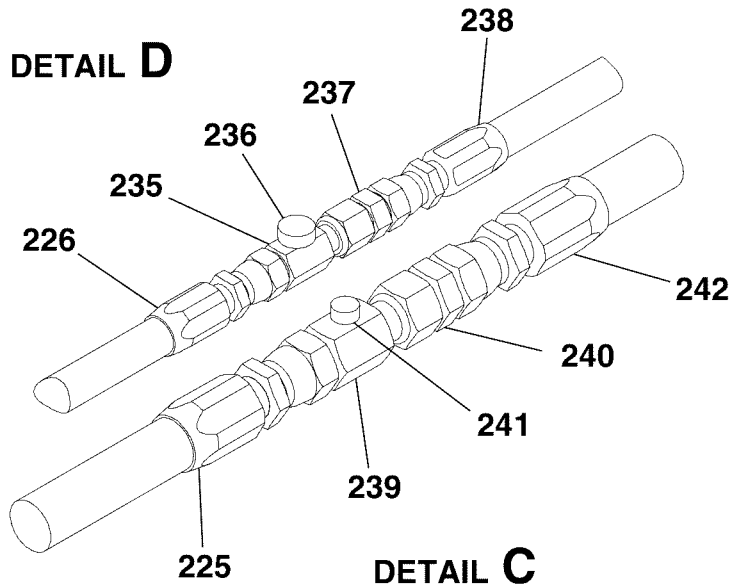
**DETAIL A**



**DETAIL D**



**DETAIL B**



**DETAIL C**

AIR CONDITIONING SYSTEM  
 FIGURE 01 (SHEET 4)

2610T7002  
 A2614T1340  
 B2614T1335  
 C2614T1341  
 D2614T1342

**CESSNA®**  
**MODEL 208**  
**ILLUSTRATED PARTS CATALOG**

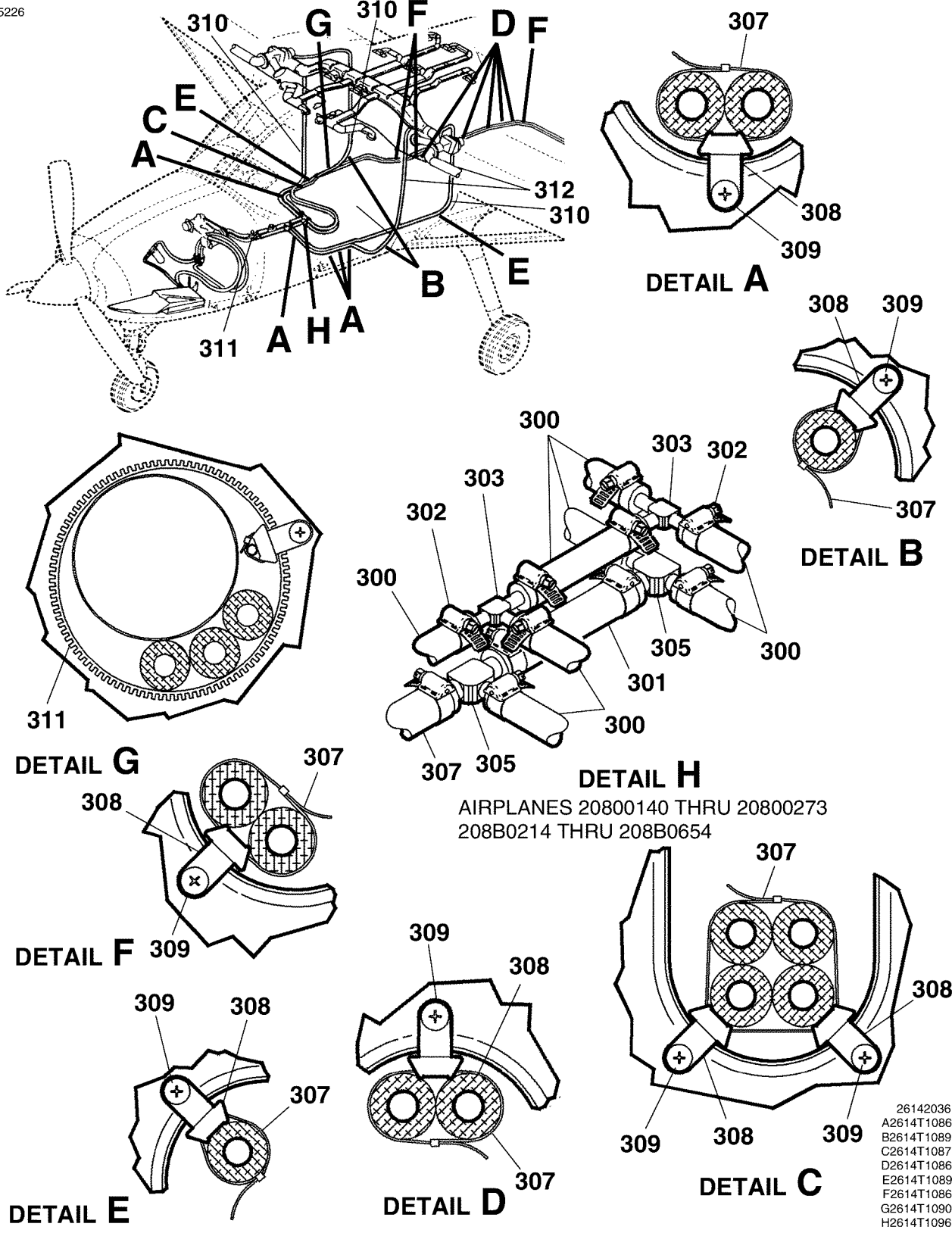
FIG ITEM	PART NUMBER	NOMENCLATURE	UNITS PER ASSY		
			1	2	3
01					
225	2601471-6	. HOSE ASSY-DISCHARGE LINE FSO AE713797-006 . . . . .	0274	0331	NP
- 225A	AE713797-006	. HOSE ASSY-DISCHARGE LINE . . . . .	B0655	B0877	
			0332	& ON	01
			B0878	& ON	
226	2601471-5	. HOSE ASSY-SUCTION LINE FSO AE713797-005 . . . . .	0274	0331	NP R
- 226A	AE713797-005	. HOSE ASSY-SUCTION LINE . . . . .	B0655	B0877	
			0332	& ON	01
			B0878	& ON	
227	AN832-12J	. UNION-ALT FOR AS5406J12 . . . . .	0274	& ON	01
- 227A	AS5406J12	. UNION-ALT FOR AN832-12J . . . . .	B0655	& ON	
			0274	& ON	01
			B0655	& ON	
228	AS5178J12	. NUT . . . . .	0274	& ON	01
			B0655	& ON	
229	AS5178J08	. NUT . . . . .	0274	& ON	01
			B0655	& ON	
230	AN832-8J	. UNION . . . . .	0274	& ON	01
			B0655	& ON	
231	NAS1149F1290P	. WASHER . . . . .	0274	& ON	04
			B0655	& ON	
232	NAS1149F1790P	. WASHER . . . . .	0274	& ON	02
			B0655	& ON	
233	NAS557-18A	. GROMMET . . . . .	0274	& ON	01
			B0655	& ON	
234	NAS557-24A	. GROMMET . . . . .	0274	& ON	01
			B0655	& ON	
235	235-1828	. VALVE-AIR CONDITIONER DISCHARGE LINE . . . . .	0274	& ON	01
- 235A	6302	. SERVICE PORT-AIR CONDITIONER DISCHARGE LINE ALT FOR 235-1828 . . . . .	B0655	& ON	
			0274	& ON	01
			B0655	& ON	
236	233-751	. O-RING . . . . . VFRIG	0274	& ON	02
			B0655	& ON	
- 236A	S4055-2	. O-RING-ALT FOR 233-751 . . . . .	0274	& ON	02
			B0655	& ON	
237	8F5X-S6302	. ADAPTER BUSHING . . . . . V04AE5	0274	0331	01
			B0655	B0877	
238	2601471-7	. HOSE ASSY FSO AE713797-007 . . . . .	0274	0331	NP
- 238A	AE713797-007	. HOSE ASSY . . . . .	B0655	B0877	
			0332	& ON	01
			B0878	& ON	
239	235-1829	. VALVE-AIR CONDITIONER SUCTION LINE . . . . . VFRIG	0274	& ON	01
- 239A	6303	. SERVICE PORT-AIR CONDITIONER DISCHARGE LINE ALT FOR 235-1829 . . . . .	B0655	& ON	
			0274	& ON	01
			B0655	& ON	
240	10F5X-S6303	. ADAPTER BUSHING . . . . . V04AE5	0274	0331	01
			B0655	B0877	
241	S4055-1	. O-RING . . . . . VFRIG	0274	& ON	02
			B0655	& ON	
242	2601471-8	. HOSE ASSY FSO AE713797-008 . . . . .	0274	0331	NP
- 242A	AE713797-008	. HOSE ASSY . . . . .	B0655	B0877	
			0332	& ON	01
			B0878	& ON	

- ITEM NOT ILLUSTRATED



CESSNA®  
**MODEL 208**  
 ILLUSTRATED PARTS CATALOG

A25226



AIRPLANES 20800140 THRU 20800273  
 208B0214 THRU 208B0654

- 26142036
- A2614T1086
- B2614T1089
- C2614T1087
- D2614T1086
- E2614T1089
- F2614T1086
- G2614T1090
- H2614T1096

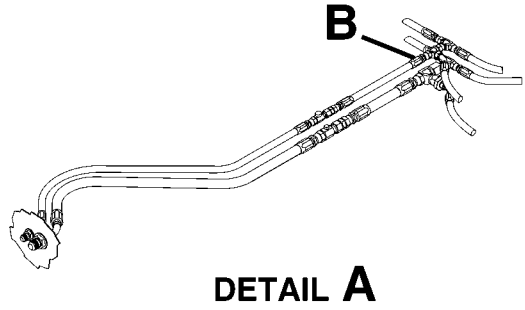
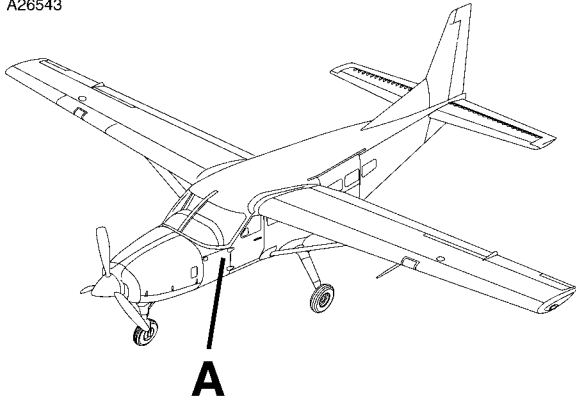
AIR CONDITIONING SYSTEM  
 FIGURE 01 (SHEET 5)

CESSNA®  
**MODEL 208**  
 ILLUSTRATED PARTS CATALOG

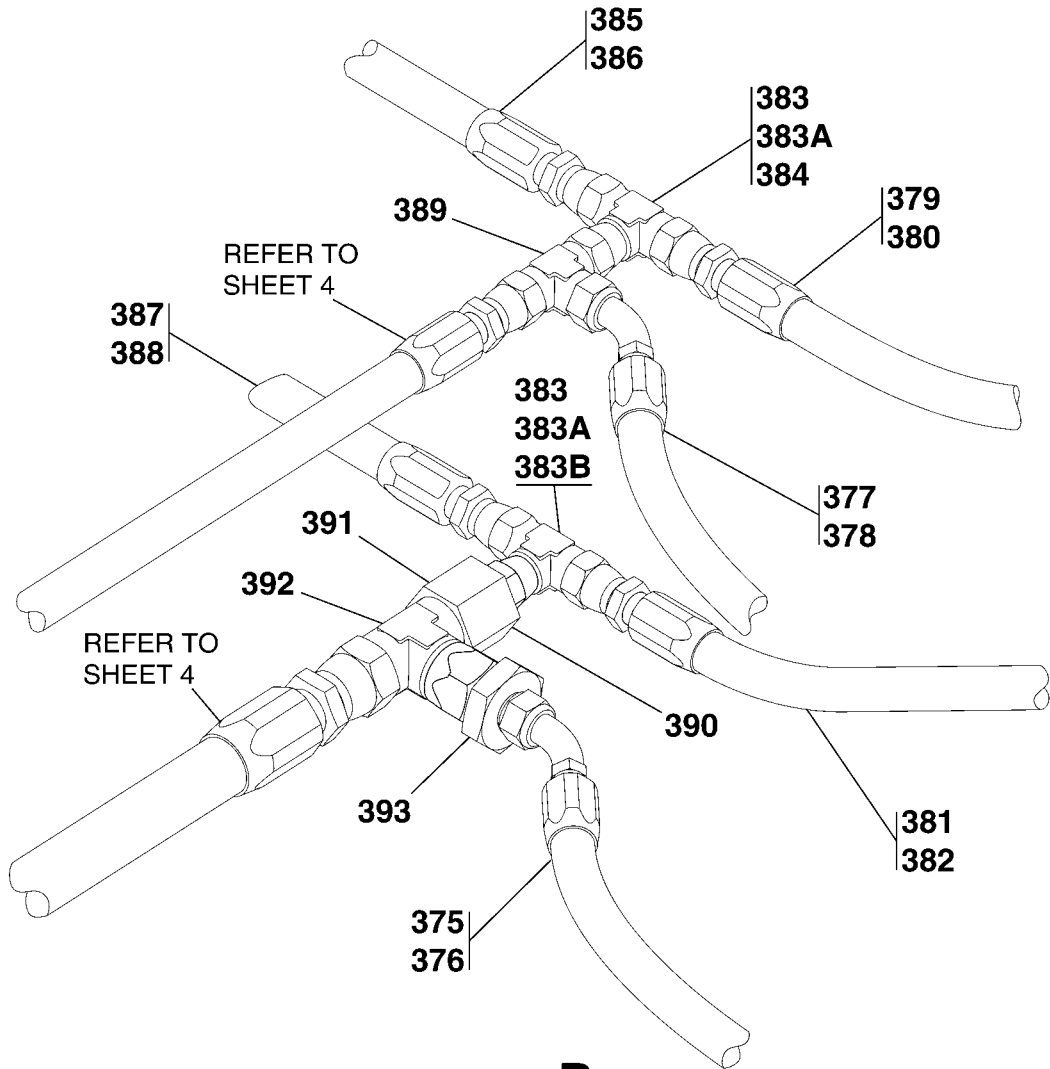
FIG ITEM	PART NUMBER	NOMENCLATURE	UNITS PER ASSY		
			1	2	3
01					
300	R221215	. HOSE BKI . . . . . V81300	0140	0273	AR
			B0214	B0654	
301	R221213	. HOSE BKI . . . . . V81300	0140	0273	AR
			B0214	B0654	
		ATTACHING PARTS			
302	221-101	. CLAMP . . . . . VFRIG	0140	0273	AR
			B0214	B0654	
		—*—			
303	0594030	. FITTING FSO 1602 . . . . .	0140	0273	02 R
			B0214	B0654	
- 304	1602	. T-SPLICER . . . . . V0A822	0140	0273	02
			B0214	B0654	
305	235-937	. FITTING . . . . . VFRIG	0140	0273	01
			B0214	B0654	
- 306	235-938	. FITTING . . . . . VFRIG	0140	0273	01
			B0214	B0654	
307	S2209-3	. TIE . . . . .			AR
308	S4132-1	. ANCHOR . . . . .			AR
		ATTACHING PARTS			
309	S1021Z8-6	. SCREW . . . . .			01
		—*—			
310	S1050-1	. GROMMET 5.40 IN LG BKI . . . . .			04
311	S1050-1	. GROMMET 11.88 IN LG BKI . . . . .			01
312	S1050-1	. GROMMET 3.14 IN LG BKI . . . . .			04

CESSNA®  
**MODEL 208**  
 ILLUSTRATED PARTS CATALOG

A26543



**DETAIL A**



**DETAIL B**

AIRPLANES 20800274 AND ON  
 208B0655 AND ON

AIR CONDITIONING SYSTEM  
 FIGURE 01 (SHEET 6)

2610T7002  
 A2614T1340  
 B2614T1343

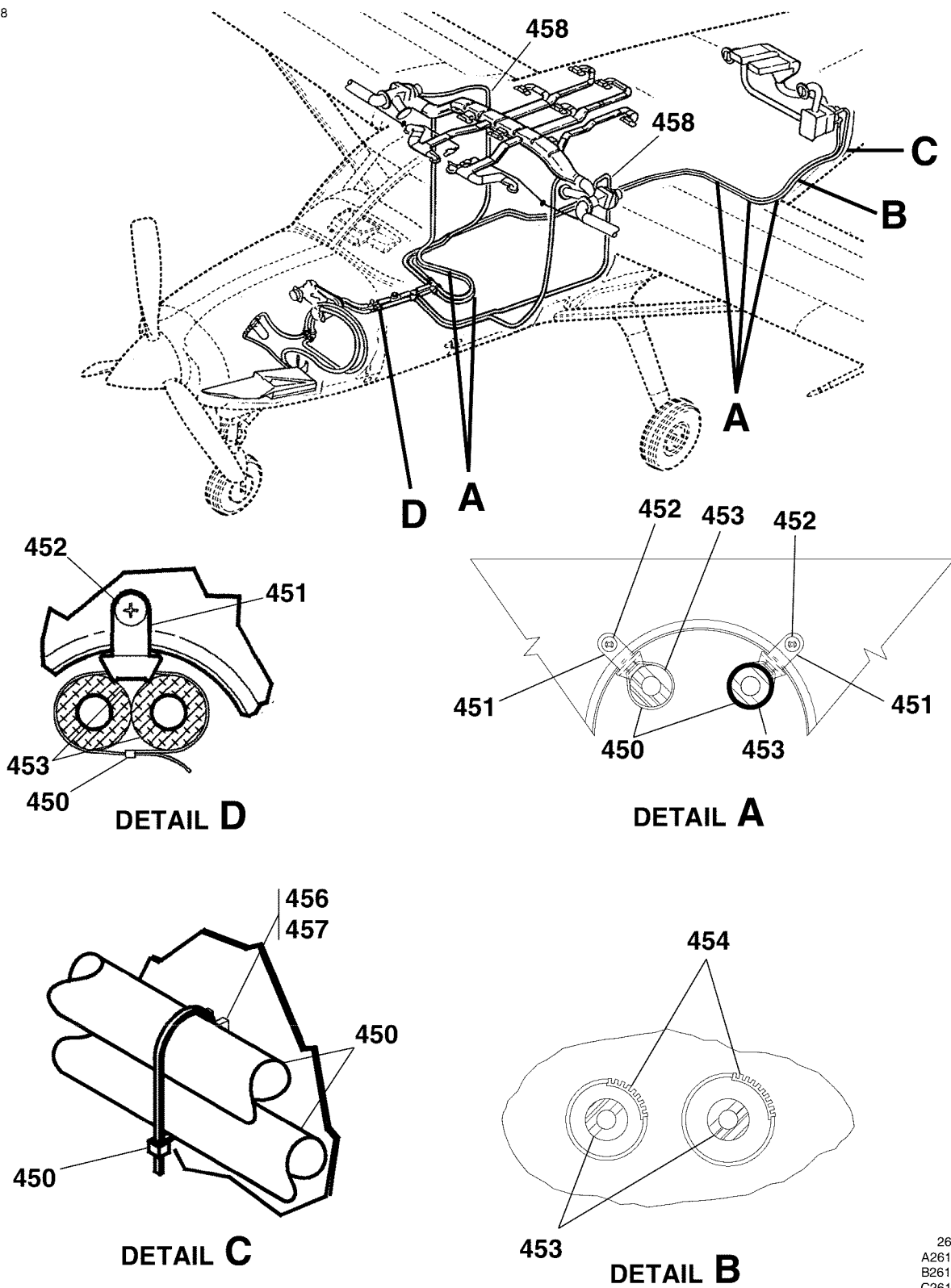
**CESSNA®**  
**MODEL 208**  
**ILLUSTRATED PARTS CATALOG**

FIG ITEM	PART NUMBER	NOMENCLATURE	UNITS PER ASSY		
			1	2	3
01					
375	2601471-12	. HOSE ASSY FSO AE713797-012		0274	0331 NP
- 375A	AE713797-012	. HOSE ASSY	V00624	0332	& ON 01
376	2601471-20	. HOSE ASSY FSO AE713797-020		B0655	B0877 NP
- 376A	AE713797-020	. HOSE ASSY	V00624	B0878	& ON 01
377	2601471-11	. HOSE ASSY FSO AE713797-011		0274	0331 NP
- 377A	AE713797-011	. HOSE ASSY	V00624	0332	0383 01
- 377B	AE713797-029	. HOSE ASSY	V00624	0384	& ON 01
378	2601471-19	. HOSE ASSY FSO AE713797-019		B0655	B0877 NP
- 378A	AE713797-019	. HOSE ASSY	V00624	B0878	B1091 01 R
- 378B	AE713797-028	. HOSE ASSY	V00624	B1097	& ON 01
379	2601471-13	. HOSE ASSY FSO AE713797-013		0274	0331 NP
- 379A	AE713797-013	. HOSE ASSY	V00624	0332	0383 01
- 379B	AE713797-027	. HOSE ASSY	V00624	0384	& ON 01
380	2601471-21	. HOSE ASSY FSO AE713797-021		B0655	B0877 NP
- 380A	AE713797-021	. HOSE ASSY	V00624	B0878	B1091 01
- 380B	AE713797-026	. HOSE ASSY	V00624	B1092	& ON 01
381	2601471-14	. HOSE ASSY FSO AE713797-014		0274	0331 NP
- 381A	AE713797-014	. HOSE ASSY	V00624	0332	& ON 01
382	2601471-22	. HOSE ASSY FSO AE713797-022		B0655	B0877 NP
- 382A	AE713797-022	. HOSE ASSY	V00624	B0878	& ON 01
383	393T-8-8	. TEE FSO 8S6X-S		0274	0331 02 R
				B0655	B0877
383A	CM3687D08-08-08	. TEE		0332	0383 02
				B0878	B1091
383B	CM3687D08-08-08	. TEE		B1092	& ON 01
384	CM3687D06-06-06	. TEE		0384	& ON 01
385	2601471-9	. HOSE ASSY FSO AE713797-009		0274	0331 NP
- 385A	AE713797-009	. HOSE ASSY	V00624	0332	& ON 01
386	2601471-17	. HOSE ASSY FSO AE713797-017		B0655	B0877 NP
- 386A	AE713797-017	. HOSE ASSY	V00624	B0878	& ON 01
387	2601471-10	. HOSE ASSY FSO AE713797-010		0274	0331 NP
- 387A	AE713797-010	. HOSE ASSY	V00624	0332	& ON 01
388	2601471-18	. HOSE ASSY FSO AE713797-018		B0655	B0877 NP
- 388A	AE713797-018	. HOSE ASSY	V00624	B0878	& ON 01
389	AN824-8D	. TEE		0274	& ON 01
				B0655	& ON
390	NAS1564D12-8	. REDUCER		0274	& ON 01
				B0655	& ON
391	AN818-12D	. NUT		0274	& ON 01
				B0655	& ON
392	393T-12-12	. TEE		0274	0331 01
				B0655	B0877
- 392A	CM3687D12-12-12	. TEE REFER TO NOTE 1		0332	& ON 01
				B0878	& ON
- 392B	12S6X-S	. TEE REFER TO NOTE 1			01
393	AS5174D1208	. REDUCER		0274	& ON 01
				B0655	& ON

NOTE 1—PERMISSIBLE TO USE 12S6X-S IN LIEU OF CM3687D12-12-12 ON AIRCRAFT -0545 THRU -0546, -B2419, -B2422 THRU -B2424, -B2431, AND -B5005 THRU -B5006.

CESSNA®  
**MODEL 208**  
 ILLUSTRATED PARTS CATALOG

A25228



AIR CONDITIONING SYSTEM  
 FIGURE 01 (SHEET 7)

26142036  
 A2614T1338  
 B2614T1339  
 C2614T1093  
 D2614T1086

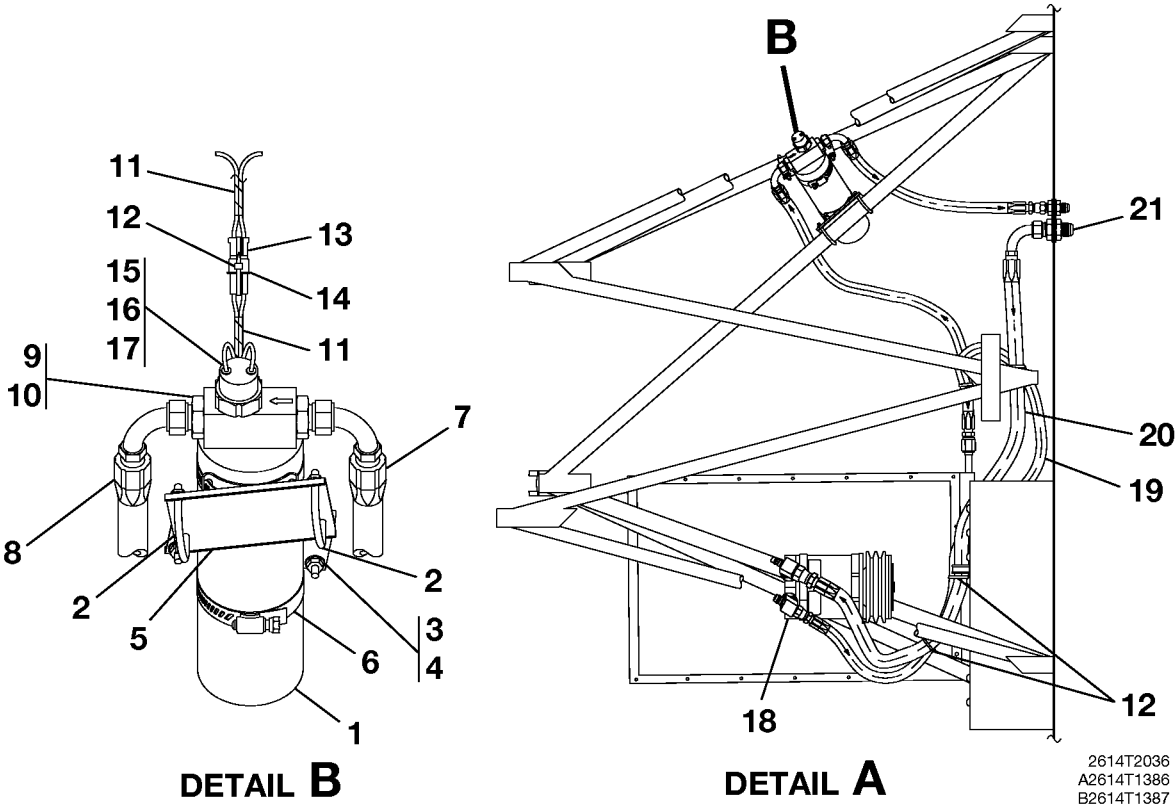
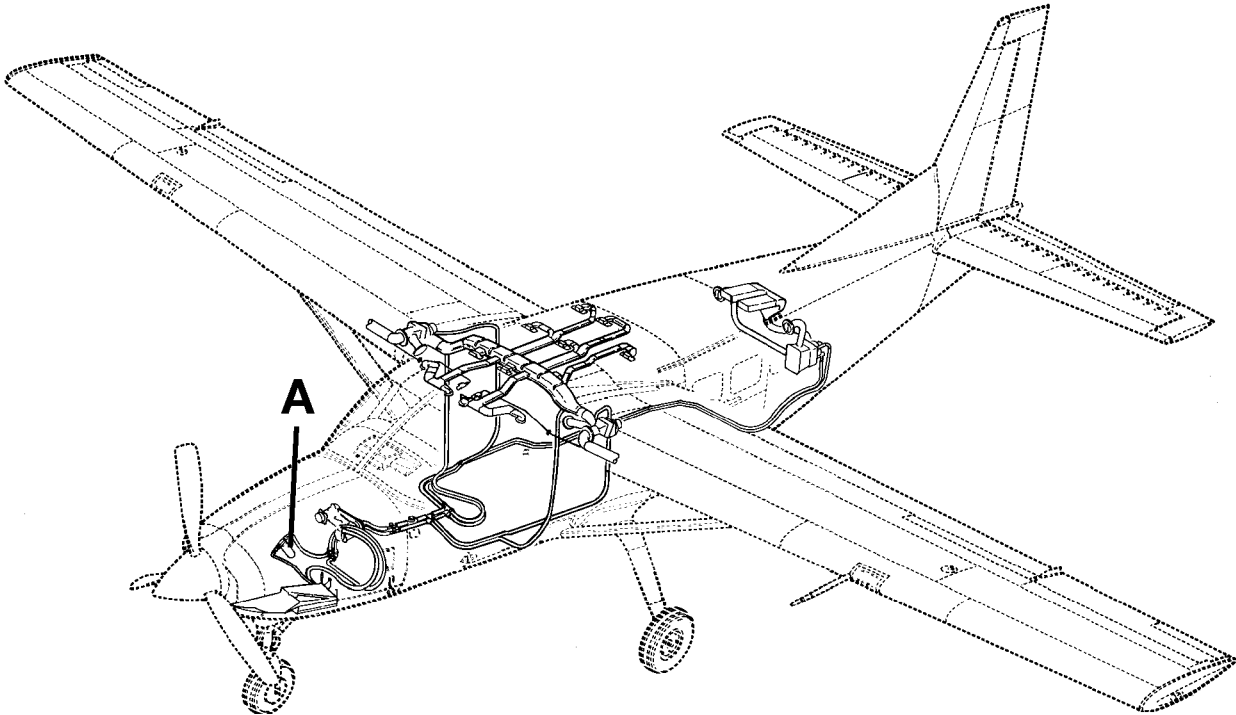
CESSNA®  
**MODEL 208**  
 ILLUSTRATED PARTS CATALOG

FIG ITEM	PART NUMBER	NOMENCLATURE							UNITS PER ASSY				
		1	2	3	4	5	6	7					
01													
450	MS3367-2-9	.											AR
451	S4132-1	.											AR
452	S1021Z8-6	.											01
		.											
		.											
453	R221213	.											AR
454	S1050-1	.											01
		.											
- 455	S1050-1	.											01
		.											
456	S1741-3	.											02
		.											
		.											
457	S1021Z6-6	.											01
		.											
		.											
458	S1050-1	.											02

- ITEM NOT ILLUSTRATED

CESSNA®  
**MODEL 208**  
 ILLUSTRATED PARTS CATALOG

A63174



AIR CONDITIONING SYSTEM  
 FIGURE 01A (SHEET 1)

2614T2036  
 A2614T1386  
 B2614T1387

CESSNA®  
**MODEL 208**  
 ILLUSTRATED PARTS CATALOG

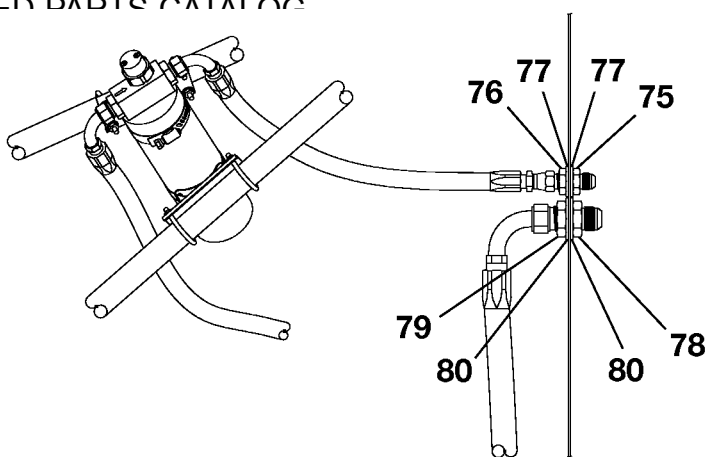
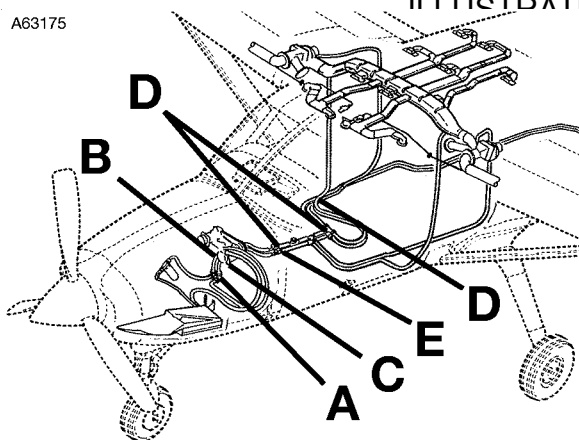
FIG ITEM	PART NUMBER	NOMENCLATURE	UNITS
			PER ASSY
		1 2 3 4 5 6 7	
01A		AIR CONDITIONING SYSTEM -REFER TO NOTE 1	RF
-		. RECEIVER/DRYER . . . . .	01
1	1936T100-9	. ATTACHING PARTS	
		. CLAMP BOLT . . . . .	04
2	2601260-5	. WASHER . . . . .	08
3	NAS1149D0363K	. NUT . . . . .	08
4	MS21083N3	. SUPPORT BRACKET ASSY . . . . .	01
5	2601260-2	. CLAMP . . . . .	02
6	S1891-48S	—*—	
7	AE713797-003	. HOSE ASSY-INTAKE . . . . .	01
8	AE713797-004	. HOSE ASSY-DISCHARGE . . . . .	01
9	AS5174-0806	. REDUCER . . . . .	02
10	S3278A6	. O-RING . . . . .	02
11	B7444-1-2-4C	. SLEEVING . . . . .	AR
12	S2209-1	. TIE . . . . .	01
13	S2035-2	. HOUSING . . . . .	01
14	S2035-1	. HOUSING . . . . .	01
15	1250232-7	. PRESSURE SWITCH . . . . .	01
16	AS5174D0403	. REDUCER . . . . .	01
17	S3278A3	. O-RING . . . . .	01
18	SD5H14C4527	. COMPRESSOR . . . . . V63829	01
19	AE713797-002	. HOSE ASSY . . . . .	01
20	AE713797-001	. HOSE ASSY . . . . .	01
21		. HOSE ASSY FITTINGS . . . . .	RF
- 22	2677012-6	. WBA-COMPRESSOR CLUTCH-SMASSY JN009 . . . . .	01
- 23	2677012-11	. WBA-COMPRESSOR CLUTCH-SMASSY JN050 . . . . .	01

NOTE 1—AIRPLANES -0140 THRU -0415, -0417 THRU -0499 AND AIRPLANES -B0214 THRU -B1189, -B1191 THRU -B1215, AND -B1217 THRU-B1999 INCORPORATING SK208-157A

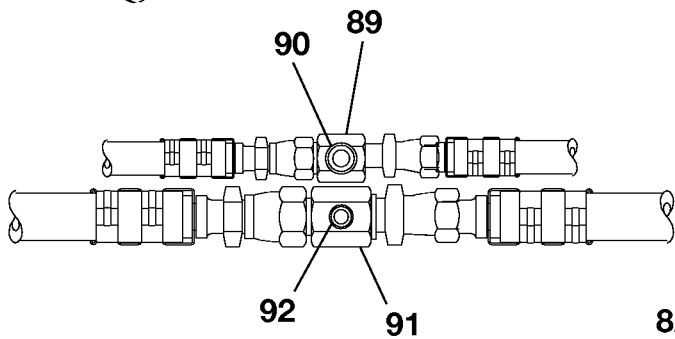


CESSNA®  
**MODEL 208**  
 ILLUSTRATED PARTS CATALOG

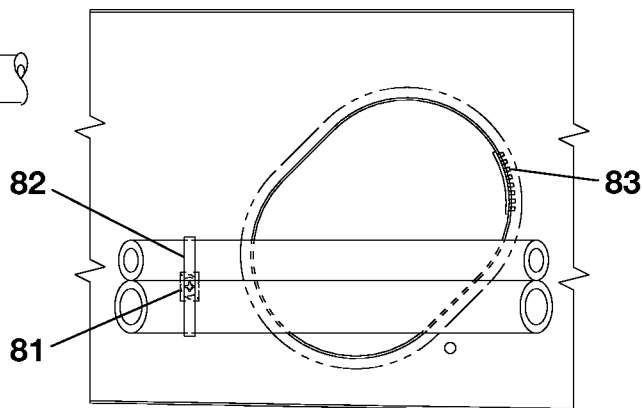
A63175



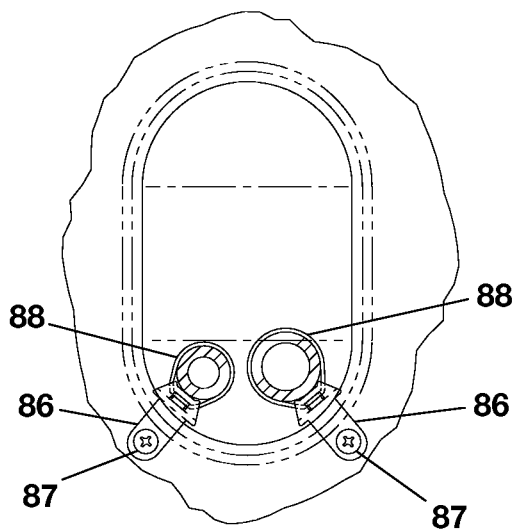
**DETAIL A**



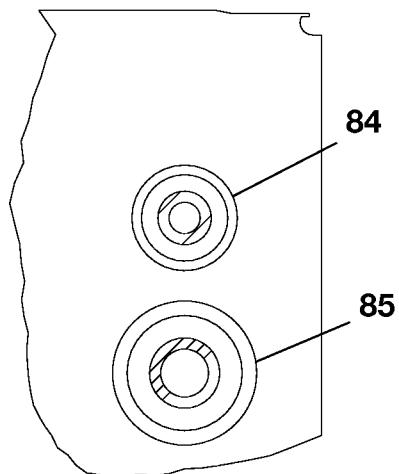
**DETAIL E**



**DETAIL B**



**DETAIL D**  
 TYPICAL



**DETAIL C**

2614T2036  
 A2614T1388  
 B2614T1389  
 C2614T1390  
 D2614T1391  
 E2614T1392

AIR CONDITIONING SYSTEM  
 FIGURE 01A (SHEET 2)

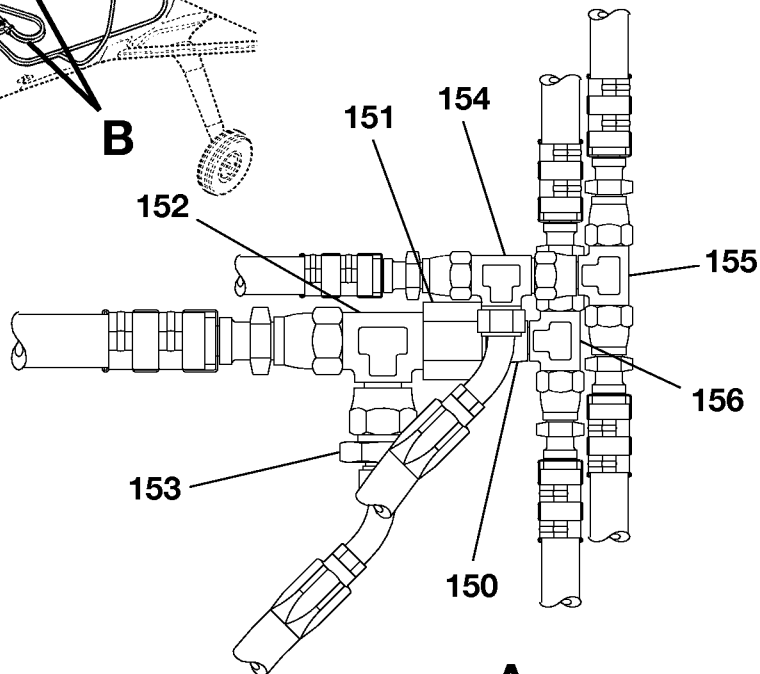
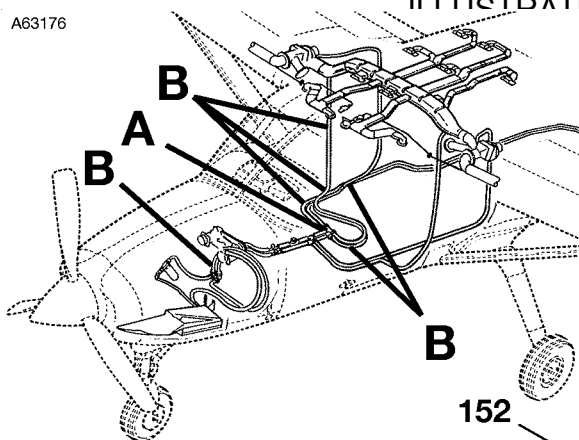
CESSNA®  
**MODEL 208**  
 ILLUSTRATED PARTS CATALOG

FIG ITEM	PART NUMBER	NOMENCLATURE	UNITS
			PER ASSY
		1 2 3 4 5 6 7	
01A			
75	AN832-8J	. UNION . . . . .	01
76	AS5178J08	. NUT . . . . .	01
77	NAS1149F1290P	. WASHER . . . . .	02
78	AN832-12J	. UNION . . . . .	01
79	AS5178J12	. NUT . . . . .	01
80	NAS1149F1790P	. WASHER . . . . .	02
81	S1741-1	. ANCHOR . . . . .	01
82	MS3367-2-9	. STRAP . . . . .	01
83	S1050-1	. GROMMET . . . . .	AR
84	NAS557-18A	. GROMMET . . . . .	01
85	NAS557-24A	. GROMMET . . . . .	01
86	S4132-1	. ANCHOR . . . . .	AR
		ATTACHING PARTS	
87	S1021Z8-6	. SCREW . . . . .	02
		—*—	
88	MS3367-2-9	. STRAP . . . . .	02
89	235-1828	. VALVE ALT FOR 6302 . . . . .	01 R
- 89A	6302	. SERVICE PORT-VALVE ALT FOR 235-1828 . . . . . V0A822	01
90	233-751	. O-RING ALT FOR S4055-2 . . . . .	02 R
- 90A	S4055-2	. O-RING-ALT FOR 233-751 . . . . .	02 R
91	235-1829	. VALVE ALT FOR 6303 . . . . .	01 R
- 91A	6303	. SERVICE PORT-VALVE ALT FOR 235-1829 . . . . . V0A822	01
92	S4055-1	. O-RING . . . . .	02

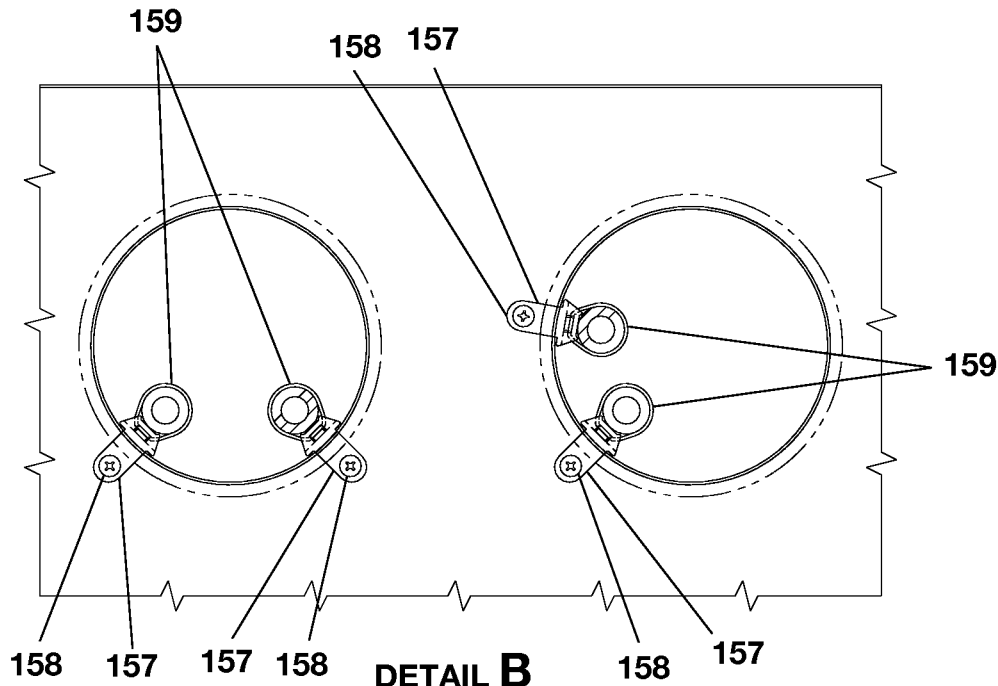
- ITEM NOT ILLUSTRATED

CESSNA®  
**MODEL 208**  
 ILLUSTRATED PARTS CATALOG

A63176



**DETAIL A**



**DETAIL B**

TYPICAL

AIR CONDITIONING SYSTEM  
 FIGURE 01A (SHEET 3)

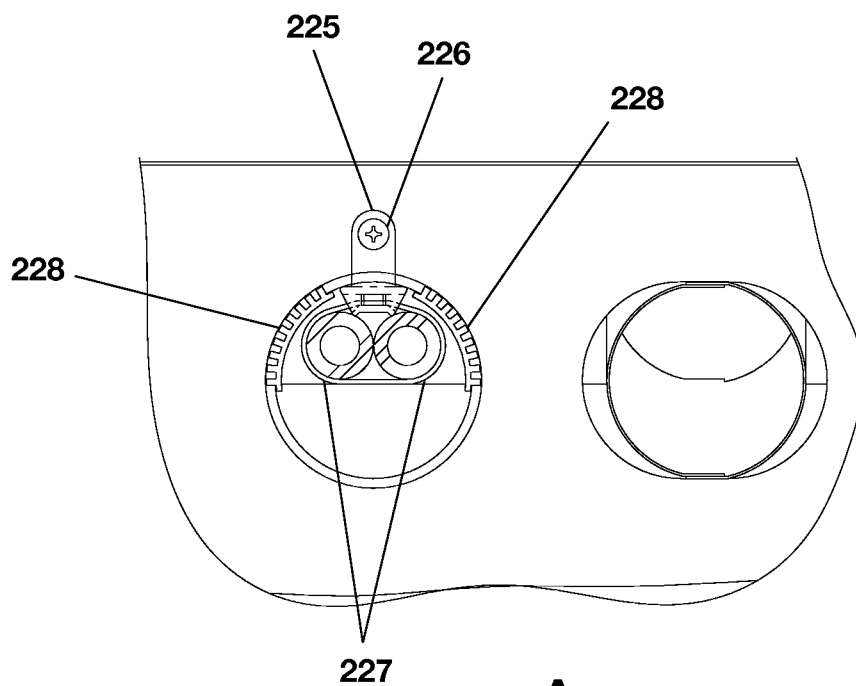
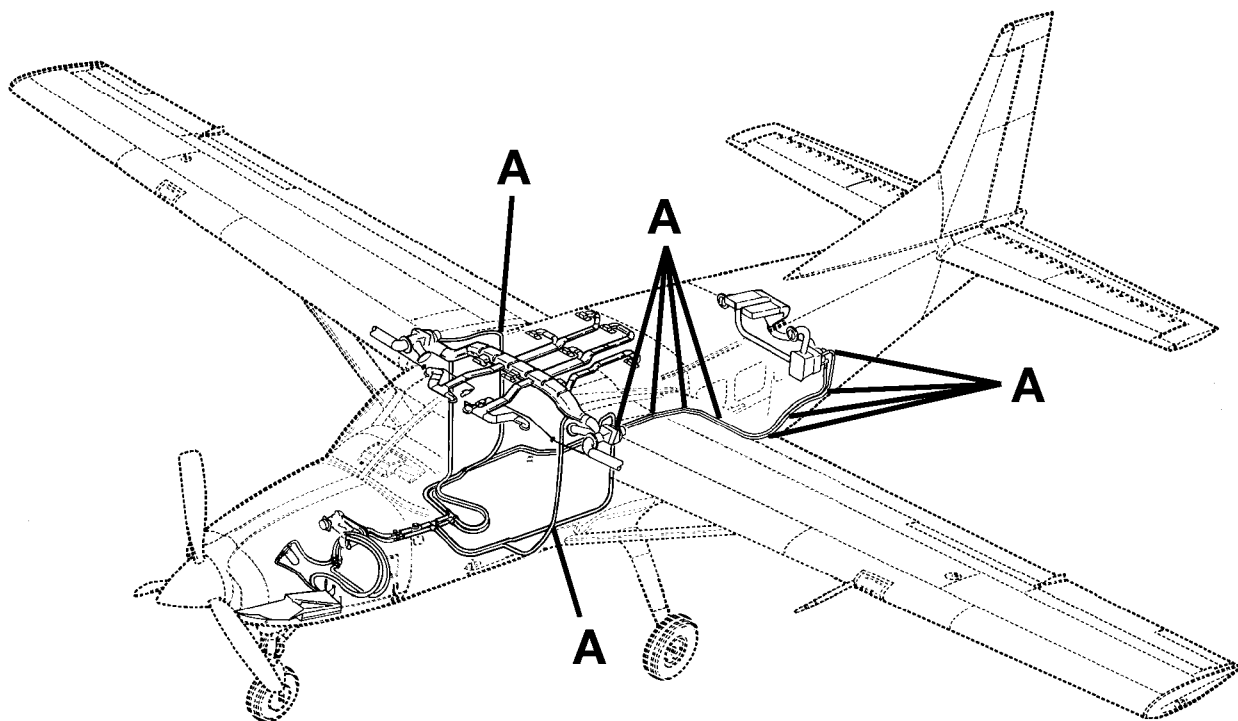
2614T2036  
 A2614T1393  
 B2614T1394

CESSNA®  
**MODEL 208**  
 ILLUSTRATED PARTS CATALOG

FIG ITEM	PART NUMBER	NOMENCLATURE							UNITS PER ASSY
		1	2	3	4	5	6	7	
01A									
150	NAS1564D12-8	.	REDUCER	.	.	.	.	.	01
151	AN818-12D	.	NUT	.	.	.	.	.	01
152	CM3687D12-12-12	.	TEE	.	.	.	.	.	01
153	AS5174D1208	.	REDUCER	.	.	.	.	.	01
154	AN824-6D	.	TEE	.	.	.	.	.	01
155	CM3687D06-06-06	.	TEE	.	.	.	.	.	01
156	CM3687D08-08-08	.	TEE	.	.	.	.	.	01
157	S4132-1	.	ANCHOR	.	.	.	.	.	AR
158	S1021Z8-6	.	SCREW	.	.	.	.	.	AR
159	MS3367-2-9	.	STRAP	.	.	.	.	.	AR

CESSNA®  
**MODEL 208**  
ILLUSTRATED PARTS CATALOG

A63177



**227**  
**DETAIL A**  
TYPICAL  
AIR CONDITIONING SYSTEM  
FIGURE 01A (SHEET 4)

2614T2036  
A2614T1395

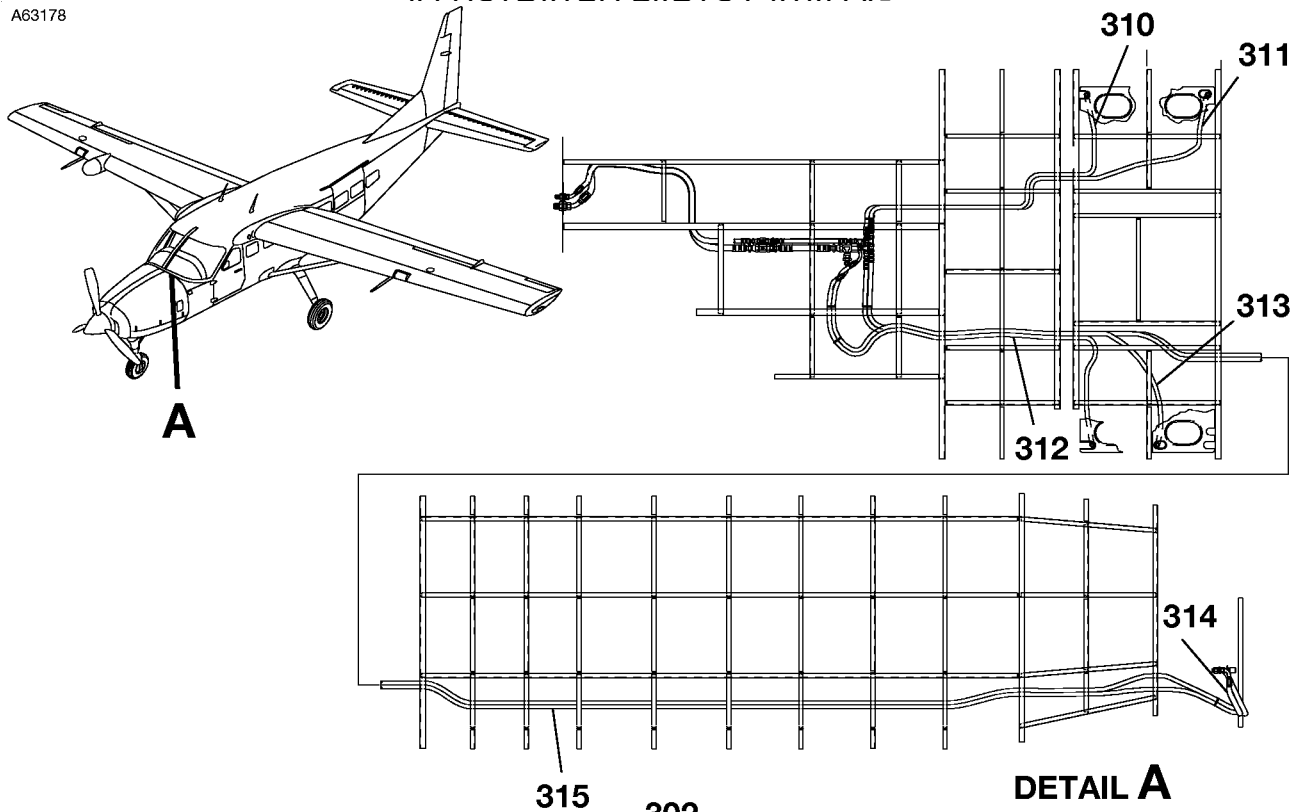
CESSNA®  
**MODEL 208**  
 ILLUSTRATED PARTS CATALOG

FIG ITEM	PART NUMBER	1 2 3 4 5 6 7	NOMENCLATURE	UNITS
				PER ASSY
01A				
225	S4132-1	.	ANCHOR .....	AR
226	S1021Z8-6	.	SCREW .....	AR
227	MS3367-2-9	.	STRAP .....	AR
228	S1050-1	.	GROMMET .....	AR

CESSNA®  
MODEL 208

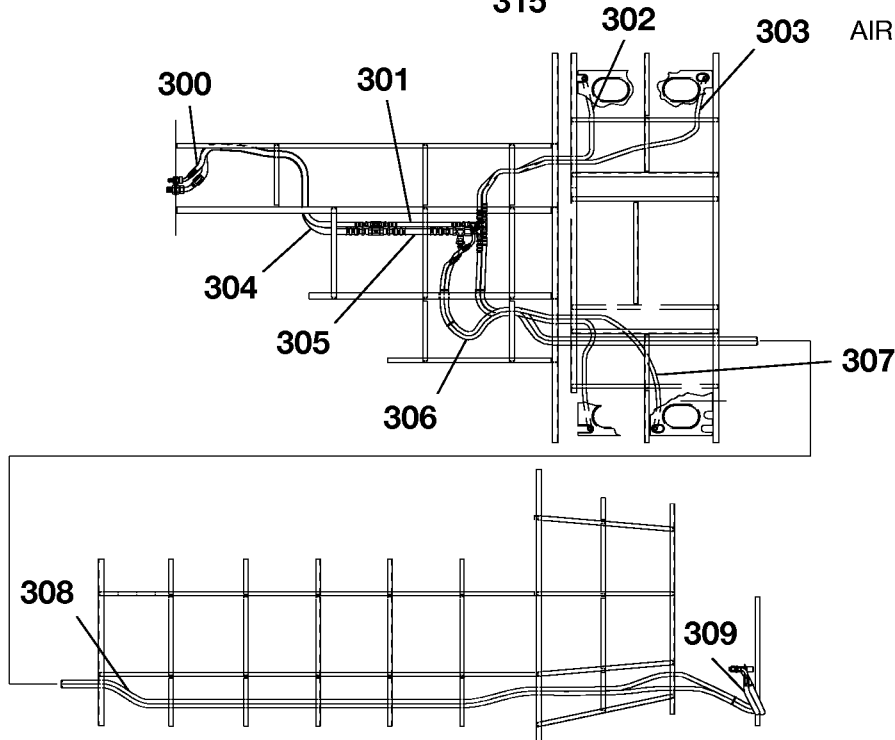
ILLUSTRATED PARTS CATALOG

A63178



**DETAIL A**

AIRPLANES 208B-0878 AND ON



**DETAIL A**

AIRPLANES 208-0332 AND ON

AIR CONDITIONING SYSTEM  
FIGURE 01A (SHEET 5)

2610T7005  
A2614T1396  
A2614T1397

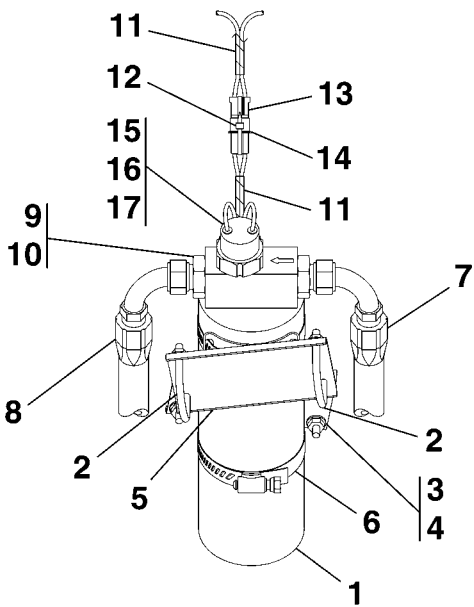
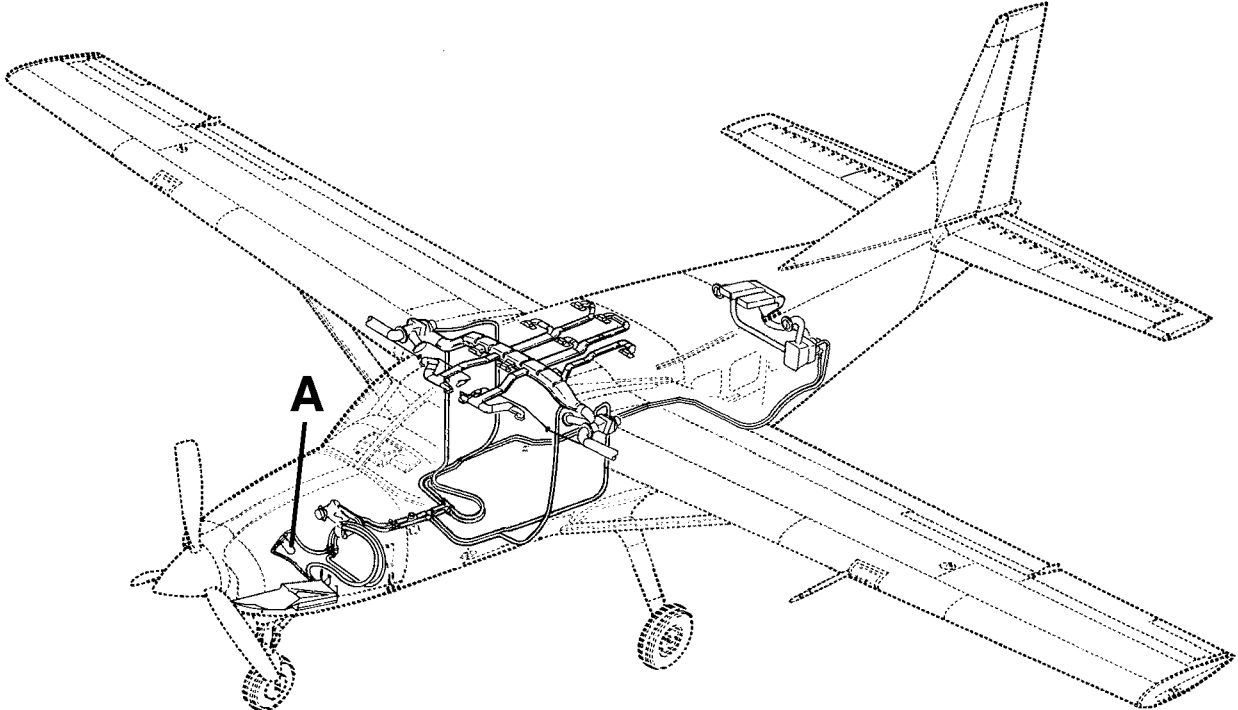
CESSNA®  
**MODEL 208**  
 ILLUSTRATED PARTS CATALOG

FIG ITEM	PART NUMBER	NOMENCLATURE	UNITS
			PER ASSY
		1 2 3 4 5 6 7	
01A			
300	AE713797-005	. HOSE ASSY . . . . .	01
301	AE713797-023	. HOSE ASSY . . . . .	01
302	AE713797-010	. HOSE ASSY . . . . .	01
303	AE713797-025	. HOSE ASSY . . . . .	01
304	AE713797-006	. HOSE ASSY . . . . .	01
305	AE713797-008	. HOSE ASSY . . . . .	01
306	AE713797-012	. HOSE ASSY . . . . .	01
307	AE713797-029	. HOSE ASSY . . . . .	01
308	AE713797-027	. HOSE ASSY . . . . .	01
309	AE713797-014	. HOSE ASSY . . . . .	01
310	AE713797-018	. HOSE ASSY . . . . .	01
311	AE713797-024	. HOSE ASSY . . . . .	01
312	AE713797-020	. HOSE ASSY . . . . .	01
313	AE713797-028	. HOSE ASSY . . . . .	01
314	AE713797-022	. HOSE ASSY . . . . .	01
315	AE713797-026	. HOSE ASSY . . . . .	01

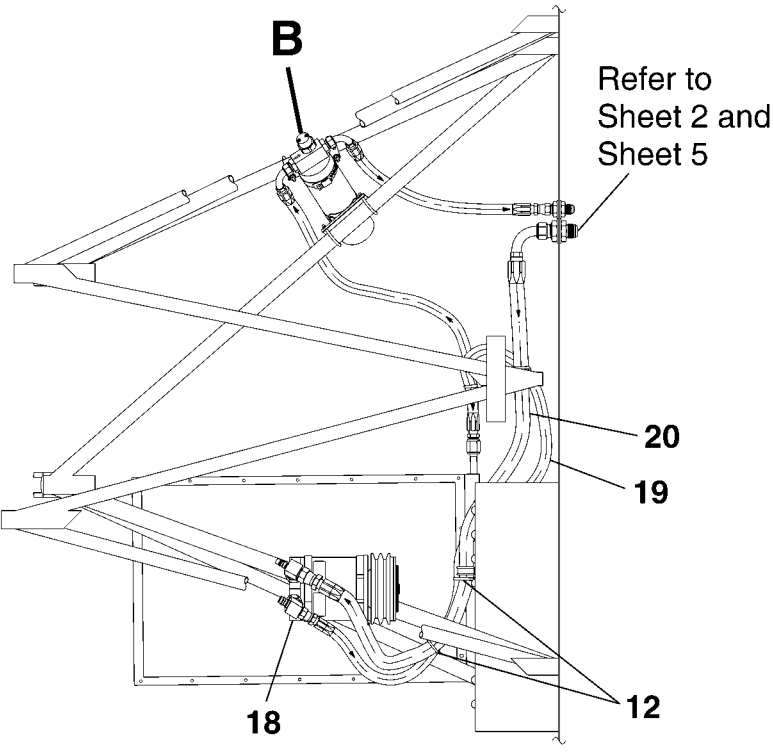


CESSNA®  
**MODEL 208**  
 ILLUSTRATED PARTS CATALOG

A104700



**DETAIL B**



**DETAIL A**

AIR CONDITIONING SYSTEM  
 FIGURE 01B (SHEET 1)

2614T2036  
 A2614T1386  
 B2614T1387

CESSNA®  
**MODEL 208**  
 ILLUSTRATED PARTS CATALOG

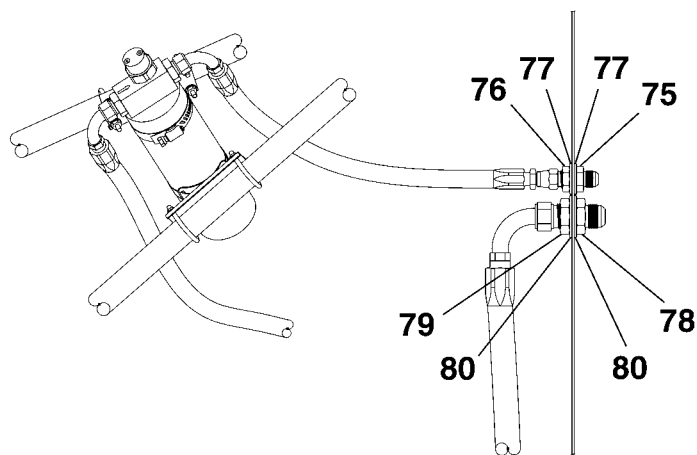
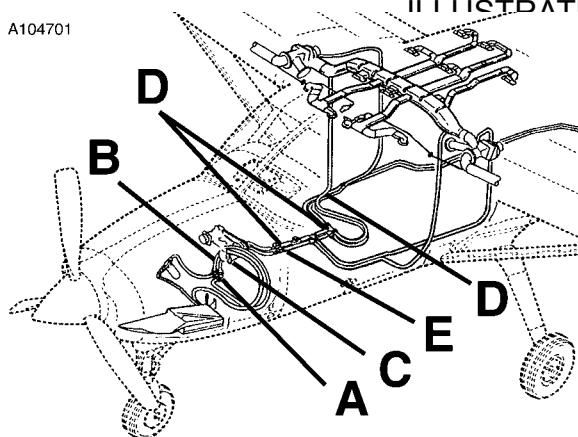
FIG ITEM	PART NUMBER	NOMENCLATURE	UNITS
			PER ASSY
		1 2 3 4 5 6 7	
01B		AIR CONDITIONING SYSTEM -REFER TO NOTE 1 AND NOTE 2	RF
-		. RECEIVER/DRYER . . . . .	01
1	1936T100-9	. CLAMP BOLT-DRYER . . . . .	04
2	2601260-5	. WASHER-DRYER . . . . .	08
3	NAS1149D0363K	. NUT-DRYER . . . . .	08
4	MS21083N3	. SUPPORT BRACKET ASSY-DRYER . . . . .	01
5	2601260-2	. CLAMP-DRYER . . . . .	02
6	S1891-48S	. HOSE ASSY-INTAKE . . . . .	01
7	AE713797-003	. HOSE ASSY-DISCHARGE . . . . .	01
8	AE713797-004	. REDUCER . . . . .	02
9	AS5174D0806	. O-RING . . . . .	02
10	S3278A6	. SLEEVING . . . . .	AR
11	B7444-1-2-4C	. TIE . . . . .	01
12	S2209-1	. HOUSING . . . . .	01
13	S2035-2	. HOUSING . . . . .	01
14	S2035-1	. PRESSURE SWITCH ASSY . . . . .	01
15	2601469-2	. REDUCER . . . . .	01
16	AN919-2D	. O-RING . . . . .	01
17	S3278A3	. COMPRESSOR-REFER TO 21-51-01 FIGURE 01A . . . . .	RF
18		. HOSE ASSY . . . . .	01
19	AE713797-002	. HOSE ASSY . . . . .	01
20	AE713797-001		

NOTE 1—AIRPLANES -0500 AND ON AND AIRPLANES -B2000 THRU -B4999 INCORPORATING CAB-21-03.

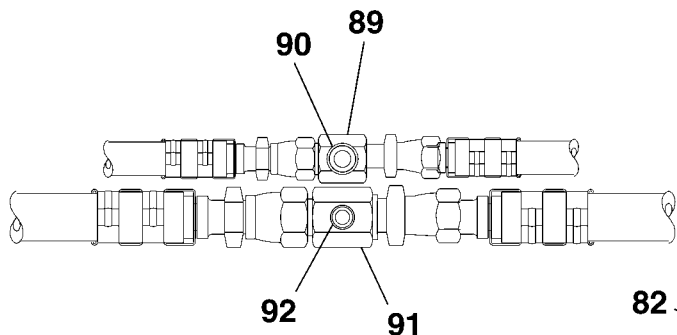
NOTE 2—AIRPLANES -B5000 AND ON INCORPORATING CAB-21-04.

CESSNA®  
**MODEL 208**  
 ILLUSTRATED PARTS CATALOG

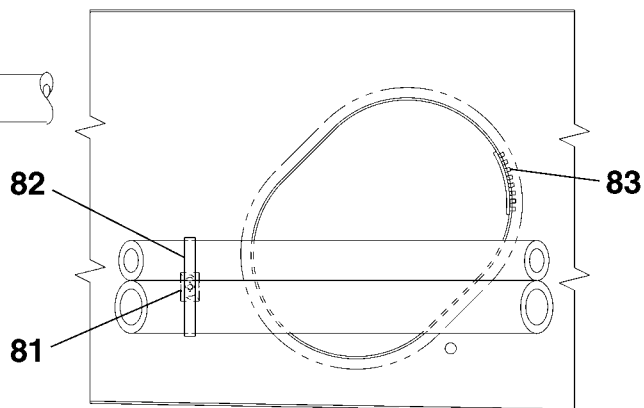
A104701



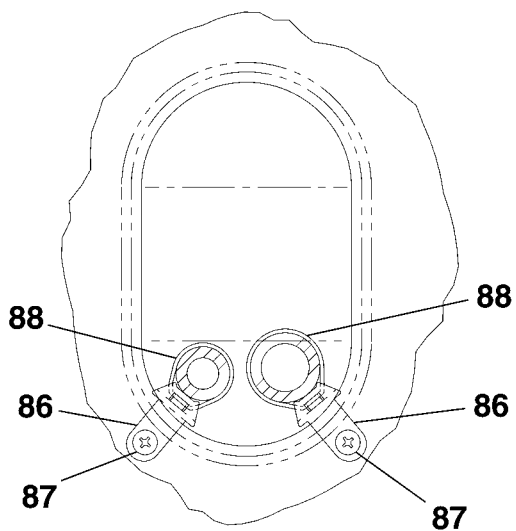
**DETAIL A**



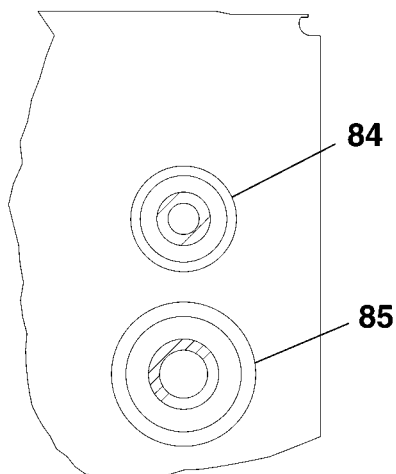
**DETAIL E**



**DETAIL B**



**DETAIL D**  
 TYPICAL



**DETAIL C**

2614T2036  
 A2614T1388  
 B2614T1389  
 C2614T1390  
 D2614T1391  
 E2614T1392

AIR CONDITIONING SYSTEM  
 FIGURE 01B (SHEET 2)

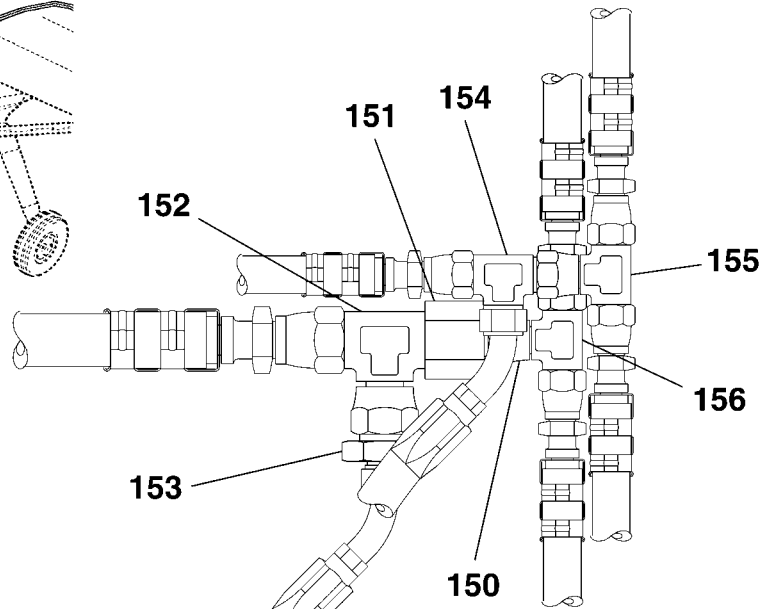
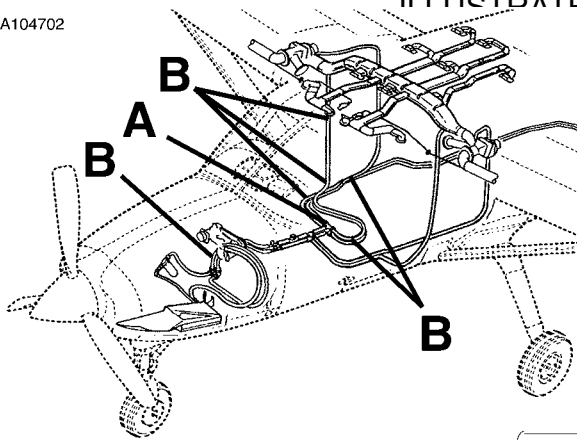
CESSNA®  
**MODEL 208**  
 ILLUSTRATED PARTS CATALOG

FIG ITEM	PART NUMBER	NOMENCLATURE	UNITS
			PER ASSY
		1 2 3 4 5 6 7	
01B			
75	AN832-8J	. UNION . . . . .	01
76	AS5178J08	. NUT . . . . .	01
77	NAS1149F1290P	. WASHER . . . . .	02
78	AN832-12J	. UNION . . . . .	01
79	AS5178J12	. NUT . . . . .	01
80	NAS1149F1790P	. WASHER . . . . .	02
81	S1741-1	. ANCHOR . . . . .	01
82	MS3367-2-9	. STRAP . . . . .	01
83	S1050-1	. GROMMET . . . . .	AR
84	NAS557-18A	. GROMMET . . . . .	01
85	NAS557-24A	. GROMMET . . . . .	01
86	S4132-1	. ANCHOR . . . . .	AR
		ATTACHING PARTS	
87	S1021Z8-6	. SCREW . . . . .	02
		—*—	
88	MS3367-2-9	. STRAP . . . . .	02
89	235-1828	. VALVE-ALT FOR 6302 . . . . .	01
- 89A	6302	. SERVICE PORT-ALT FOR 235-1828 . . . . . V0A822	01
90	233-751	. O-RING-ALT FOR S4055-2 . . . . .	02
- 90A	S4055-2	. O-RING-ALT FOR 233-751 . . . . .	02
91	235-1829	. VALVE-ALT FOR 6303 . . . . .	01
- 91A	6303	. SERVICE PORT-ALT FOR 235-1829 . . . . . V0A822	01
92	S4055-1	. O-RING . . . . .	02

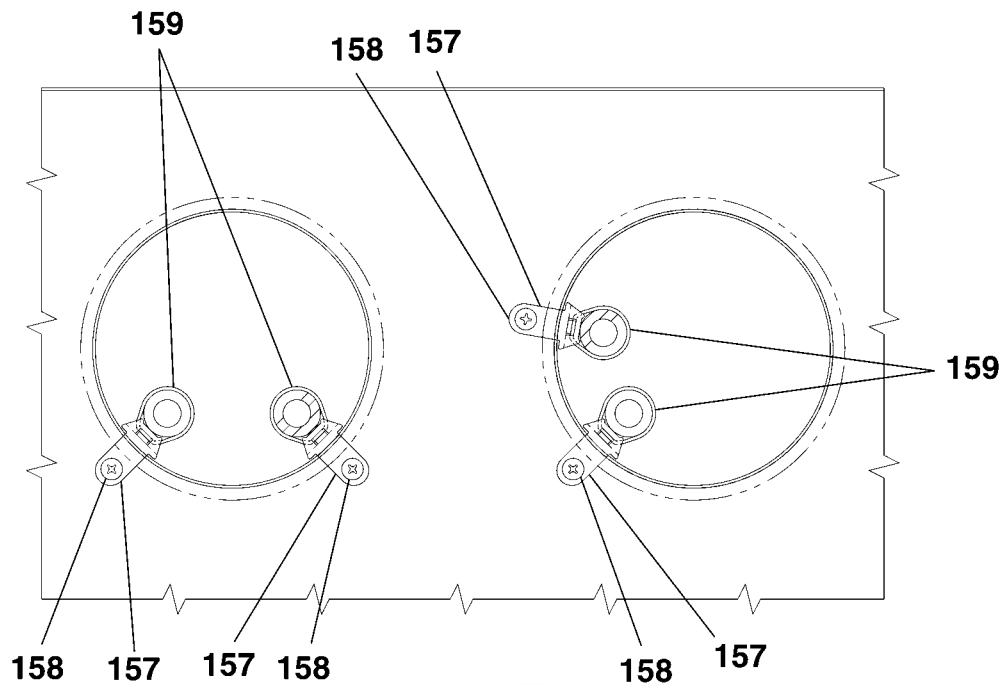
- ITEM NOT ILLUSTRATED

CESSNA®  
**MODEL 208**  
 ILLUSTRATED PARTS CATALOG

A104702



**DETAIL A**



**DETAIL B**  
 TYPICAL

AIR CONDITIONING SYSTEM  
 FIGURE 01B (SHEET 3)

2614T2036  
 A2614T1393  
 B2614T1394

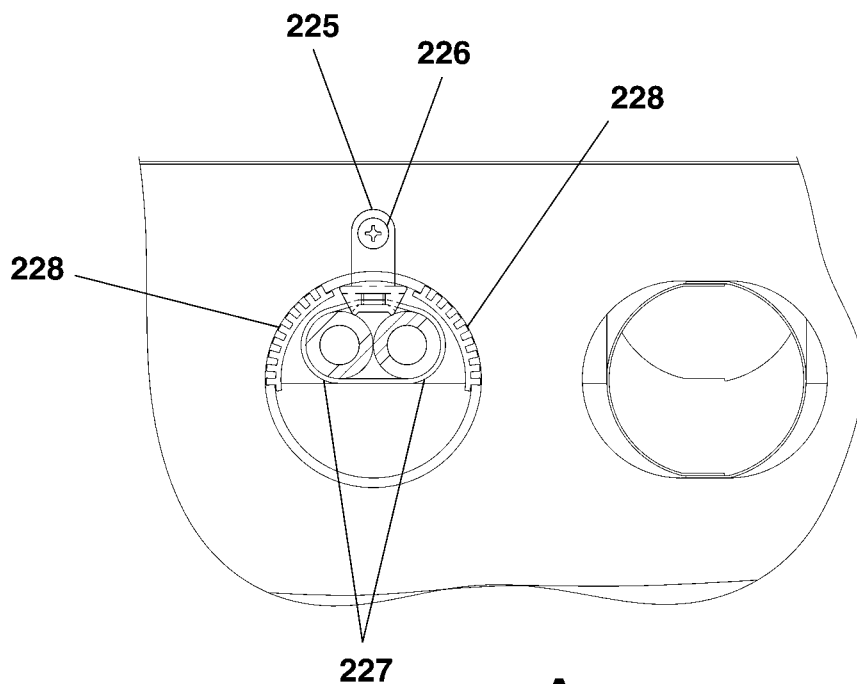
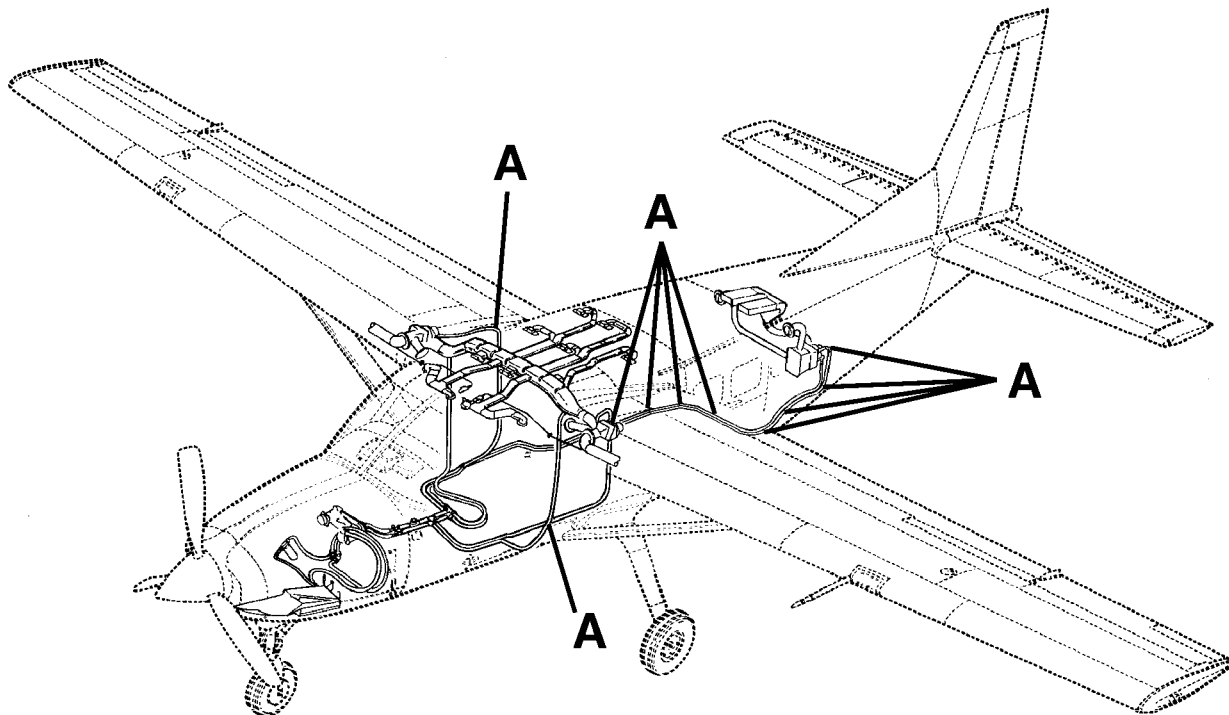
CESSNA®  
**MODEL 208**  
 ILLUSTRATED PARTS CATALOG

FIG ITEM	PART NUMBER	1 2 3 4 5 6 7	NOMENCLATURE	UNITS
				PER ASSY
01B				
150	NAS1564D12-8		. REDUCER . . . . .	01
151	AN818-12D		. NUT . . . . .	01
152	CM3687D12-12-12		. TEE . . . . .	01
153	AS5174D1208		. REDUCER . . . . .	01
154	AN824-6D		. TEE . . . . .	01
155	CM3687D06-06-06		. TEE . . . . .	01
156	CM3687D08-08-08		. TEE . . . . .	01
157	S2034-1		. MOUNT . . . . .	AR
158	S1021Z8-6		. SCREW . . . . .	AR
159	MS3367-2-9		. STRAP . . . . .	AR

- ITEM NOT ILLUSTRATED

CESSNA®  
**MODEL 208**  
ILLUSTRATED PARTS CATALOG

A104703



**DETAIL A**  
TYPICAL

AIR CONDITIONING SYSTEM  
FIGURE 01B (SHEET 4)

2614T2036  
A2614T1395

CESSNA®  
**MODEL 208**  
 ILLUSTRATED PARTS CATALOG

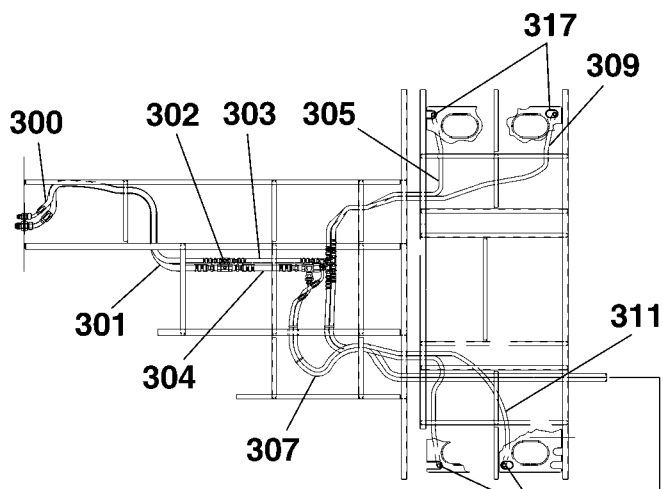
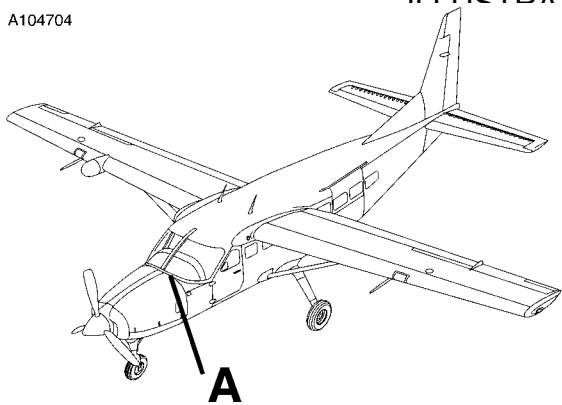
FIG ITEM	PART NUMBER	1 2 3 4 5 6 7	NOMENCLATURE	UNITS
				PER ASSY
01B				
225	S2034-1		. MOUNT . . . . .	AR
226	S1021Z8-6		. SCREW . . . . .	AR
227	MS3367-2-9		. STRAP . . . . .	AR
228	S1050-1		. GROMMET . . . . .	AR

- ITEM NOT ILLUSTRATED

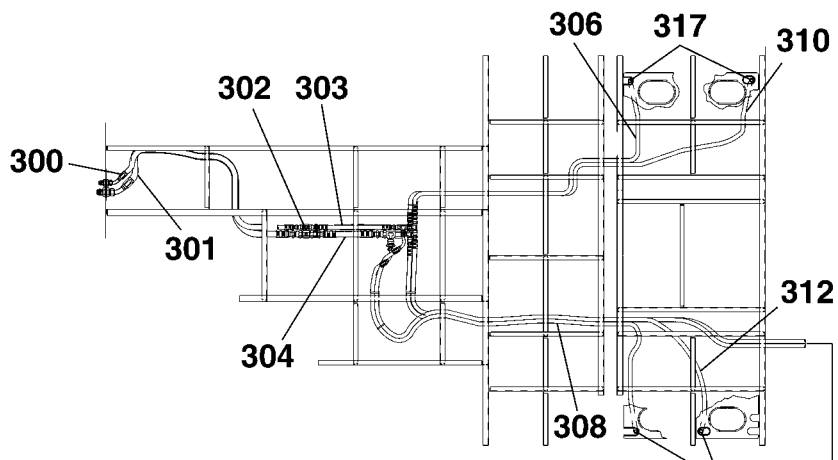
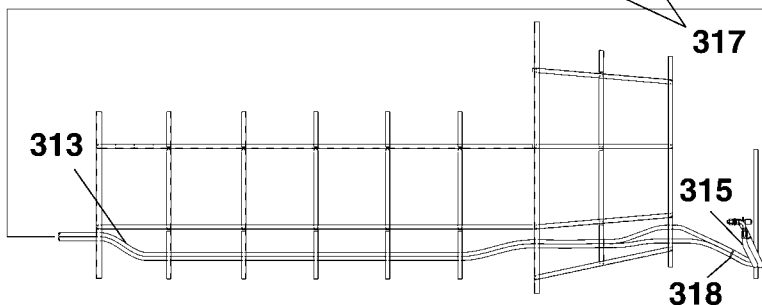


CESSNA®  
**MODEL 208**  
 ILLUSTRATED PARTS CATALOG

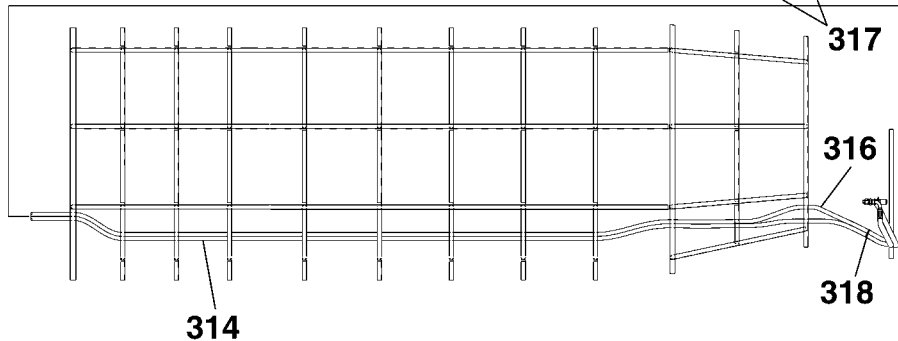
A104704



**DETAIL A**  
 208



**DETAIL A**  
 208B



AIR CONDITIONING SYSTEM  
 FIGURE 01B (SHEET 5)

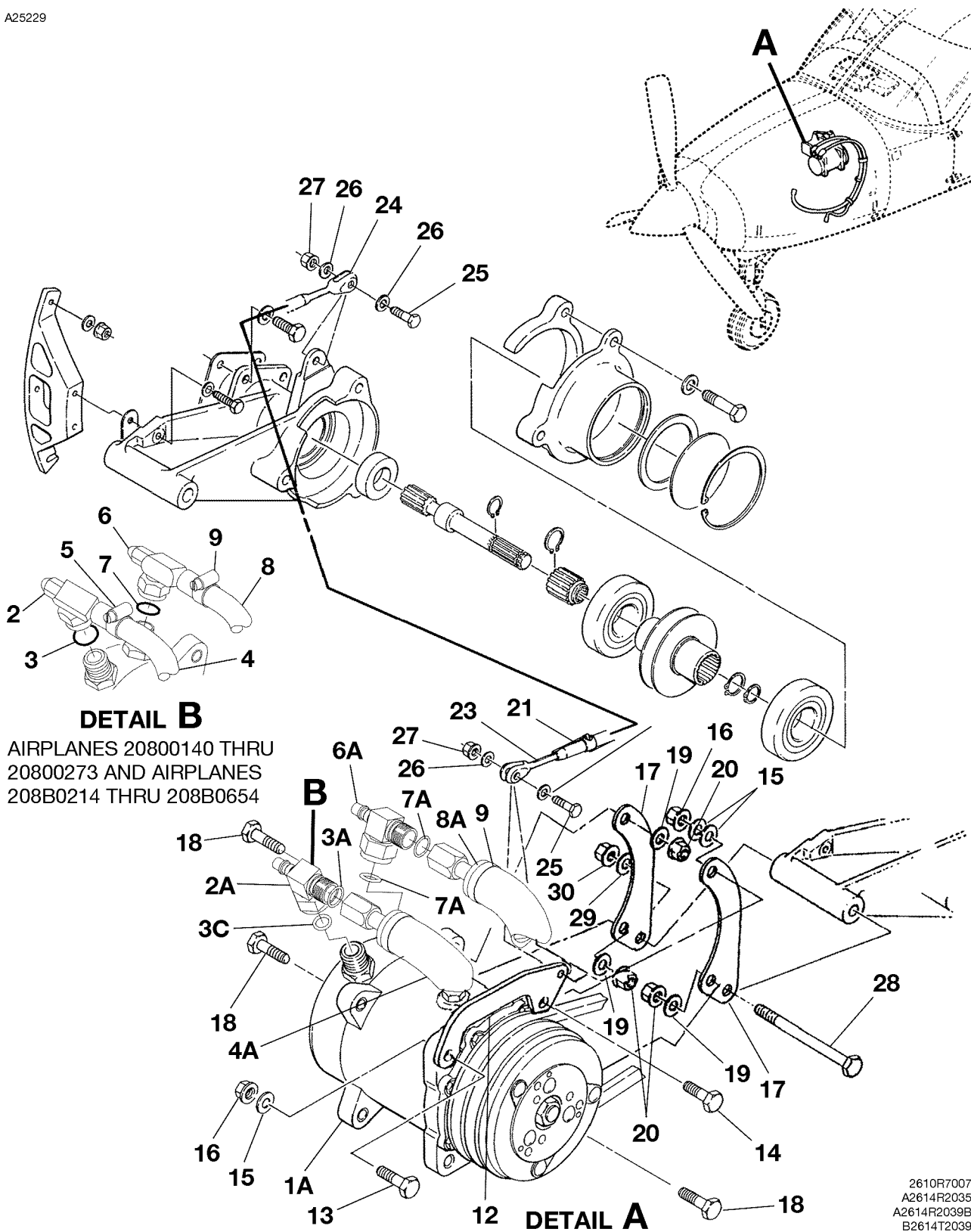
2610T7005  
 A2614T1396  
 A2614T1397

CESSNA®  
**MODEL 208**  
 ILLUSTRATED PARTS CATALOG

FIG ITEM	PART NUMBER	NOMENCLATURE	UNITS
			PER ASSY
		1 2 3 4 5 6 7	
01B			
300	AE713797-005	. HOSE ASSY-208 AND 208B . . . . .	01
301	AE713797-006	. HOSE ASSY-208 AND 208B . . . . .	01
302	S2958-12-14.5	. INSULATION TUBE-POWER SUPPLY PROTECTION . . . . .	AR
303	AE713797-023	. HOSE ASSY-208 AND 208B . . . . .	01
304	AE713797-008	. HOSE ASSY-208 AND 208B . . . . .	01
305	AE713797-010	. HOSE ASSY-208 . . . . .	01
306	AE713797-018	. HOSE ASSY-208B . . . . .	01
307	AE713797-012	. HOSE ASSY-208 . . . . .	01
308	AE713797-020	. HOSE ASSY-208B . . . . .	01
309	AE713797-025	. HOSE ASSY-208 . . . . .	01
310	AE713797-024	. HOSE ASSY-208B . . . . .	01
311	AE713797-028	. HOSE ASSY-208 . . . . .	01
312	AE713797-029	. HOSE ASSY-208B . . . . .	01
313	AE713797-027	. HOSE ASSY-208 . . . . .	01
314	AE713797-022	. HOSE ASSY-208B . . . . .	01
315	AE713797-014	. HOSE ASSY-208 . . . . .	01
316	AE713797-026	. HOSE ASSY . . . . .	01
317	S1050-1	. GROMMET . . . . .	AR
318	MS3367-2-9	. STRAP . . . . .	AR

CESSNA®  
**MODEL 208**  
 ILLUSTRATED PARTS CATALOG

A25229



**DETAIL B**  
 AIRPLANES 20800140 THRU  
 20800273 AND AIRPLANES  
 208B0214 THRU 208B0654

**DETAIL A**

AIR CONDITIONER COMPRESSOR AND DRIVE UNIT INSTALLATION  
 FIGURE 01 (SHEET 1)

2610R7007  
 A2614R2035  
 A2614R2039B  
 B2614T2039

**CESSNA®**  
**MODEL 208**  
**ILLUSTRATED PARTS CATALOG**

FIG ITEM	PART NUMBER	NOMENCLATURE	UNITS PER ASSY	
			1 2 3 4 5 6 7	
01		AIR CONDITIONER COMPRESSOR AND DRIVE UNIT INSTALLATION		
-			0140 & ON	RF
			B0214 B4999	
- 1	4764HD	. COMPRESSOR-AIR CONDITONER FSO SD5H14C4527 . . . . . V63829	0140 0273	01 R
			B0214 B0654	
1A	SD5H14C4527	. COMPRESSOR-AIR CONDITIONER (R134A) . . . . . V63829	0274 & ON	01
			B0655 & ON	
2	234-147	. VALVE- COMPRESSOR DISCHARGE . . . . . VFRIG	0140 0273	01
			B0214 B0654	
2A	2024-3	. VALVE-TUBE-O DISCHARGE 1"-14 REFER TO NOTE 3 . . . . . V0A822	0274 & ON	01
			B0655 & ON	
3	233-790	. O-RING . . . . . VFRIG	0140 0273	01
			B0214 B0654	
3A	233-751	. O-RING REFER TO NOTE 3 . . . . . VFRIG	0274 & ON	01
			B0655 & ON	
- 3B	S4055-2	. O-RING-ALT FOR 233-751 . . . . .	0274 & ON	01
			B0655 & ON	
3C	S4055-1	. O-RING . . . . . VFRIG	0274 & ON	01
			B0655 & ON	
4	R221213	. HOSE-DISCHARGE BKI 62.50 IN LG . . . . . V81300	0140 0273	01
			B0214 B0654	
4A	2601471-2	. HOSE ASSY-DISCHARGE FSO AE713797-002 . . . . . VFRIG	0274 0331	NP
			B0655 B0877	
- 4B	AE713797-002	. HOSE ASSY-DISCHARGE . . . . . V00624	0332 & ON	01
			B0878 & ON	
5	221-101	. CLAMP . . . . . VFRIG	0140 0273	02
			B0214 B0654	
6	234-148	. VALVE-COMPRESSOR SUCTION . . . . . VFRIG	0140 0273	01
			B0214 B0654	
6A	2025-3	. VALVE-TUBE-O SUCTION 1"-14 REFER TO NOTE 3 . . . . . V0A822	0274 & ON	01
			B0655 & ON	
7	233-790	. O-RING . . . . . VFRIG	0140 0273	01
			B0214 B0654	
7A	S4055-1	. O-RING . . . . . VFRIG	0274 & ON	02
			B0655 & ON	
8	R221215	. HOSE-SUCTION BKI 59.50 IN LG . . . . . V81300	0140 0273	01
			B0214 B0654	
8A	2601471-1	. HOSE ASSY-SUCTION FSO AE713797-001 . . . . .	0274 0331	NP
			B0655 B0877	
- 8B	AE713797-001	. HOSE ASSY-SUCTION . . . . . V00624	0332 & ON	01
			B0878 & ON	
9	221-101	. CLAMP . . . . . VFRIG	0140 0273	02
			B0214 B0654	
- 10	MS21919DG18	. CLAMP . . . . .		01
- 11	MS3367-1-9	. STRAP . . . . .		03
12	2601392-1	. ADJUSTER PLATE REFER TO NOTE 1 . . . . .		01
		ATTACHING PARTS		
13	AN6-13A	. BOLT . . . . .		01
14	AN6-14A	. BOLT . . . . .		01
15	NAS1149D0332K	. WASHER . . . . .		03
16	MS21042L6	. NUT . . . . .		02
		—*—		
17	2601393-1	. SUPPORT PLATE REFER TO NOTE 1 . . . . .		02
		ATTACHING PARTS		
18	AN6-12A	. BOLT . . . . .		02
19	NAS1149D0663K	. WASHER . . . . .		02
20	MS21042L6	. NUT . . . . .		02
		—*—		
21	MS21251B5S	. TURNBUCKLE BODY CLIP . . . . .		01
- 22	MS21256-2	. CLIP . . . . .		02
23	MS21252-5LL	. CLEVIS END TURNBUCKLE- LH . . . . .		01
24	MS21252-5RS	. CLEVIS END TURNBUCKLE- RH . . . . .		01
25	AN4-10A	. BOLT . . . . .		02
26	NAS1149D0463K	. WASHER . . . . .		04
27	MS21042L4	. NUT . . . . .		02
28	AN6-37A	. BOLT . . . . .		01
29	NAS1149D0663K	. WASHER . . . . .		01
30	MS21042L6	. NUT . . . . .		01
- 31	2690012-4	. DECAL R-134A REFER TO NOTE 2 . . . . .	0274 & ON	01
			B0655 & ON	

NOTE 1—WHEN INITIALLY ORDERING THIS PART ORDER SK208-66 IF YOUR AIRCRAFT HAS NOT BEEN UPDATED BY THIS KIT.

NOTE 2—AIRPLANES -0274 & ON AND -B0655 & ON AND AIRPLANES -0001 THRU -0273 AND -B0001 THRU -B0654 INCORPORATING SK208-156

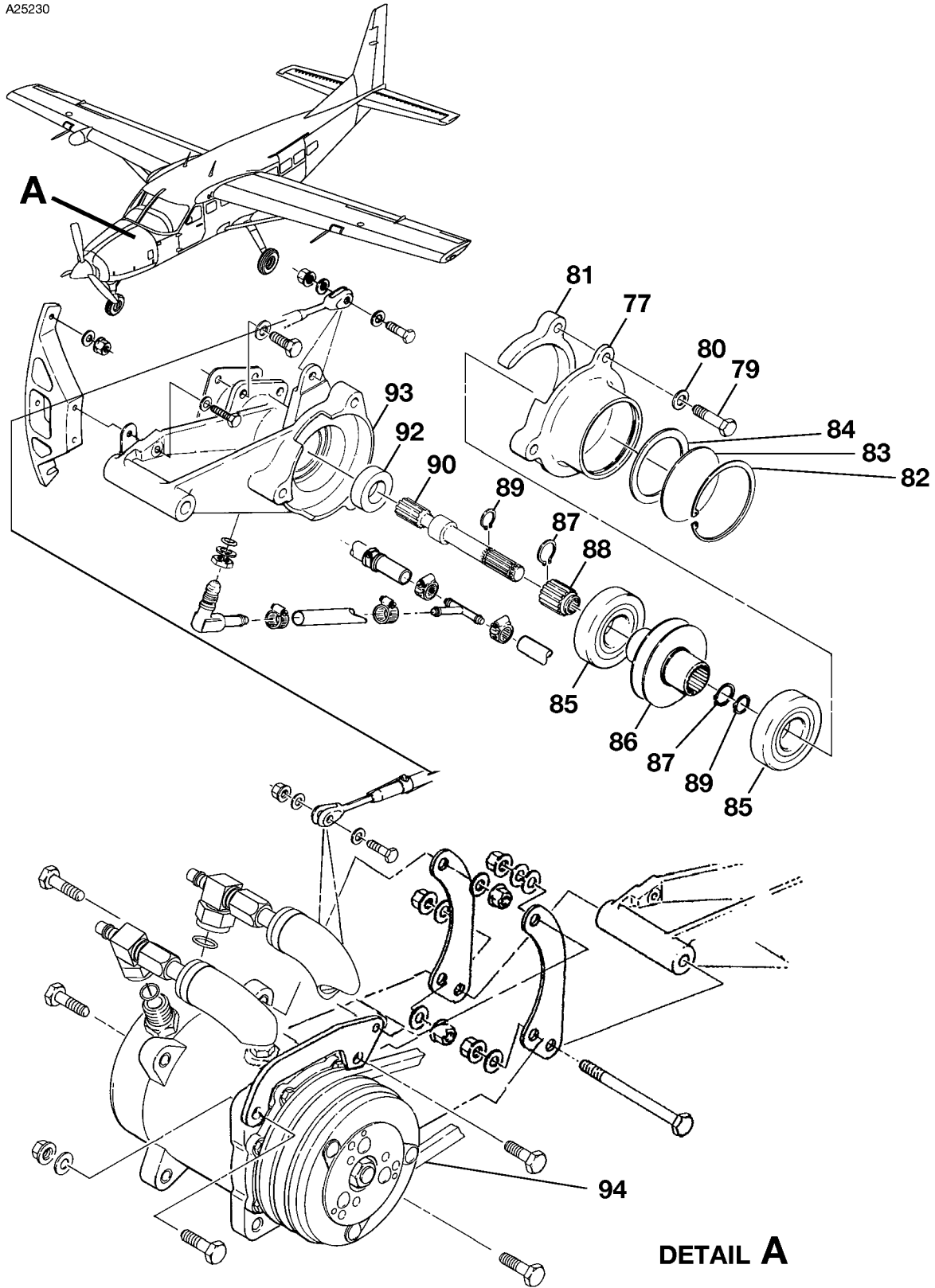
NOTE 3—AIRPLANES -0140 THRU -0415, -0417 THRU -0499 AND AIRPLANES -B0214 THRU -B1189, -B1191 THRU -B1215, AND -B1217 THRU-B1999 INCORPORATING SK208-157A.

- ITEM NOT ILLUSTRATED

CESSNA®  
MODEL 208

ILLUSTRATED PARTS CATALOG

A25230



**DETAIL A**

AIR CONDITIONER COMPRESSOR AND DRIVE UNIT INSTALLATION  
FIGURE 01 (SHEET 2)

2610T7005  
A26142039A  
A2614T1352

**CESSNA®**  
**MODEL 208**  
**ILLUSTRATED PARTS CATALOG**

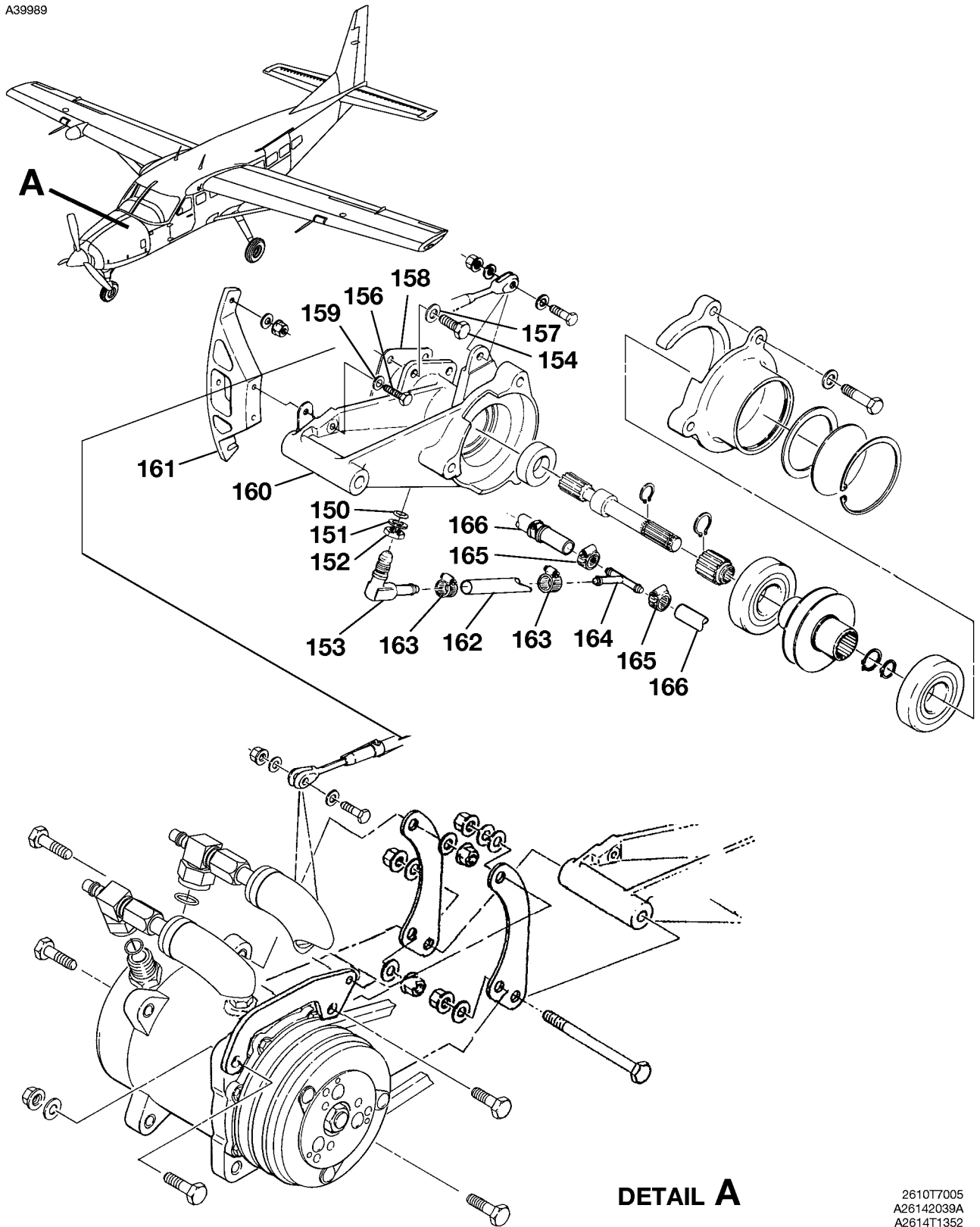
FIG ITEM	PART NUMBER	NOMENCLATURE	UNITS PER ASSY		
			1	2	3
01					
- 75	2601188-200	. COMPRESSOR DRIVE ASSY FSO 2601188-204 . . . . .	0140	0197	NP
			B0214	B0230	
- 75A	2601188-3	. COMPRESSOR DRIVE ASSY FSO 2601188-204 . . . . .	0198	0261	NP
			B0231	B0609	
- 75B	2601188-5	. COMPRESSOR DRIVE ASSY R134A FSO 2601188-204 . . . . .	0262	0381	NP
			B0610	B1081	
- 75C	2601188-7	. COMPRESSOR DRIVE ASSY R134A FSO 2601188-204 . . . . .	0382	0395	NP
			B1082	B1169	
- 75D	2601188-8	. COMPRESSOR DRIVE ASSY R134A FSO 2601188-204 . . . . .	0396	0504	NP
			B1170	B2024	
- 75E	2601188-9	. COMPRESSOR DRIVE ASSY R134A FSO 2601188-204 . . . . .	0505	& ON	NP
			B2025	& ON	
- 76	2650110-4	. COMPRESSOR DRIVE ASSY USED ON 300 AMP STARTER/GENERATOR FSO 2601188-204 . . . . .	0001	0381	NP
			B0001	B1081	
- 76A	2650110-10	. COMPRESSOR DRIVE ASSY USED ON 300 AMP STARTER/GENERATOR FSO 2601188-204 . . . . .	0382	0395	NP
			B1082	B1169	
- 76B	2601188-203	. COMPRESSOR DRIVE ASSY FSO 2601188-204 . . . . .	0140	0381	NP
			B0214	B1081	
- 76C	2601188-204	. COMPRESSOR DRIVE ASSY FOR SPARES ONLY . . . . .			01
77	2601263-2	. . CAP-COMPRESSOR DRIVE END FSO 2601263-4 . . . . .	0140	0197	NP R
			B0214	B0230	
- 78	2601263-4	. . CAP-COMPRESSOR DRIVE END FSO 2601263-6 . . . . .	0198	0261	NP
			B0231	B0609	
- 78A	2601263-6	. . CAP-COMPRESSOR DRIVE END . . . . .	0262	& ON	01
			B0610	& ON	
79	AN3-10A	. . BOLT-END CAP ATTACH . . . . .			03
80	NAS1149D0332K	. . WASHER-END CAP ATTACH . . . . .	0140	0261	03 R
			B0214	B0609	
- 80A	NAS1149D0363K	. . WASHER . . . . .	0262	& ON	03
			B0610	& ON	
81	2601263-3	. . SPACER FSO 2601263-7 . . . . .	0198	0261	NP
			B0231	B0609	
- 81A	2601263-5	. . SPACER FSO 2601263-7 . . . . .	0262	0395	NP
			B0655	B1169	
- 81B	2601263-7	. . SPACER . . . . .	0396	& ON	01
			B1170	& ON	
- 81C	2650110-5	. . SPACER USED ON 300 AMP STARTER/GENERATOR . . . . .	0140	0395	01
			B0214	B1169	
82	MS16625-4244	. . RING-RETAINING . . . . .			01
83	2601185-1	. . CLOSURE DISC-END CAP . . . . .			01
84	2601262-2	. . SHIM . . . . .			AR
85	MRC206SZZC	. . BEARING . . . . .			02
					V38443
86	2601186-2	. . PULLEY-COMPRESSOR DRIVE . . . . .			01
87	MS16624-4067	. . RING-RETAINING PULLEY ATTACH ALT FOR MS16624-4066 . . . . .			02
- 87A	MS16624-4066	. . RING-RETAINING PULLEY ATTACH ALT FOR MS16624-4067 . . . . .			02
88	2601268-1	. . SPLINED COUPLING . . . . .			01
89	MS16624-4055	. . RING-RETAINING PULLEY ATTACH . . . . .			02
90	2601267-1	. . DRIVE SHAFT-COMPRESSOR FSO 2601267-2 . . . . .	0140	0143	01
- 91	2601267-2	. . DRIVE SHAFT-COMPRESSOR . . . . .	0144	& ON	01
					V73680
92	21158-0141	. . SEAL-DRIVE SHAFT . . . . .			01
93	2601189-1	. . SUPPORT ASSY-COMPRESSOR DRIVE FSO 2601189-11 . . . . .	0140	0261	NP
			B0214	B0609	
- 93A	2601189-5	. . SUPPORT ASSY-COMPRESSOR DRIVE FSO 2601189-11 . . . . .	0262	0381	NP
			B0610	B1081	
- 93B	2601189-7	. . SUPPORT ASSY-COMPRESSOR DRIVE FSO 2601189-11 . . . . .	0382	0395	NP
			B1082	B1169	
- 93C	2601189-9	. . SUPPORT ASSY-COMPRESSOR DRIVE FSO 2601189-11 . . . . .	0396	0504	NP
			B1170	B2024	
- 93D	2601189-11	. . SUPPORT ASSY-COMPRESSOR DRIVE . . . . .	0505	& ON	01
			B2025	& ON	
- 93E	2650110-3	. . SUPPORT ASSY-COMPRESSOR DRIVE USED ON 300 AMP STARTER/GENERATOR FSO 2650189-11 . . . . .	0140	0381	NP
			B0214	B1081	
- 93F	2650110-9	. . SUPPORT ASSY-COMPRESSOR DRIVE USED ON 300 AMP STARTER/GENERATOR FSO 2650189-11 . . . . .	0382	0395	NP
			B1082	B1169	
94	8129-0010	. . V-BELT-AIR CONDITIONER COMPRESSOR FSO 46-4686-1 . . . . .	0140	0381	NP
					V24161
- 94A	46-4686	. . V-BELT-AIR CONDITIONER COMPRESSOR FSO 46-4686-1 . . . . .	0382	0609	01 R
			B1082	& ON	
- 94B	46-4686-1	. . V-BELT-AIR CONDITIONER COMPRESSOR . . . . .	0610	& ON	01
					V20796

- ITEM NOT ILLUSTRATED

CESSNA®  
MODEL 208

ILLUSTRATED PARTS CATALOG

A39989



**DETAIL A**

2610T7005  
A26142039A  
A2614T1352

AIR CONDITIONER COMPRESSOR AND DRIVE UNIT INSTALLATION  
FIGURE 01 (SHEET 3)

CESSNA®  
**MODEL 208**  
 ILLUSTRATED PARTS CATALOG

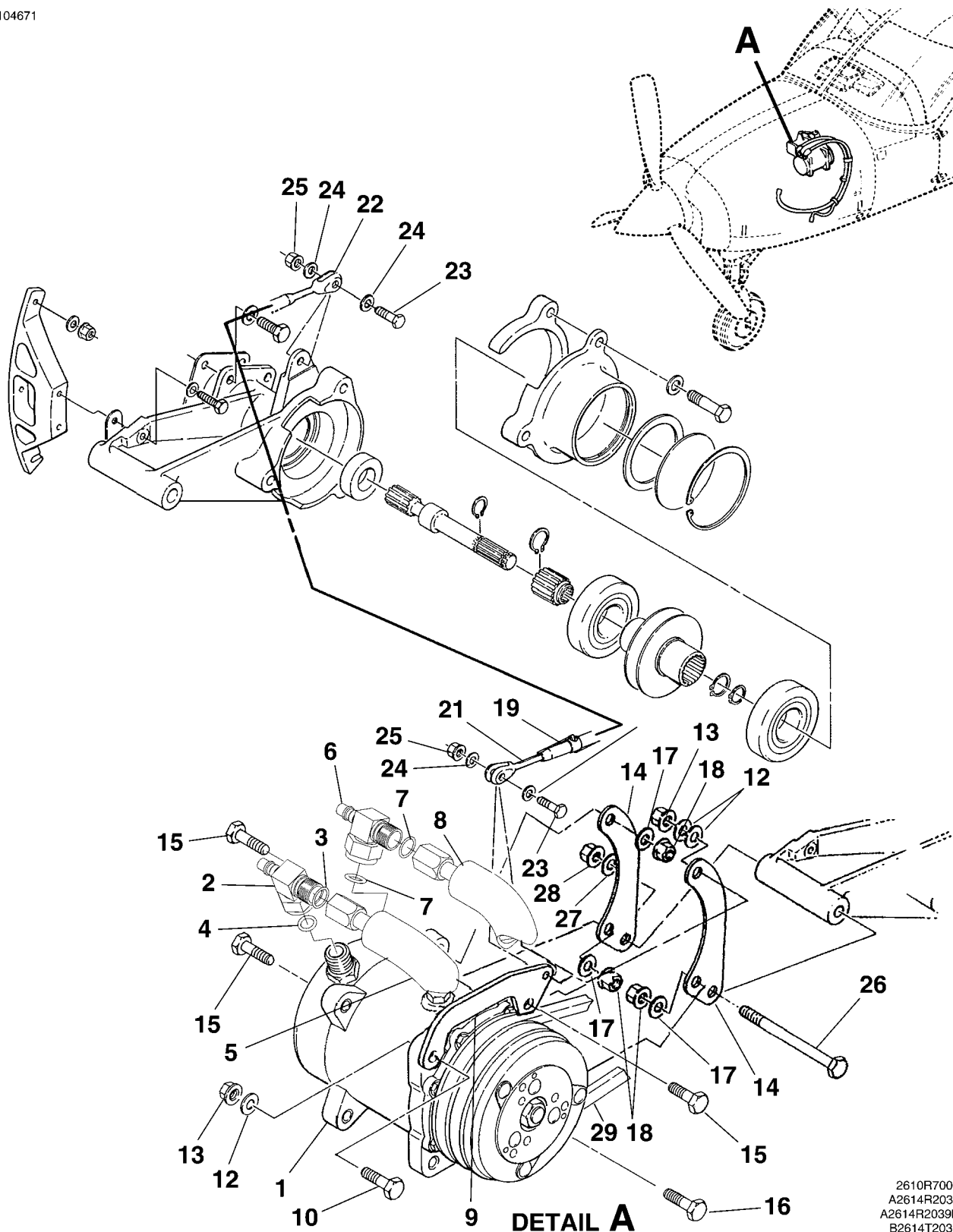
FIG ITEM	PART NUMBER	NOMENCLATURE	UNITS PER ASSY		
			1	2	3
01					
150	M83248/2-904	. O-RING . . . . .			01
151	MS28773-04	. RETAINER . . . . .			01
152	AN6289D4	. NUT . . . . .			01
153	AN839-4D	. ELBOW . . . . .	0140	0143	01
- 153A	AN838-4D	. ELBOW . . . . .	0144	& ON	01
			B0214	& ON	
154	AN4H6A	. BOLT . . . . .			03
- 154A	AN4H7A	. BOLT REFER TO NOTE 1 . . . . .	0140	0381	03
			B0214	B1081	
- 155	AN4H7A	. BOLT . . . . .			01
- 155A	AN4H10A	. BOLT REFER TO NOTE 1 . . . . .	0140	0381	01
			B0214	B1081	
156	AN3-10A	. BOLT . . . . .			02
- 156A	AN3-11A	. BOLT REFER TO NOTE 1 . . . . .	0140	0381	02
			B0214	B1081	
157	NAS1149D0463K	. WASHER . . . . .			01
158	S3346-1	. GASKET . . . . .			01
- 158A	S3346-1	. GASKET REFER TO NOTE 1 . . . . .	0140	0381	02
			B0214	B1081	
159	NAS1149D0332K	. WASHER . . . . .			02
160	2601262-1	. SHIM . . . . .			AR
- 160A	2601262-3	. SHIM REFER TO NOTE 1 . . . . .			01
161	2601264-1	. SUPPORT ASSY . . . . .			01
162	S2554-4	. HOSE BKI 24.00 IN LG COMPRESSOR DRIVE UNIT DRAIN ATTACHING PARTS			01
163	S2357-1	. CLAMP . . . . .			02
		_*			
164	S1793-1	. TEE . . . . .			01
165	S2357-1	. CLAMP . . . . .			02
166		. HOSE-STARTER GENERATOR DRAIN REFER TO 71-70-00 FIGURE 01 . . . . .			RF

NOTE 1—AIRPLANES -0140 THRU -0381 AND -B0214 THRU -B1081 INCORPORATING CAB04-8



CESSNA®  
MODEL 208  
ILLUSTRATED PARTS CATALOG

A104671



AIR CONDITIONER COMPRESSOR AND DRIVE UNIT INSTALLATION  
FIGURE 01A (SHEET 1)

**CESSNA®**  
**MODEL 208**  
**ILLUSTRATED PARTS CATALOG**

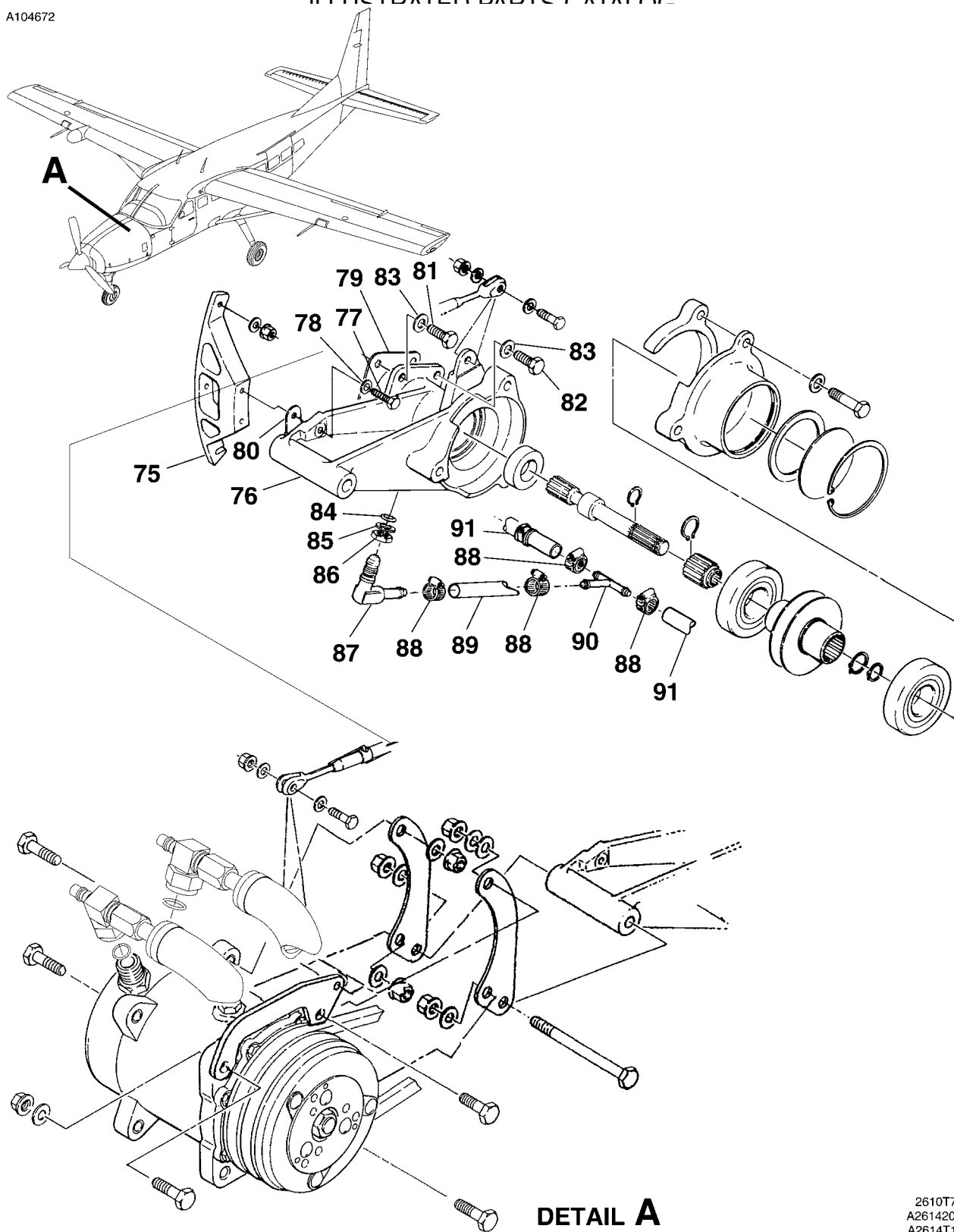
FIG ITEM	PART NUMBER	NOMENCLATURE	UNITS
			PER ASSY
		1 2 3 4 5 6 7	
01A		AIR CONDITIONER COMPRESSOR AND DRIVE UNIT INSTALLATION REFER	RF
-		TO NOTE 1 AND NOTE 2	
1	SD5H14C6667	. COMPRESSOR-AIR CONDITIONER (R134A) ALT FOR SD5H14C4527 AND V63829 SD5H14S6667	01
- 1A	SD5H14S6667	. COMPRESSOR-AIR CONDITIONER (R134A) ALT FOR SD5H14C4527 AND V63829 SD5H14C6667	01
- 1B	SD5H14C4527	. COMPRESSOR-AIR CONDITIONER (R134A) ALT FOR SD5H14C6667 AND V63829 SD5H14S6667	01
2	2024-3	. VALVE-TUBE-O DISCHARGE 1"-14	V0A822 01
3	S4055-2	. O-RING	01
4	S4055-1	. O-RING	VFRIG 01
5	AE713797-002	. HOSE ASSY-DISCHARGE	V00624 01
6	2025-3	. VALVE-TUBE-O SUCTION 1"-14	V0A822 01
7	S4055-1	. O-RING	VFRIG 02
8	AE713797-001	. HOSE ASSY-SUCTION	V00624 01
9	2601392-1	. ADJUSTER PLATE ATTACHING PARTS	01
10	AN6-13A	. BOLT	01
- 11		. DELETED-NOT USED	
12	NAS1149D0332K	. WASHER	03
13	MS21042L6	. NUT	02
		—*—	
14	2601393-1	. SUPPORT PLATE ATTACHING PARTS	02
15	AN6-14A	. BOLT	01
16	AN6-12A	. BOLT	03
17	NAS1149D0663K	. WASHER	02
18	MS21042L6	. NUT	02
		—*—	
19	MS21251B5S	. TURNBUCKLE BODY CLIP	01
- 20	MS21256-2	. CLIP	02
21	MS21252-5LL	. CLEVIS END TURNBUCKLE-LH	01
22	MS21252-5RS	. CLEVIS END TURNBUCKLE-RH	01
23	AN4-10A	. BOLT	02
24	NAS1149D0463K	. WASHER	04
25	MS21042L4	. NUT	02
26	AN6-37A	. BOLT	01
27	NAS1149D0663K	. WASHER	01
28	MS21042L6	. NUT	01
29	46-4686	. V-BELT FSO 46-4686-1	NP R
- 29A	46-4686-1	. V-BELT	01 R

NOTE 1—AIRPLANES -0500 AND ON AND AIRPLANES -B2000 THRU -B4999 INCORPORATING CAB-21-03.

NOTE 2—AIRPLANES -B5000 AND ON INCORPORATING CAB-21-04.

CESSNA®  
MODEL 208  
ILLUSTRATED PARTS CATALOG

A104672



AIR CONDITIONER COMPRESSOR AND DRIVE UNIT INSTALLATION  
FIGURE 01A (SHEET 2)

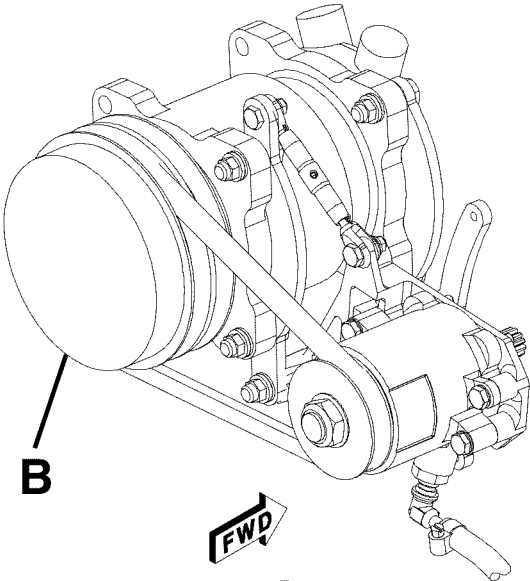
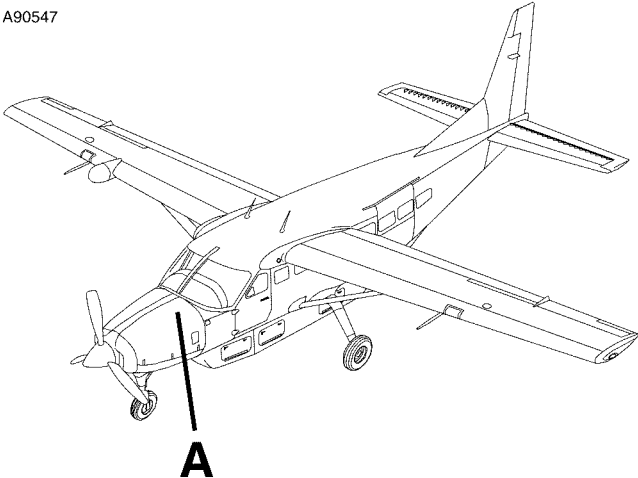
2610T7005  
A26142039A  
A2614T1352

CESSNA®  
**MODEL 208**  
 ILLUSTRATED PARTS CATALOG

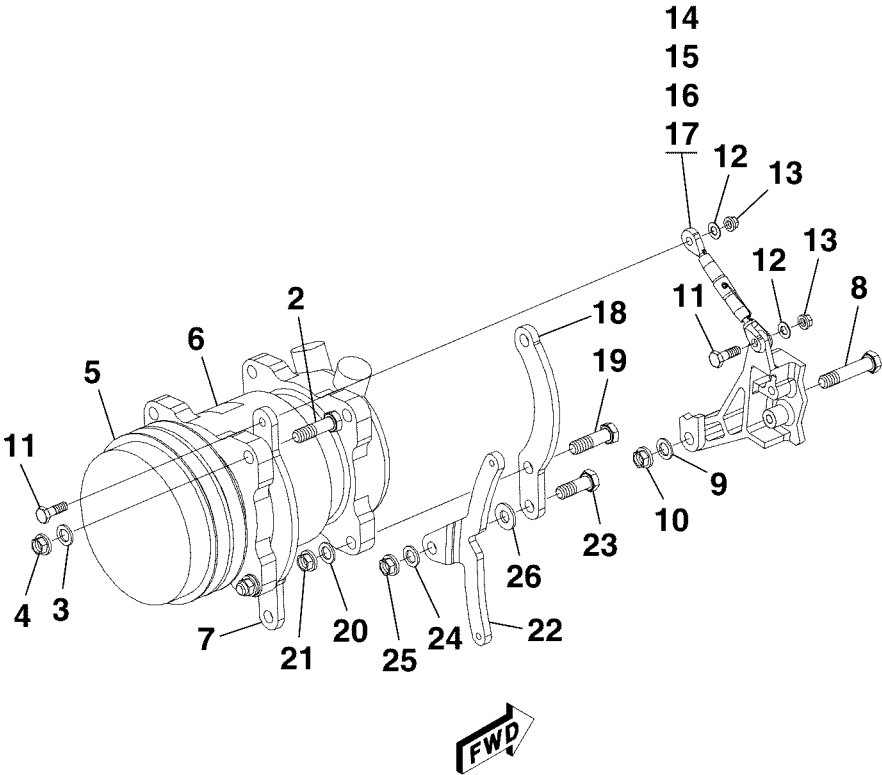
FIG ITEM	PART NUMBER	NOMENCLATURE	UNITS
			PER ASSY
		1 2 3 4 5 6 7	
01A			
75	2601264-1	. SUPPORT ASSY . . . . .	01
76	2601188-204	. COMPRESSOR DRIVE ASSY . . . . . ATTACHING PARTS	01
77	AN3-11A	. BOLT . . . . .	02
78	NAS1149D0332K	. WASHER . . . . . —*—	02
79	S3346-1	. GASKET . . . . .	01
80	2601262-1	. SHIM . . . . .	AR
81	AN4H7A	. BOLT . . . . .	03
82	AN4H6A	. BOLT . . . . .	03
83	NAS1149D0463K	. WASHER . . . . .	04
84	M83248/2-904	. O-RING . . . . .	01
85	MS28773-04	. RETAINER . . . . .	01
86	AN6289D4	. NUT . . . . .	01
87	AN838-4D	. ELBOW . . . . .	01
88	S2357-1	. CLAMP . . . . .	02
89	S2554-4-24.50	. HOSE . . . . .	01
90	S1793-1	. TEE . . . . .	01
91		. HOSE-STARTER GENERATOR DRAIN REFER TO 71-70-00 FIGURE 01 . . . .	RF

CESSNA®  
**MODEL 208**  
ILLUSTRATED PARTS CATALOG

A90547



**DETAIL A**



**DETAIL B**

AIR CONDITIONER COMPRESSOR AND DRIVE UNIT INSTALLATION  
FIGURE 02 (SHEET 1)

2610T7004  
A2614T1488  
B2614T1488

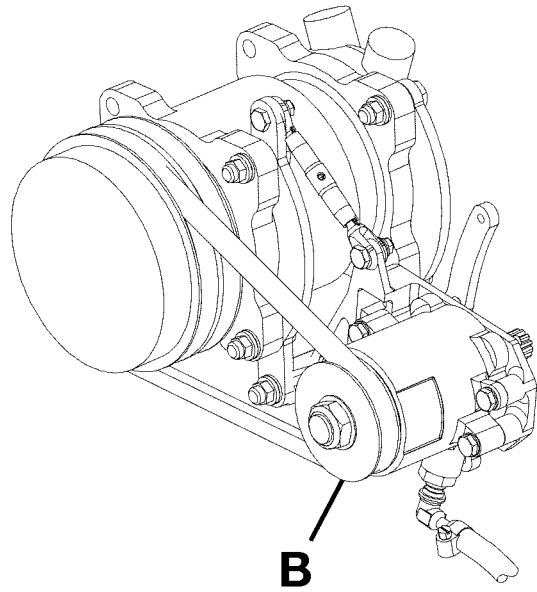
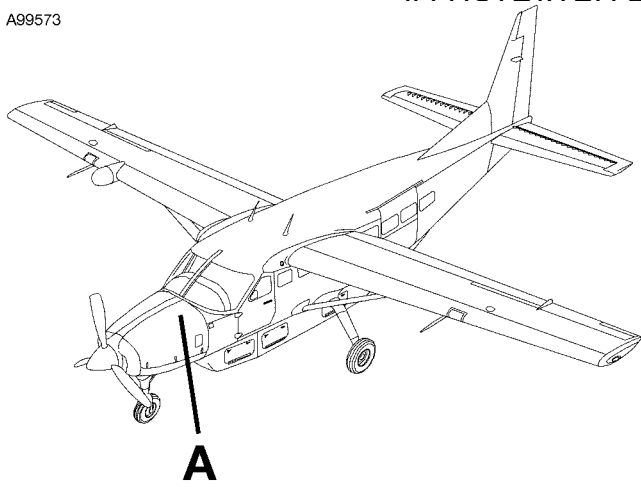
**CESSNA®**  
**MODEL 208**  
**ILLUSTRATED PARTS CATALOG**

FIG ITEM	PART NUMBER	NOMENCLATURE	UNITS	
			PER	ASSY
02		AIR CONDITIONER COMPRESSOR AND DRIVE UNIT INSTALLATION	B5000	& ON RF
- 1	2601568-1	. COMPRESSOR ASSEMBLY . . . . . V63829		01
		. ATTACHING PARTS		
	2 AN6C12A	. BOLT . . . . .		02
	3 NAS1149C0663R	. WASHER . . . . .		02
	4 MS21042L6	. NUT . . . . .		02
- 4A	NAS1291-6	. NUT-ALT FOR MS21042L6 . . . . .		06
		. *—		
	5 4292U1	. SANDEN COMPRESSOR . . . . . V63829		01
	6 2605083-1	. NAMEPLATE-AIR CONDITIONER . . . . .		01
	7 2601566-9	. SUPPORT-TENSIONER . . . . .		01
		. ATTACHING PARTS		
	8 AN6C16A	. BOLT . . . . .		01
	9 NAS1149C0663R	. WASHER . . . . .		02
	10 MS21042L6	. NUT . . . . .		02
	11 AN4C6A	. BOLT . . . . .		03
	12 NAS1149C0432R	. WASHER . . . . .		02
	13 MS21042L4	. NUT . . . . .		02
- 13A	NAS1291-4	. NUT-ALT FOR MS21042L4 . . . . .		02
		. *—		
	14 MS21254-5LS	. EYE END TURNBUCKLE REFER TO NOTE 1 . . . . .	B5000	& ON 01
- 14A	MS21254-5LL	. EYE END TURNBUCKLE REFER TO NOTE 1 . . . . .	B5089	B5110 01
	15 MS21251B5S	. CLEVIS END TURNBUCKLE . . . . .		01
	16 MS21256-1	. CLIP . . . . .		02
	17 MS21252-5RS	. CLEVIS END TURNBUCKLE . . . . .		01
	18 2601566-8	. SUPPORT . . . . .		01
	19 AN6C12A	. BOLT SUPPORT ATTACH . . . . .		02
	20 NAS1149C0663R	. WASHER SUPPORT ATTACH . . . . .		02
	21 MS21042L6	. NUT SUPPORT ATTACH . . . . .		02
	22 2601566-19	. COMPRESSOR MOUNT-FWD . . . . .	B5000	B5604 01 R
- 22A	2601566-25	. COMPRESSOR MOUNT-FWD . . . . .	B5605	& ON 01 R
	23 AN6C10A	. BOLT MOUNT ATTACH . . . . .		01
	24 NAS1149C0663R	. WASHER MOUNT ATTACH . . . . .		02
	25 MS21042L6	. NUT MOUNT ATTACH . . . . .		02
	26 2601566-12	. SHIM MOUNT ATTACH . . . . .		AR

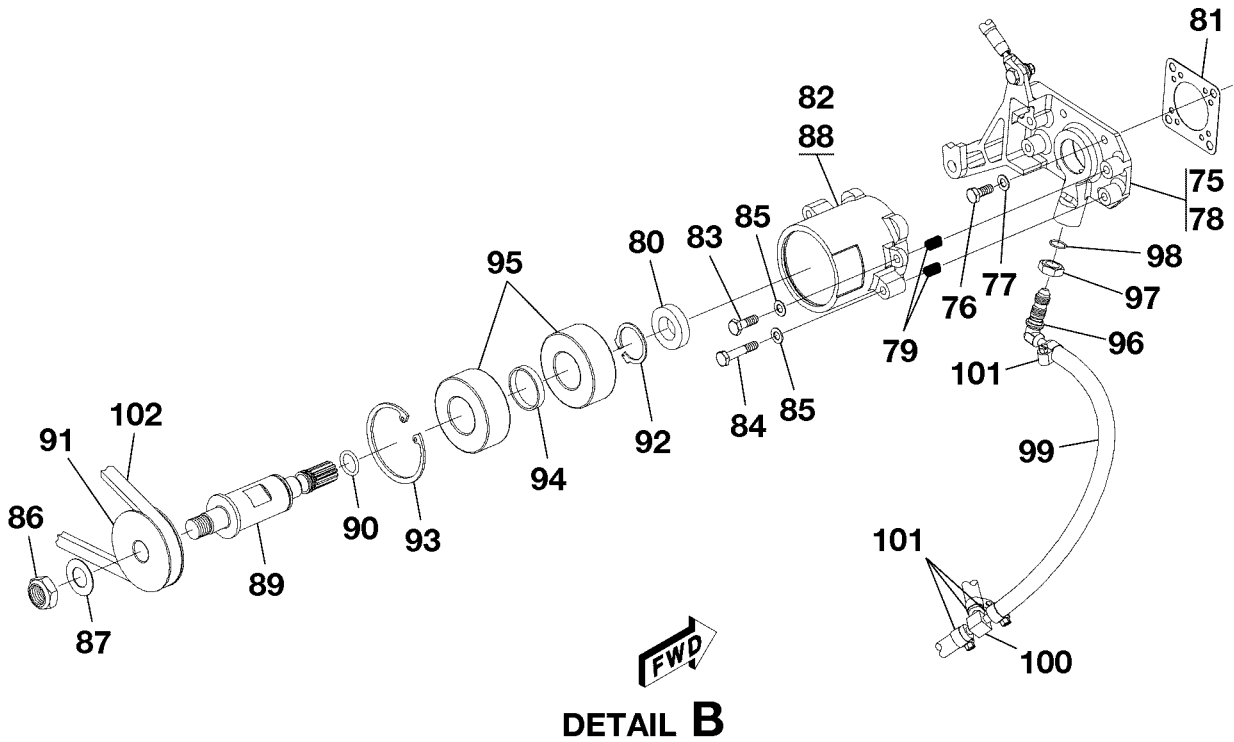
NOTE 1—IF INSTALLING V-BELT P/N F8263 WITH V-BELT P/N 46-4686 YOU MUST ALSO ORDER AND INSTALL ITEM 14A MS21254-5LL EYE END TURNBUCKLE TO COMPENSATE FOR THE LENGTH DIFFERENCES BETWEEN THE BELTS.

CESSNA®  
MODEL 208  
ILLUSTRATED PARTS CATALOG

A99573



**FWD**  
**DETAIL A**



AIR CONDITIONER COMPRESSOR AND DRIVE UNIT INSTALLATION  
FIGURE 02 (SHEET 2)

2610T7004  
A2614T1488  
B2614T1488

**CESSNA®**  
**MODEL 208**  
**ILLUSTRATED PARTS CATALOG**

FIG ITEM	PART NUMBER	NOMENCLATURE	UNITS		
			PER	ASSY	
02					
75	2601566-15	. COMPRESSOR MOUNT ASSEMBLY FSO 2601566-24 REFER TO NOTE 1 . . .	B5000	B5169	NP
- 75A	2601566-24	. COMPRESSOR MOUNT ASSEMBLY . . . . .	B5170	& ON	01
		ATTACHING PARTS			
76	AN4C5A	. BOLT . . . . .			04
77	NAS1149C0432R	. WASHER . . . . .			04
		—*—			
78	2601566-16	. COMPRESSOR MOUNT . . . . .			01
79	MS21209C4-20	. INSERT . . . . .			04
80	21158-0141	. SEAL . . . . .	V73680	B5000	B5169 01
- 80A	21158-0213	. SEAL . . . . .	V73680	B5170	& ON 01
81	S3346-1	. GASKET . . . . .			01
82	2601566-17	. COMPRESSOR DRIVE ASSEMBLY FSO 2601566-22 REFER TO NOTE 2 . .	B5000	B5090	NP
- 82A	2601566-20	. COMPRESSOR DRIVE ASSEMBLY FSO 2601566-22 REFER TO NOTE 2 . .	B5091	B5169	NP
- 82B	2601566-22	. COMPRESSOR DRIVE ASSEMBLY . . . . .	B5170	& ON	01
		ATTACHING PARTS			
83	AN4C6A	. BOLT . . . . .			01
84	AN4C12A	. BOLT . . . . .			03
85	NAS1149C0432R	. WASHER . . . . .			04
		—*—			
86	MS21083C10	. NUT . . . . .	B5000	B5090	01
87	NAS1149C1032R	. WASHER . . . . .	B5000	B5090	01
88	2601566-6	. BEARING HOUSING . . . . .			01
89	2601566-18	. DRIVE SHAFT FSO 2601566-23 REFER TO NOTE 3 . . . . .	B5000	B5090	NP
- 89A	2601566-21	. DRIVE SHAFT FSO 2601566-23 REFER TO NOTE 2 . . . . .	B5091	B5169	NP
- 89B	2601566-23	. DRIVE SHAFT . . . . .	B5170	& ON	01
90	AS3582-114	. O-RING . . . . .			01
91	2601566-5	. PULLEY . . . . .	B5000	B5090	01
92	MS16625-4244	. RING . . . . .			01
93	MS16624-4112	. RETAINER RING . . . . .			01
94	2601566-7	. SPACER . . . . .			01
95	MRC206SZZC	. BEARING . . . . .	V38443		01
96	AN838-4D	. ELBOW . . . . .			01
97	AN924-4D	. NUT . . . . .			01
98	MS29512-04	. O-RING . . . . .	V81343		01
99	S2548-4-12.00	. HOSE . . . . .			01
100	S3017-4-4-4	. TEE . . . . .			01
101	S2357-1	. CLAMP . . . . .			04
102	F8263	. V-BELT . . . . .	V1DY25		01

NOTE 1—REPLACEABLE ONLY WHEN 2601566-23 SHAFT IS INSTALLED.

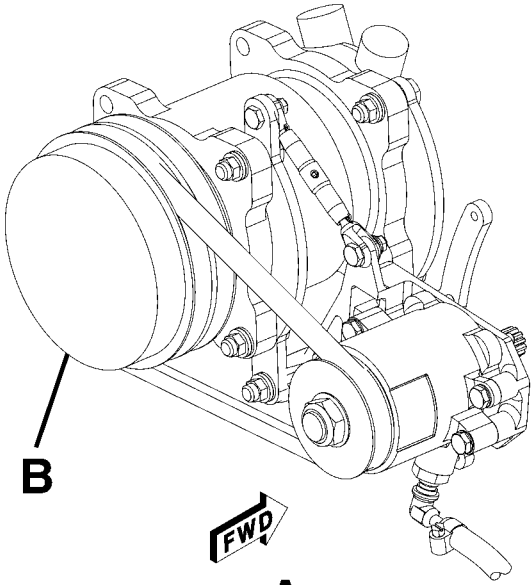
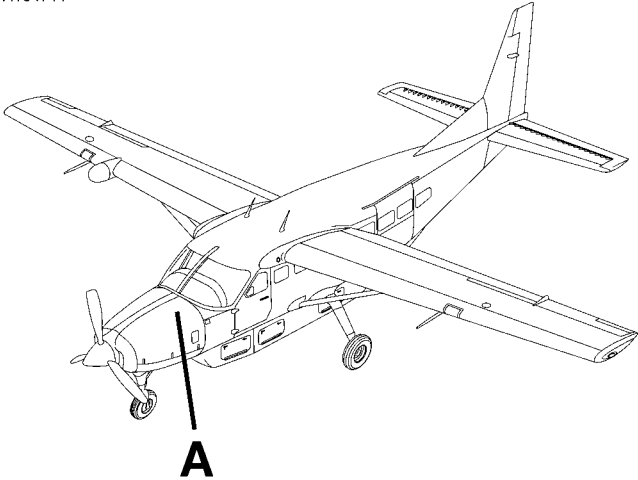
NOTE 2—REPLACEABLE ONLY WHEN 2601566-24 MOUNT IS INSTALLED OR 21158-0141 SEAL IS REMOVED FROM 2601566-15 MOUNT AND REPLACED WITH 21158-0213.

NOTE 3—REPLACEABLE ONLY WHEN 2601566-24 MOUNT IS INSTALLED OR 21158-0141 SEAL IS REMOVED FROM 2601566-15 MOUNT AND REPLACED WITH 21158-0213. 2601566-23 ALSO ELIMINATES 2601566-5 PULLEY, NAS1149C1032R WASHER, AND MS21083C10 NUT FROM 2601566-17 ASSEMBLY.

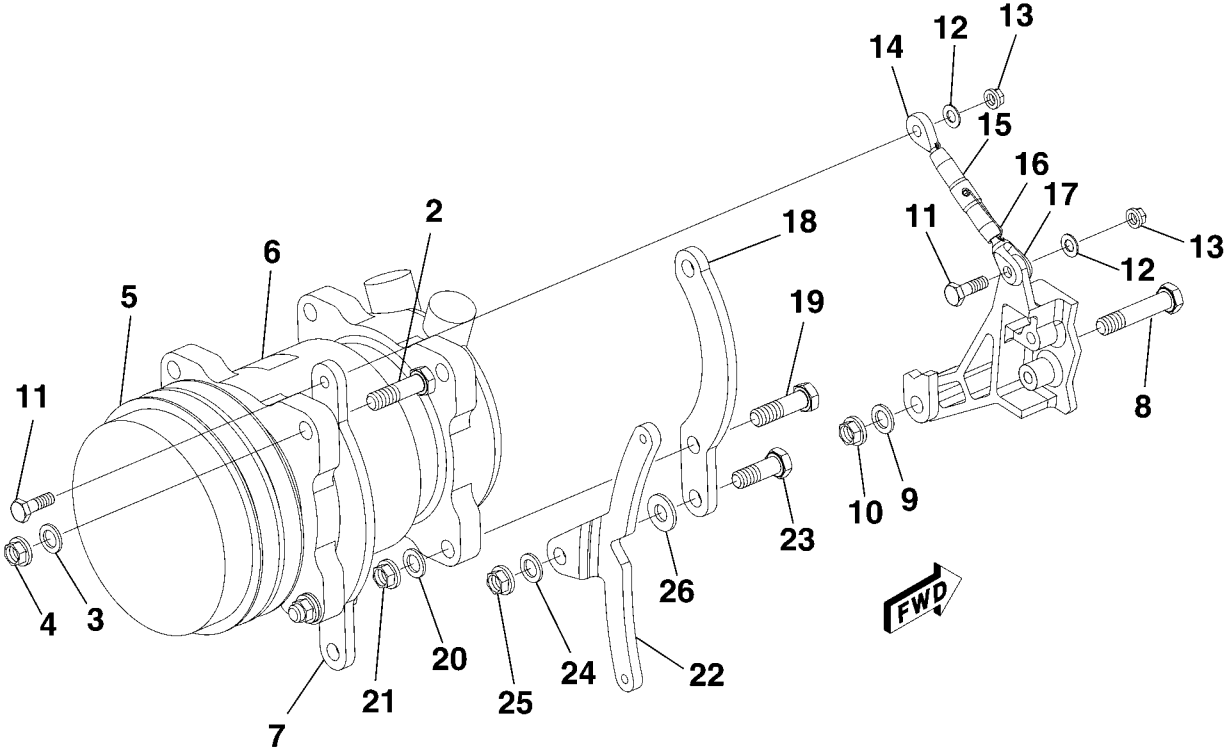


CESSNA®  
**MODEL 208**  
ILLUSTRATED PARTS CATALOG

A104711



**DETAIL A**



**DETAIL B**

2610T7004  
A2614T1488  
B2614T1488

AIR CONDITIONER COMPRESSOR AND DRIVE UNIT INSTALLATION  
FIGURE 02A (SHEET 1)

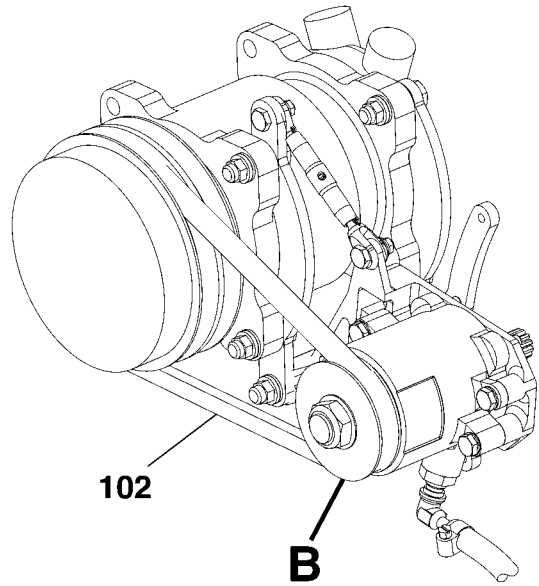
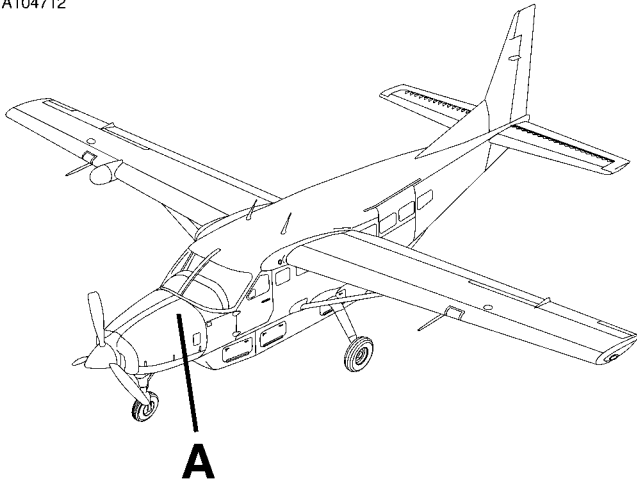
**CESSNA®**  
**MODEL 208**  
**ILLUSTRATED PARTS CATALOG**

FIG ITEM	PART NUMBER	NOMENCLATURE	UNITS	
			PER	ASSY
		1 2 3 4 5 6 7		
02A		AIR CONDITIONER COMPRESSOR AND DRIVE UNIT INSTALLATION REFER	B5000	& ON RF
-		TO NOTE 1		
- 1	2601568-1	. COMPRESSOR ASSEMBLY . . . . . V63829		01
		. ATTACHING PARTS		
	2 AN6C12A	. BOLT . . . . .		02
	3 NAS1149C0663R	. WASHER . . . . .		02
	4 MS21042L6	. NUT . . . . .		02
- 4A	NAS1291-6	. NUT-ALT FOR MS21042L6 . . . . .		06
		—*—		
	5 4292U1	. SANDEN COMPRESSOR . . . . . V63829		01
	6 2605083-1	. NAMEPLATE-AIR CONDITIONER . . . . .		01
	7 2601566-9	. SUPPORT-TENSIONER . . . . .		01
		. ATTACHING PARTS		
	8 AN6C16A	. BOLT . . . . .		01
	9 NAS1149C0663R	. WASHER . . . . .		02
	10 MS21042L6	. NUT . . . . .		02
	11 AN4C6A	. BOLT . . . . .		03
	12 NAS1149C0432R	. WASHER . . . . .		02
	13 MS21042L4	. NUT . . . . .		02
- 13A	NAS1291-4	. NUT-ALT FOR MS21042L4 . . . . .		02
		—*—		
	14 MS21254-5LL	. EYE END TURNBUCKLE REFER TO NOTE 1 . . . . .		01
	15 MS21251B5S	. TURNBUCKLE BODY-LOCKING . . . . .		01
	16 MS21256-1	. CLIP . . . . .		02
	17 MS21252-5RS	. CLEVIS END TURNBUCKLE . . . . .		01
	18 2601566-8	. SUPPORT . . . . .		01
	19 AN6C12A	. BOLT SUPPORT ATTACH . . . . .		01
	20 NAS1149C0663R	. WASHER SUPPORT ATTACH . . . . .		01
	21 MS21042L6	. NUT SUPPORT ATTACH . . . . .		01
	22 2601566-19	. COMPRESSOR MOUNT-FWD . . . . .	B5000 B5604	01 R
- 22A	2601566-25	. COMPRESSOR MOUNT-FWD . . . . .	B5605 & ON	01 R
	23 AN6C10A	. BOLT MOUNT ATTACH . . . . .		01
	24 NAS1149C0663R	. WASHER MOUNT ATTACH . . . . .		02
	25 MS21042L6	. NUT MOUNT ATTACH . . . . .		02
	26 2601566-12	. SHIM MOUNT ATTACH . . . . .		AR

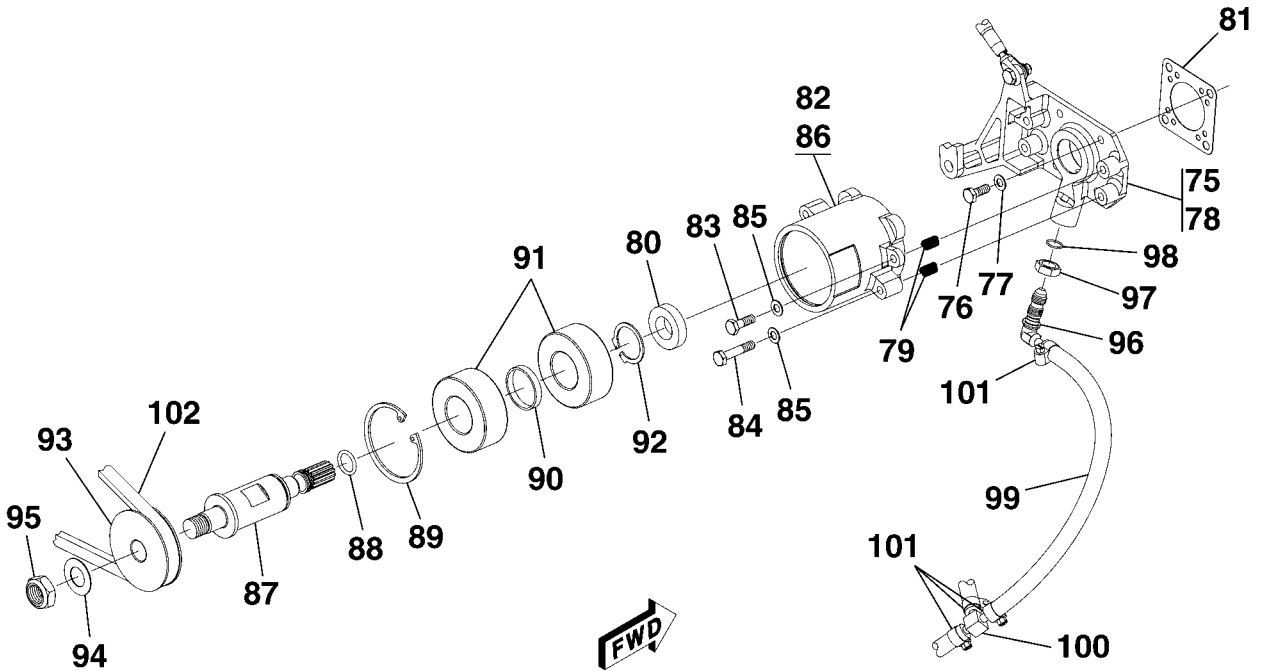
NOTE 1—AIRPLANES -B5000 AND ON INCORPORATING CAB-21-04.

CESSNA®  
**MODEL 208**  
 ILLUSTRATED PARTS CATALOG

A104712



**DETAIL A**



**DETAIL B**

2610T7004  
 A2614T1488  
 B2614T1488

AIR CONDITIONER COMPRESSOR AND DRIVE UNIT INSTALLATION  
 FIGURE 02A (SHEET 2)

**CESSNA®**  
**MODEL 208**  
**ILLUSTRATED PARTS CATALOG**

FIG ITEM	PART NUMBER	NOMENCLATURE	UNITS		
			PER ASSY		
02A					
75	2601566-15	. COMPRESSOR MOUNT ASSEMBLY FSO 2601566-24 REFER TO NOTE 1 . . . . .	B5000	B5169	NP
- 75A	2601566-24	. COMPRESSOR MOUNT ASSEMBLY . . . . .	B5170	& ON	01
		ATTACHING PARTS			
76	AN4C5A	. BOLT . . . . .			04
77	NAS1149C0432R	. WASHER . . . . .			04
		—*—			
78	2601566-16	. COMPRESSOR MOUNT . . . . .			01
79	MS21209C4-20	. INSERT . . . . .			04
80	21158-0141	. SEAL . . . . .	V73680	B5000	B5169 01
- 80A	21158-0213	. SEAL . . . . .	V73680	B5170	& ON 01
81	S3346-1	. GASKET . . . . .			01
82	2601566-22	. COMPRESSOR DRIVE ASSEMBLY . . . . .			01
		ATTACHING PARTS			
83	AN4C6A	. BOLT . . . . .			01
84	AN4C12A	. BOLT . . . . .			03
85	NAS1149C0432R	. WASHER . . . . .			04
		—*—			
86	2601566-6	. BEARING HOUSING . . . . .			01
87	2601566-18	. DRIVE SHAFT FSO 2601566-23 REFER TO NOTE 3 . . . . .	B5000	B5090	NP
- 87A	2601566-21	. DRIVE SHAFT FSO 2601566-23 REFER TO NOTE 2 . . . . .	B5091	B5169	NP
- 87B	2601566-23	. DRIVE SHAFT . . . . .	B5170	& ON	01
88	AS3582-114	. O-RING . . . . .			01
89	MS16625-4244	. RING . . . . .			01
90	MRC206SZZC	. BEARING . . . . .	V38443		02
91	2601566-7	. SPACER . . . . .			01
92	MS16624-4112	. RETAINER RING . . . . .			01
93	2601566-5	. PULLEY . . . . .	B5000	B5090	01
94	NAS1149C1032R	. WASHER . . . . .	B5000	B5090	01
95	MS21083C10	. NUT . . . . .	B5000	B5090	01
96	AN838-4D	. ELBOW . . . . .			01
97	AN924-4D	. NUT . . . . .			01
98	MS29512-04	. O-RING . . . . .	V81343		01
99	S2548-4-12.00	. HOSE . . . . .			01
100	S3017-4-4-4	. TEE . . . . .			01
101	S2357-1	. CLAMP . . . . .			04
102	F8263	. V-BELT . . . . .	V1DY25		01

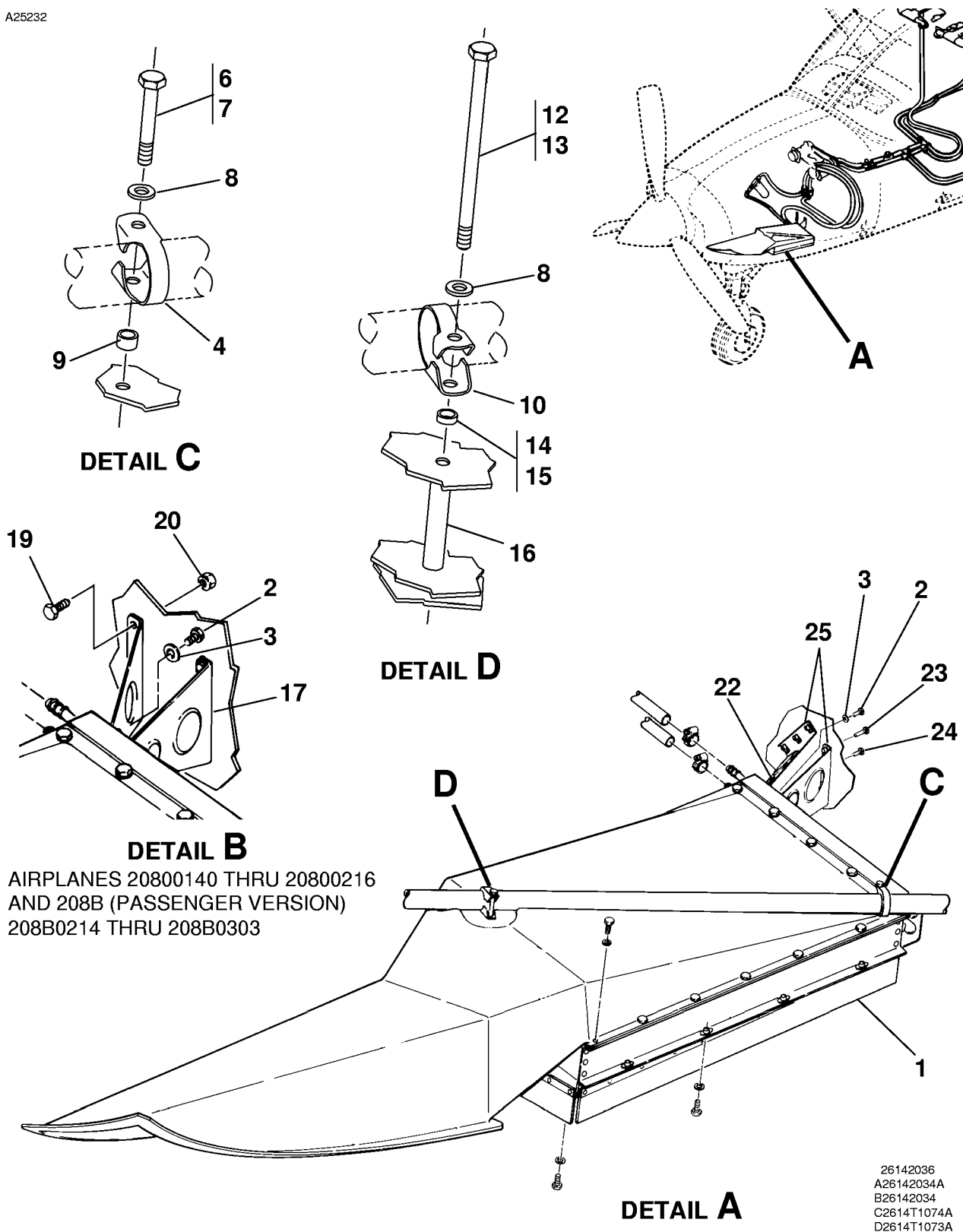
NOTE 1—REPLACEABLE ONLY WHEN 2601566-23 SHAFT IS INSTALLED.

NOTE 2—REPLACEABLE ONLY WHEN 2601566-24 MOUNT IS INSTALLED OR 21158-0141 SEAL IS REMOVED FROM 2601566-15 MOUNT AND REPLACED WITH 21158-0213.

NOTE 3—REPLACEABLE ONLY WHEN 2601566-24 MOUNT IS INSTALLED OR 21158-0141 SEAL IS REMOVED FROM 2601566-15 MOUNT AND REPLACED WITH 21158-0213. 2601566-23 ALSO ELIMINATES 2601566-5 PULLEY, NAS1149C1032R WASHER, AND MS21083C10 NUT FROM 2601566-17 ASSEMBLY.

CESSNA®  
**MODEL 208**  
 ILLUSTRATED PARTS CATALOG

A25232



**DETAIL B**  
 AIRPLANES 20800140 THRU 20800216  
 AND 208B (PASSENGER VERSION)  
 208B0214 THRU 208B0303

26142036  
 A26142034A  
 B26142034  
 C2614T1074A  
 D2614T1073A

**AIR CONDITIONER CONDENSER INSTALLATION**  
 FIGURE 01 (SHEET 1)

**CESSNA®**  
**MODEL 208**  
**ILLUSTRATED PARTS CATALOG**

FIG ITEM	PART NUMBER	NOMENCLATURE	UNITS PER ASSY	
			1 2 3 4 5 6 7	
01		AIR CONDITIONER CONDENSER INSTALLATION		
-			0140 & ON	RF
			B0214 & ON	
1	905232	. CONDENSER ASSY-AIR CONDITIONER FSO 1250305 . . . . . VGRCD	0140 0197	NP
			B0214 B0235	
- 1A	1250305	. CONDENSER ASSY-AIR CONDITIONER . . . . . V0B9E8	0198 0273	01
			B0236 B0654	
- 1B	1134305	. CONDENSER ASSY-AIR CONDITIONER . . . . . V0B9E8	0274 & ON	01
			B0655 & ON	
2	AN3-4A	. BOLT-CONDENSER ATTACH . . . . .		02
3	NAS1149D0363K	. WASHER-CONDENSER ATTACH . . . . .		02
4	2601340-2	. CLAMP-AFT FSO 2601550-1 REFER TO NOTE 1-CONDENSER ATTACH . . . . .	0140 0197	NP R
			B0214 B0235	
- 5	2601418-1	. CLAMP FSO 2601550-1 . . . . .	0198 0528	NP
			B0236 B2266	
- 5A	2601550-1	. CLAMP-AFT CONDENSER ATTACH REFER TO NOTE 2 . . . . .	0529 & ON	01
			B2267 & ON	
6	AN4-15A	. BOLT-CONDENSER ATTACH REFER TO NOTE 1 . . . . .	0140 0197	01
			B0214 B0235	
7	AN4-16A	. BOLT-CONDENSER ATTACH REFER TO NOTE 2 . . . . .	0198 & ON	01
			B0236 & ON	
8	NAS1149D0463K	. WASHER-CONDENSER ATTACH . . . . .		02
9	NAS43DD4-15N	. SPACER-CONDENSER ATTACH REFER TO NOTE 2 . . . . .	0198 & ON	04
			B0236 & ON	
- 9A	NAS43DD4-15FC	. SPACER ALT FOR NAS43DD4-15N REFER TO NOTE 2-CONDENSER ATTACH . . . . .	0198 & ON	04
			B0236 & ON	
10	2601340-1	. CLAMP-FORWARD CONDENSER ATTACH FSO 2601549-1 REFER TO NOTE 1 . . . . .	0140 0197	NP R
			B0214 B0235	
- 11	2601417-1	. CLAMP FSO 2601549-1 . . . . .	0198 0528	NP
			B0236 B2266	
- 11A	2601549-1	. CLAMP FORWARD CONDENSER ATTACH REFER TO NOTE 2 . . . . .	0529 & ON	01 R
			B02267 & ON	
12	AN4-40A	. BOLT-CONDENSER ATTACH REFER TO NOTE 1 . . . . .	0140 0197	01
			B0214 B0235	
13	AN4-36A	. BOLT-CONDENSER ATTACH REFER TO NOTE 2 . . . . .	0198 & ON	01
			B0236 & ON	
14	NAS43DD4-8N	. SPACER-CONDENSER ATTACH REFER TO NOTE 1 . . . . .	0140 0197	04
			B0214 B0235	
- 14A	NAS43DD4-8FC	. SPACER-CONDENSER ATTACH ALT FOR NAS43DD4-8N REFER TO NOTE 1 . . . . .	0140 0197	04
			B0214 B0235	
15	NAS43DD4-7N	. SPACER-CONDENSER ATTACH REFER TO NOTE 2 . . . . .	0198 & ON	04
			B0236 & ON	
- 15A	NAS43DD4-7FC	. SPACER-CONDENSER ATTACH ALT FOR NAS43DD4-7N REFER TO NOTE 2 . . . . .	0198 & ON	04
			B0236 & ON	
16	NAS43DD4-140N	. SPACER-CONDENSER ATTACH . . . . .		04
- 16A	NAS43DD4-140FC	. SPACER-CONDENSER ATTACH ALT FOR NAS43DD4-140N . . . . .		04
17		. BRACKET ASSY-CONDENSER SUPPORT FSO SK208-78 REFER TO NOTE 1 . . . . .	0140 0197	RF
			B0214 B0235	
- 18	2601419-1	. BRACKET ASSY-CONDENSER SUPPORT REFER TO NOTE 3 . . . . .	0198 0219	01 R
			B0236 B311	
19	AN3-4A	. BOLT-BRACKET ATTACH . . . . .	0140 0216	07
			B0214 B0303	
20	MS21042-3	. NUT-BRACKET ATTACH . . . . .	0140 0216	07
			B0214 B0303	
- 21	S4132-1	. ANCHOR . . . . .	0140 0216	01
			B0214 B0303	
22	2601440-1	. BRACKET ASSY-CONDENSER SUPPORT FSO 2601440-5 . . . . .	0220 0329	NP
			B0312 05171	
- 22A	2601440-3	. BRACKET ASSY-CONDENSER SUPPORT FSO 2601440-5 . . . . .	0330 0568	NP
- 22B	2601440-5	. BRACKET ASSY-CONDENSER SUPPORT . . . . .	0569 & ON	01
			05172 & ON	
23	AN3-5A	. BOLT-BRACKET ATTACH . . . . .	0217 & ON	06
			B0304 & ON	
24	AN3-4A	. BOLT-BRACKET ATTACH . . . . .	0217 & ON	01
			B0304 & ON	
25	MS21086L3	. NUTPLATE . . . . .	0217 & ON	AR
			B0304 & ON	

NOTE 1—AIRPLANES -0140 THRU -0197 AND -B0214 THRU -B0235, AND AIRPLANES -0140 THRU -0197 AND -B0214 THRU -B0235 INCORPORATING SK208-78 R

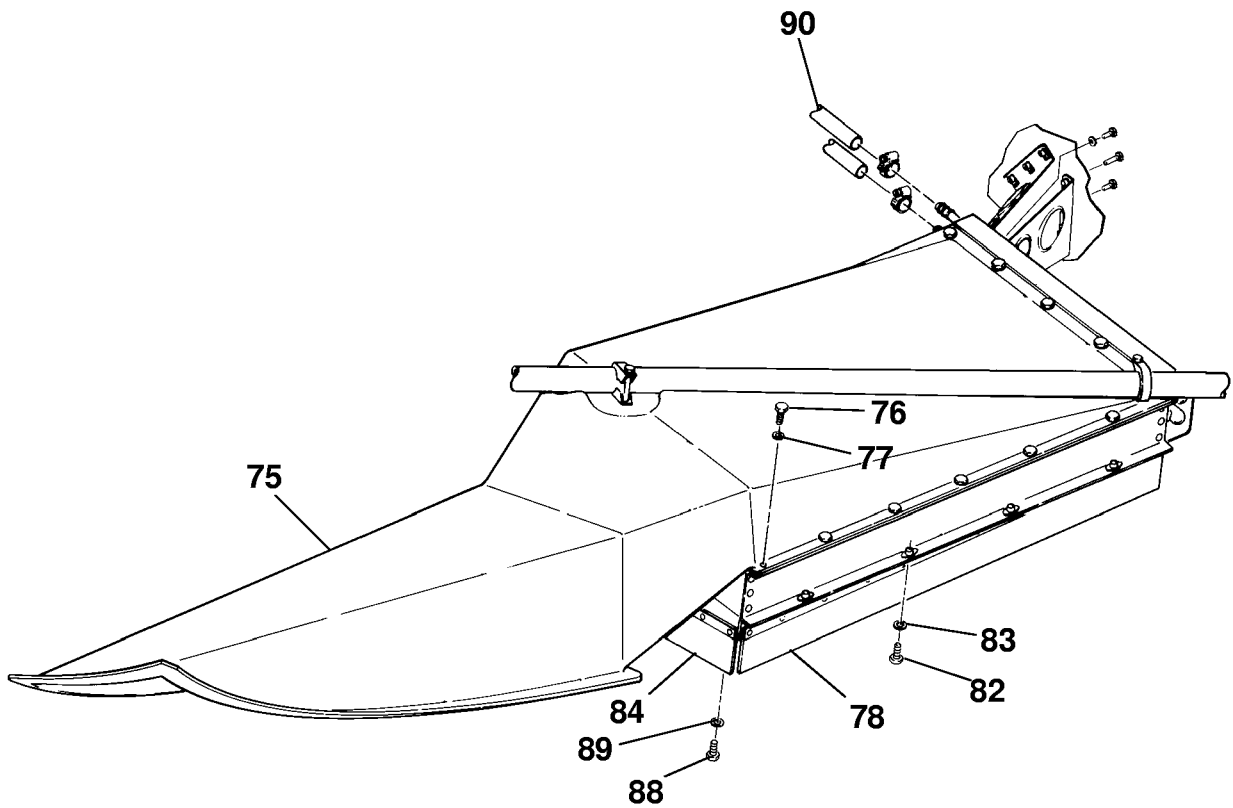
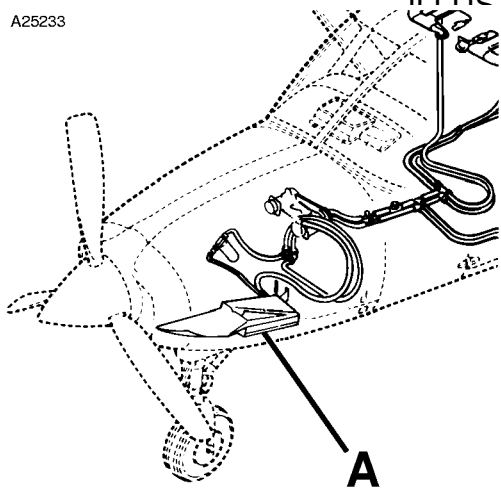
NOTE 2—AIRPLANES -0198 AND ON AND -B0236 AND ON AND -0140 THRU -0197 AND -B0214 THRU -B0235 INCORPORATING SK208-78

NOTE 3—AIRPLANES -0198 THRU -0216 AND -B0236 THRU -B0301 AND -0140 THRU -0197 AND -B0214 THRU -B0235 INCORPORATING SK208-78.

- ITEM NOT ILLUSTRATED

CESSNA®  
MODEL 208  
ILLUSTRATED PARTS CATALOG

A25233



**DETAIL A**

26142036  
A26142034A

AIR CONDITIONER CONDENSER INSTALLATION  
FIGURE 01 (SHEET 2)

**CESSNA®**  
**MODEL 208**  
**ILLUSTRATED PARTS CATALOG**

FIG ITEM	PART NUMBER	NOMENCLATURE	UNITS PER ASSY		
			1	2	3
01					
75	2601321-2	. DUCT ASSY-AIR CONDITIONING INLET FSO 2601321-4 . . . . .	0140	0239	NP R
			B0214	B0416	
- 75A	2601321-4	. DUCT ASSY-AIR CONDITIONING INLET . . . . .	0240	0331	01
			B0417	B0869	
- 75B	2601321-7	. DUCT ASSY-AIR CONDITIONING INLET . . . . .	0332	& ON	01
			B0870	& ON	
		ATTACHING PARTS			
76	AN3-4A	. BOLT . . . . .			16
77	NAS1149D0332K	. WASHER . . . . .			16
		—*—			
78		. SEAL ASSY-OUTBOARD FSO SK208-78 REFER TO NOTE 1 . . . . .	0140	0197	RF
			B0214	B0235	
- 79	2601412-3	. SEAL ASSY-OUTBOARD REFER TO NOTE 2 . . . . .	0198	& ON	01
			B0235	& ON	
- 80		. SEAL ASSY-INBOARD FSO SK208-78 REFER TO NOTE 1 . . . . .	0140	0197	RF
			B0214	B0235	
- 81	2601412-4	. SEAL ASSY-INBOARD REFER TO NOTE 2 . . . . .	0198	& ON	01
			B0235	& ON	
		ATTACHING PARTS			
82	AN3-4A	. BOLT . . . . .			04
83	NAS1149D0332K	. WASHER . . . . .			04
		—*—			
84		. SEAL ASSY-FORWARD FSO SK208-78 REFER TO NOTE 1 . . . . .	0140	0197	RF
			B0214	B0235	
- 85	2601412-1	. SEAL ASSY-FORWARD REFER TO NOTE 2 . . . . .	0198	& ON	01
			B0235	& ON	
- 86		. SEAL ASSY-AFT FSO SK208-78 REFER TO NOTE 1 . . . . .	0140	0197	RF
			B0214	B0235	
- 87	2601412-2	. SEAL ASSY-AFT REFER TO NOTE 2 . . . . .	0198	& ON	01
			B0235	& ON	
		ATTACHING PARTS			
88	AN3-4A	. BOLT . . . . .			03
89	NAS1149D0332K	. WASHER . . . . .			03
		—*—			
90		. AIR CONDITIONER SYSTEM REFER TO 21-51-00 FIGURE 01 . . . . .			RF

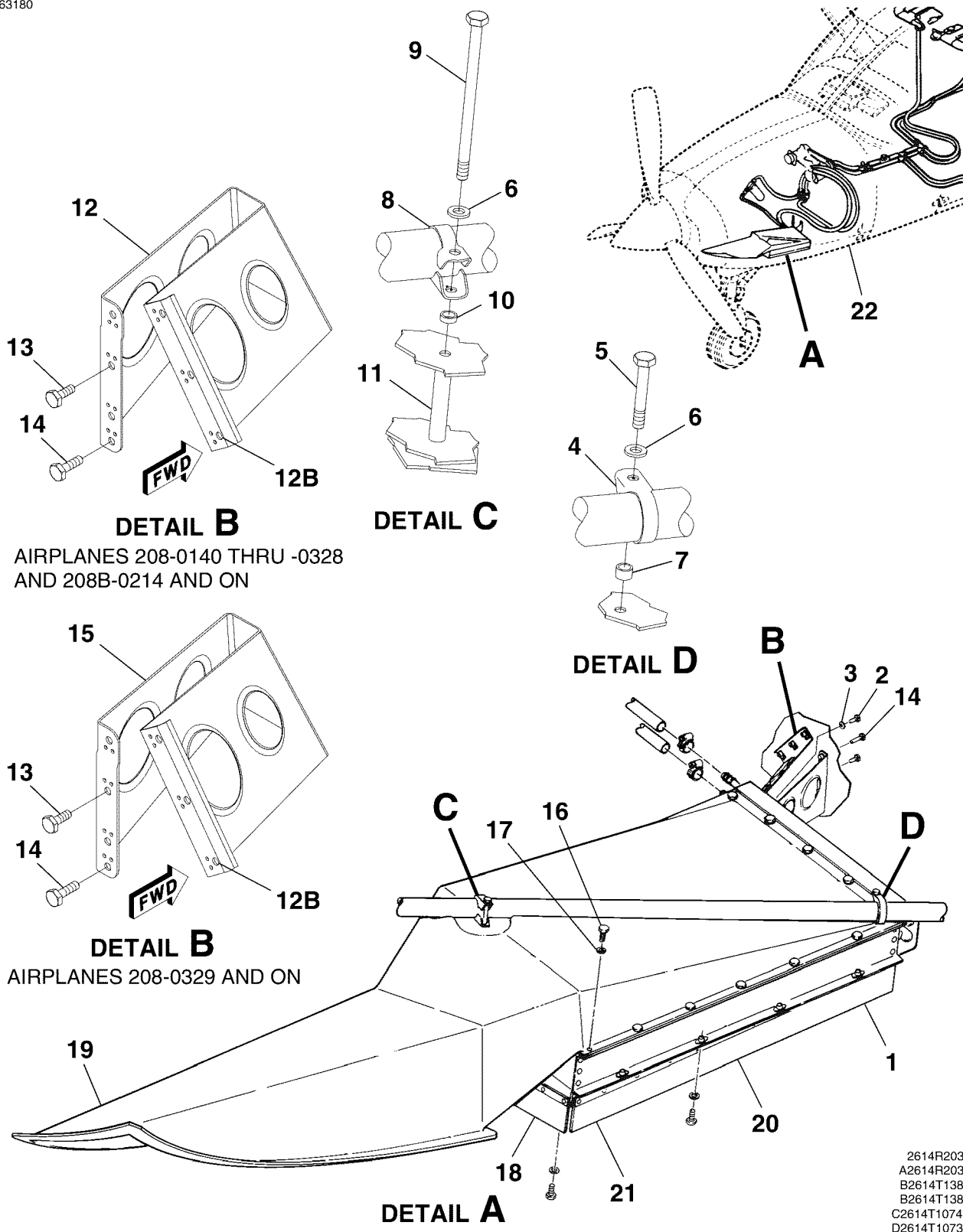
NOTE 1—EXCEPT AIRPLANES INCORPORATING SK208-78

NOTE 2—AIRPLANES -0198 AND ON AND -B0236 AND ON AND -0140 THRU -0197 AND -B0214 THRU -B0235 INCORPORATING SK208-78



CESSNA®  
**MODEL 208**  
 ILLUSTRATED PARTS CATALOG

A63180



**DETAIL B**  
 AIRPLANES 208-0140 THRU -0328  
 AND 208B-0214 AND ON

**DETAIL C**

**DETAIL D**

**DETAIL B**  
 AIRPLANES 208-0329 AND ON

**DETAIL A**

AIR CONDITIONER CONDENSER INSTALLATION  
 FIGURE 01A (SHEET 1)

2614R2036  
 A2614R2034  
 B2614T1381  
 C2614T1074A  
 D2614T1073A

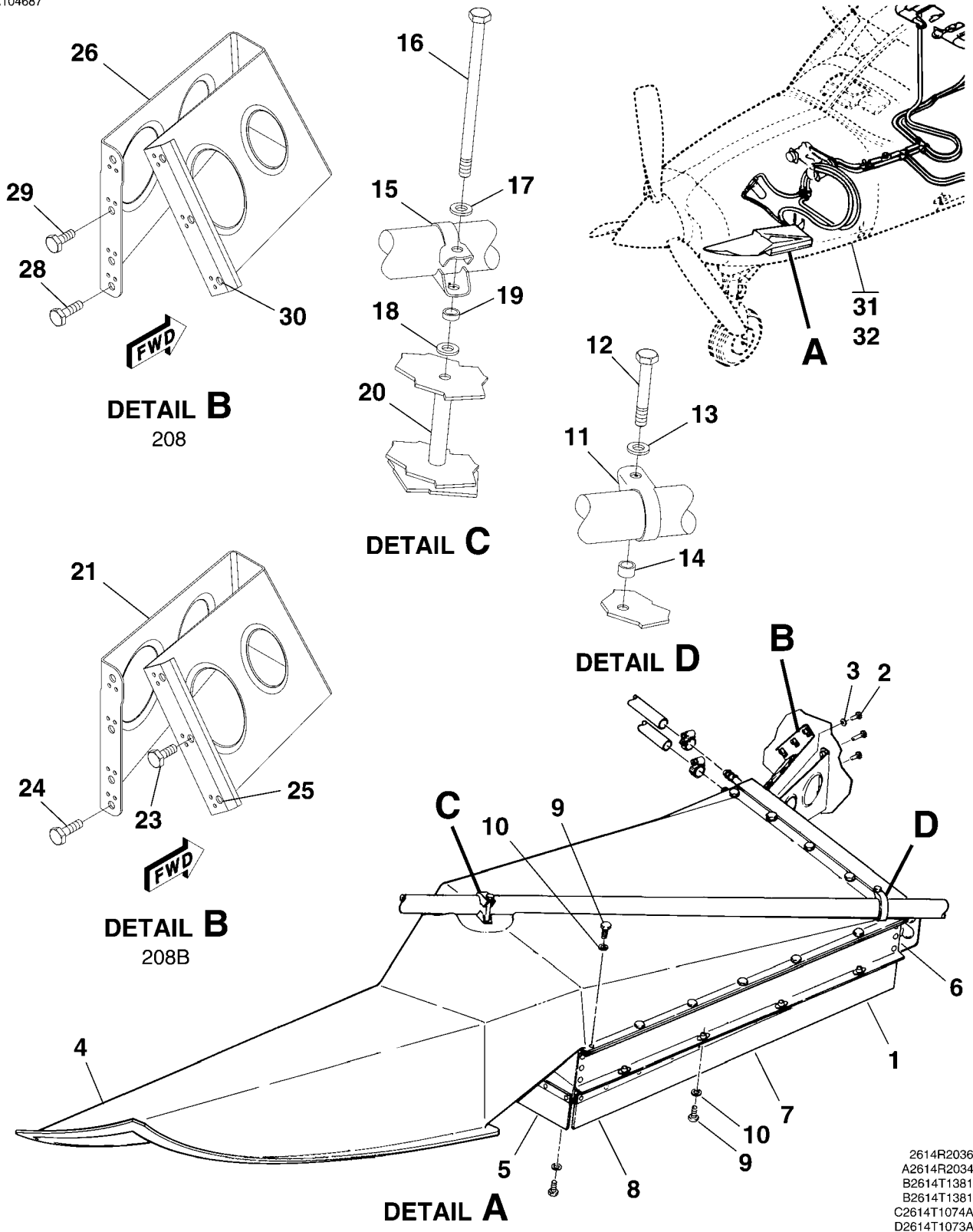
**CESSNA®**  
**MODEL 208**  
**ILLUSTRATED PARTS CATALOG**

FIG ITEM	PART NUMBER	NOMENCLATURE	UNITS		
			PER ASSY		
01A		AIR CONDITIONER CONDENSER INSTALLATION -REFER TO NOTE 1			RF
-					
1	1134305	. CONDENSOR COIL . . . . .			01
2	AN3-4A	. BOLT-CONDENSER ATTACH . . . . .			02
3	NAS1149D0363K	. WASHER-CONDENSER ATTACH . . . . .			02
4	2601417-1	. CLAMP FSO 2601549-1 . . . . .	0198	0528	NP
			B236	B2266	
- 4A	2601549-1	. CLAMP WELD ASSY . . . . .		& ON	01
			B2267	& ON	
5	AN4-16A	. BOLT . . . . .			01
6	NAS1149D0463K	. WASHER . . . . .			01
7	NAS43DD4-15N	. SPACER . . . . .			01
8	2601417-1	. CLAMP FSO 2601549-1 . . . . .	0198	0528	NP
			B236	B2266	
- 8A	2601550-1	. CLAMP WELD ASSY . . . . .		& ON	NP R
			B2267	& ON	
9	AN4-36A	. BOLT . . . . .			01
10	NAS43DD4-7N	. SPACER . . . . .			01
11	NAS43DD4-140N	. SPACER . . . . .			01
12	2601440-1	. BRACKET ASSY FSO 2601440-5 . . . . .			NP
- 12A	2601440-5	. BRACKET ASSY . . . . .			01
12B	MS21086L3	. . NUTPLATE . . . . .			07
13	AN3-4A	. BOLT-BRACKET ASSY ATTACH . . . . .			01
14	AN3-5A	. BOLT-BRACKET ASSY ATTACH . . . . .			06
15	2601440-3	. BRACKET ASSY FSO 2601440-5 . . . . .			NP
- 15A	2601440-5	. BRACKET ASSY . . . . .			01
16	AN3-4A	. BOLT . . . . .			16
17	NAS1149D0332K	. WASHER . . . . .			16
18	2601412-2	. SEAL ASSY-AFT . . . . .			01
19	2601321-7	. INLET DUCT ASSY . . . . .			01
20	2601412-3	. SEAL ASSY-OUTBOARD . . . . .			01
21	2601412-4	. SEAL ASSY-INBOARD . . . . .			01
22	2601319-202	. COWL ASSY FSO 2652031-203 . . . . .			NP
- 22A	2652031-203	. COWL ASSY . . . . .			01

NOTE 1—AIRPLANES -0140 THRU -0415 AND -0417 THRU -0499, AND AIRPLANES -B0214 THRU -B1189, -B1191 THRU -B1215, AND -B1217 THRU -B1999 INCORPORATING SK208-157A R

CESSNA®  
**MODEL 208**  
 ILLUSTRATED PARTS CATALOG

A104687



2614R2036  
 A2614R2034  
 B2614T1381  
 B2614T1381  
 C2614T1074A  
 D2614T1073A

**AIR CONDITIONER CONDENSER INSTALLATION**  
**FIGURE 01B (SHEET 1)**

**CESSNA®**  
**MODEL 208**  
**ILLUSTRATED PARTS CATALOG**

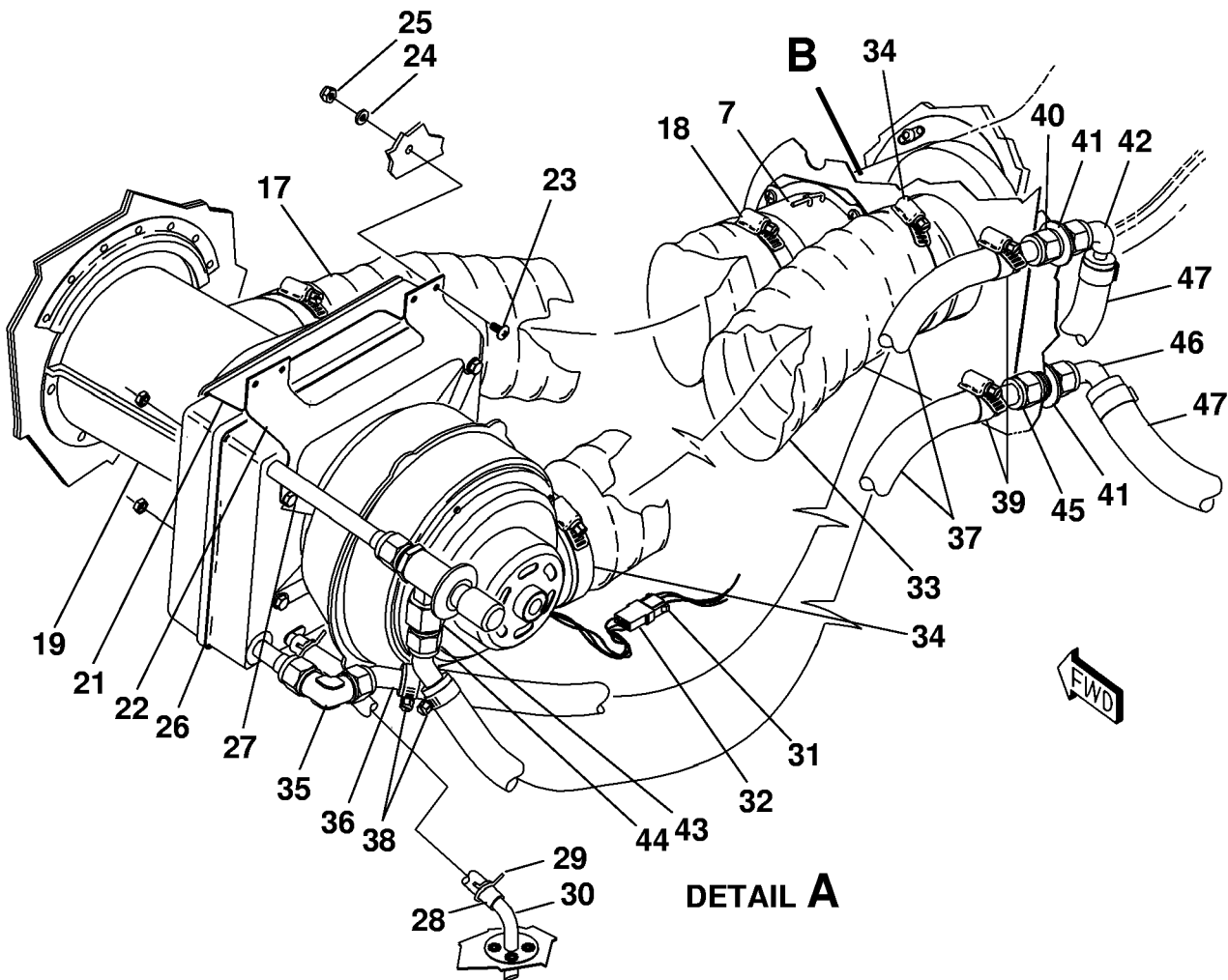
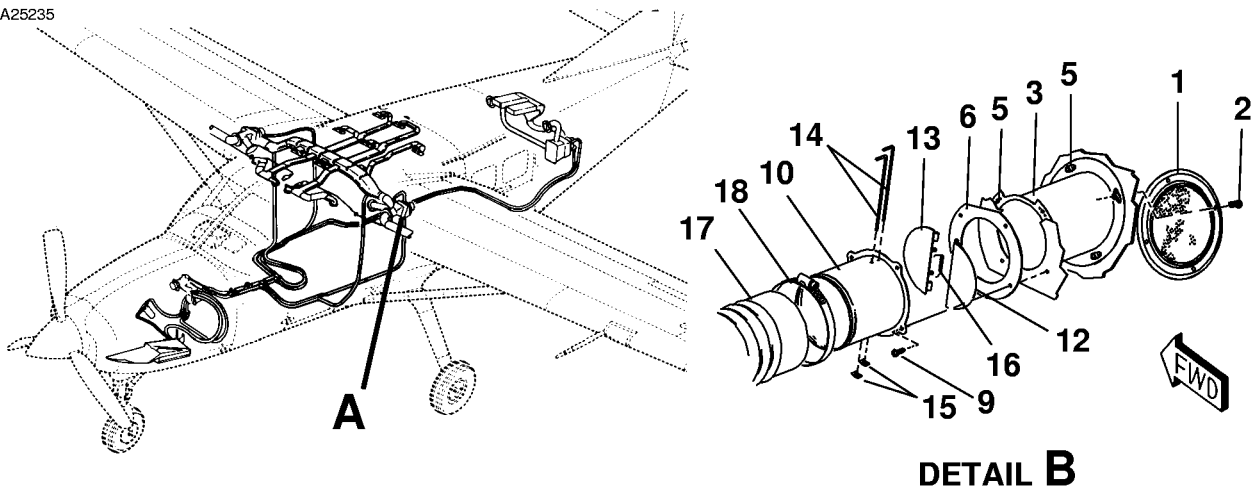
FIG ITEM	PART NUMBER	NOMENCLATURE	UNITS
			PER ASSY
		1 2 3 4 5 6 7	
01B		AIR CONDITIONER CONDENSER INSTALLATION REFER TO NOTE 1 AND	RF
-		NOTE 2	
1	1134305	. CONDENSOR COIL . . . . .	01
		ATTACHING PARTS	
2	AN3-4A	. BOLT . . . . .	02
3	NAS1149D0363K	. WASHER . . . . .	02
		—*—	
4	2601321-7	. INLET DUCT ASSY . . . . .	01
5	2601412-1	. SEAL ASSY-FWD . . . . .	01
6	2601412-2	. SEAL ASSY-AFT . . . . .	01
7	2601412-4	. SEAL ASSY-INBOARD . . . . .	01
8	2601412-3	. SEAL ASSY-OUTBOARD . . . . .	01
		ATTACHING PARTS	
9	AN3-4A	. BOLT . . . . .	32
10	NAS1149D0332K	. WASHER . . . . .	32
		—*—	
11	2601549-1	. CLAMP WELD ASSY . . . . .	01
		ATTACHING PARTS	
12	AN4-16A	. BOLT . . . . .	01
13	NAS1149D0463K	. WASHER . . . . .	01
14	NAS43DD4-15C	. SPACER . . . . .	01
		—*—	
15	2601550-1	. CLAMP WELD ASSY . . . . .	01
		ATTACHING PARTS	
16	AN4-41A	. BOLT . . . . .	01
17	NAS1149D0463K	. WASHER . . . . .	01
18	NAS1149F0463P	. WASHER . . . . .	01
19	NAS43DD4-7FC	. SPACER . . . . .	01
20	NAS43DD4-140	. SPACER . . . . .	01
		—*—	
21	2601440-1	. BRACKET ASSY-USED ON 208B FSO 2601440-5 . . . . .	NP
- 22	2601440-5	. BRACKET ASSY . . . . .	01
		ATTACHING PARTS	
23	AN3-6A	. BOLT . . . . .	03
24	AN3-5A	. BOLT . . . . .	04
		—*—	
25	MS21086L3	. . NUTPLATE . . . . .	06
26	2601440-3	. BRACKET ASSY-USED ON 208 FSO 2601440-5 . . . . .	NP
- 27	2601440-5	. BRACKET ASSY . . . . .	01
		ATTACHING PARTS	
28	AN3-5A	. BOLT . . . . .	05
29	AN3-4A	. BOLT . . . . .	01
		—*—	
30	MS21086L3	. . NUTPLATE . . . . .	06
31	2652031-6	. COWL ASSY-A/C AND STANDBY ALT USED ON 208 . . . . .	01
32	2652031-8	. COWL ASSY-A/C AND STANDBY ALT USED ON 208B . . . . .	01

NOTE 1—AIRPLANES -0500 AND ON AND AIRPLANES -B2000 THRU -B4999 INCORPORATING CAB-21-03.

NOTE 2—AIRPLANES -B5000 AND ON INCORPORATING CAB-21-04.

CESSNA®  
**MODEL 208**  
 ILLUSTRATED PARTS CATALOG

A25235



EVAPORATOR INSTALLATION - WING MOUNTED  
 FIGURE 01 (SHEET 1)

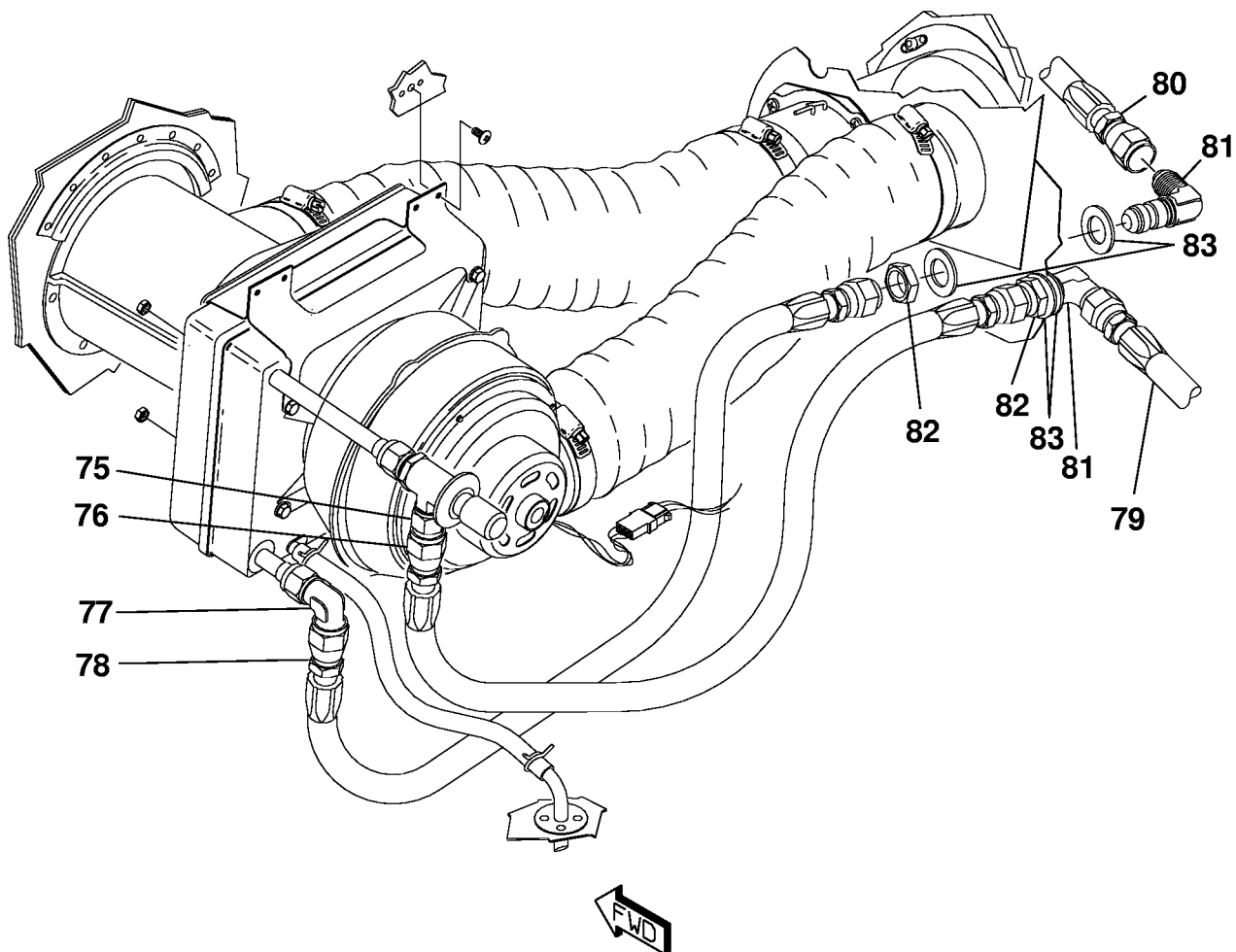
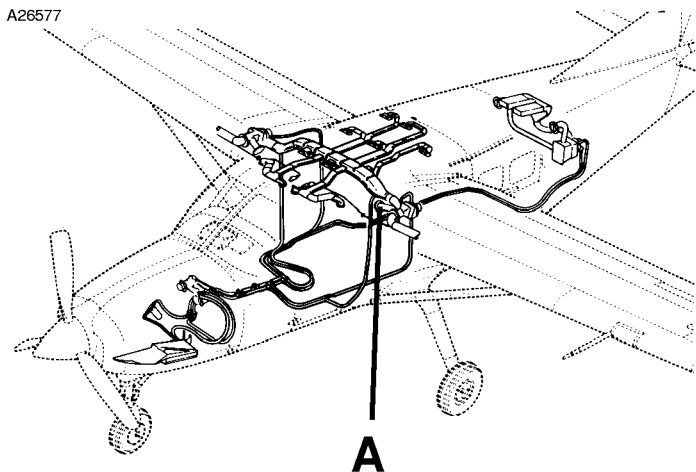
26142036  
 A2614T1083A  
 B26141077

**CESSNA®**  
**MODEL 208**  
**ILLUSTRATED PARTS CATALOG**

FIG ITEM	PART NUMBER	NOMENCLATURE	UNITS PER ASSY		
			1	2	3
01		EVAPORATOR INSTALLATION - WING MOUNTED	0140	& ON	RF
-			B0214	& ON	
1	2601352-3	. GRILL ASSY-AIR CONDITIONER . . . . .			02
2	MS35207-263	. SCREW-AIR CONDITIONER ATTACH . . . . .			04
3	2601350-15	. DUCT ASSY-LH . . . . .			01
- 4	2601350-16	. DUCT ASSY-RH . . . . .			01
5	MS21047L3	. NUTPLATE . . . . .			08
6	2601350-4	. SEAL-CHECK VALVE . . . . .			02
7	2601350-1	. CHECK VALVE ASSY-LH EVAPORATOR . . . . .			01
- 8	2601350-2	. CHECK VALVE ASSY-RH EVAPORATOR . . . . .			01
9	MS35207-264	. SCREW-CHECK VALVE ATTACH . . . . .			04
10	2601350-9	. DUCT ASSY-LH . . . . .			01
- 11	2601350-10	. DUCT ASSY-RH . . . . .			01
12	2601350-22	. GATE ASSY . . . . .			01
13	2601350-3	. GATE ASSY . . . . .			01
14	2601350-11	. HINGE PIN-GATE ASSY ATTACH . . . . .			02
15	S4215-1	. NUT-GATE ASSY ATTACH . . . . .			02
16	S2754-1	. WIRE-GATE ASSY ATTACH . . . . .			01
17	S1053E33W	. DUCT BKI 8.0 IN LG . . . . .			02
18	S1891-64S	. CLAMP-DUCT ATTACH . . . . .			02
19	2601141-55	. DUCT ASSY-LH FSO 2601141-81 . . . . .	0140	0403	NP
- 19A	2601141-81	. DUCT ASSY-LH . . . . .	B0214	B1218	
- 20	2601141-56	. DUCT ASSY-RH FSO 2601141-82 . . . . .	0404	& ON	01
- 20A	2601141-82	. DUCT ASSY-RH . . . . .	B1219	& ON	
21	2601143-1	. BRACKET-EVAPORATOR MOUNT LH FWD & RH AFT . . . . .	0140	0403	NP
22	2601143-2	. BRACKET-EVAPORATOR MOUNT LH AFT & RH FWD . . . . .	B0214	B1218	
23	AN3-4A	. BOLT-BRACKET ATTACH . . . . .	0404	& ON	01
24	NAS1149F0363P	. WASHER-BRACKET ATTACH . . . . .	0140	0403	NP
25	MS21044N3	. NUT-BRACKET ATTACH . . . . .	B0214	B1218	
26		. EVAPORATOR ASSY-LH AND RH REFER TO 21-51-03 FIGURE 03 . . . . .	0404	& ON	01
27	MS21044N3	. NUT-EVAPORATOR ASSY ATTACH . . . . .	B1219	& ON	
28	S1071-4	. LINE-EVAPORATOR DRAIN BKI . . . . .			02
29	S1494-8	. CLAMP-EVAPORATOR DRAIN LINE ATTACH . . . . .			02
30	2601252-1	. TUBE ASSY-ELEVATOR DRAIN . . . . .			02
31	S1638-1	. PLUG-SOCKET . . . . .			02
32	S1638-2	. CAP . . . . .			02
33	S1053E29W	. DUCT 11.00 IN LG BKI . . . . .	0140	0273	02
- 33A	S1053K28W	. DUCT 11.00 IN LG BKI . . . . .	B0214	B0654	
34	S1891-56S	. CLAMP-DUCT ATTACH . . . . .	0274	& ON	02
35	AN821-8D	. ELBOW . . . . .	B0655	& ON	
36	235-655	. FITTING . . . . .	0140	0273	02
37	R221213	. HOSE BKI . . . . . V81300	B0214	B0654	
38	S1891-8S	. CLAMP-HOSE ATTACH . . . . .	0140	0273	AR
39	320-212	. CLAMP-HOSE ATTACH . . . . . VACRA	B0214	B0654	
- 39A	040-9401	. CLAMP-HOSE ATTACH ALT FOR 320-212 . . . . . VACRA	0140	0273	01
- 39B	221-101	. CLAMP-HOSE ATTACH ALT FOR 320-212 . . . . . VFRIG	B0214	B0654	
40	235-655	. FITTING . . . . . VFRIG	0140	0273	01
41	NAS1149F1290P	. WASHER . . . . .	B0214	B0654	
42	235-774	. FITTING . . . . . VFRIG	0140	0273	02
43	235-421	. BUSHING . . . . . VFRIG	B0214	B0654	
44	235-677	. FITTING . . . . . VFRIG	0140	0273	02
45	235-771	. FITTING . . . . . VFRIG	B0214	B0654	
46	235-659	. FITTING . . . . . VFRIG	0140	0273	02
47	R221213	. HOSE . . . . .	B0214	B0654	AR

- ITEM NOT ILLUSTRATED

CESSNA®  
MODEL 208  
ILLUSTRATED PARTS CATALOG



**DETAIL A**

AIRPLANES 208-0274 AND ON  
AIRPLANES 208B-0655 AND ON

A2614T1083B

EVAPORATOR INSTALLATION - WING MOUNTED  
FIGURE 01 (SHEET 2)

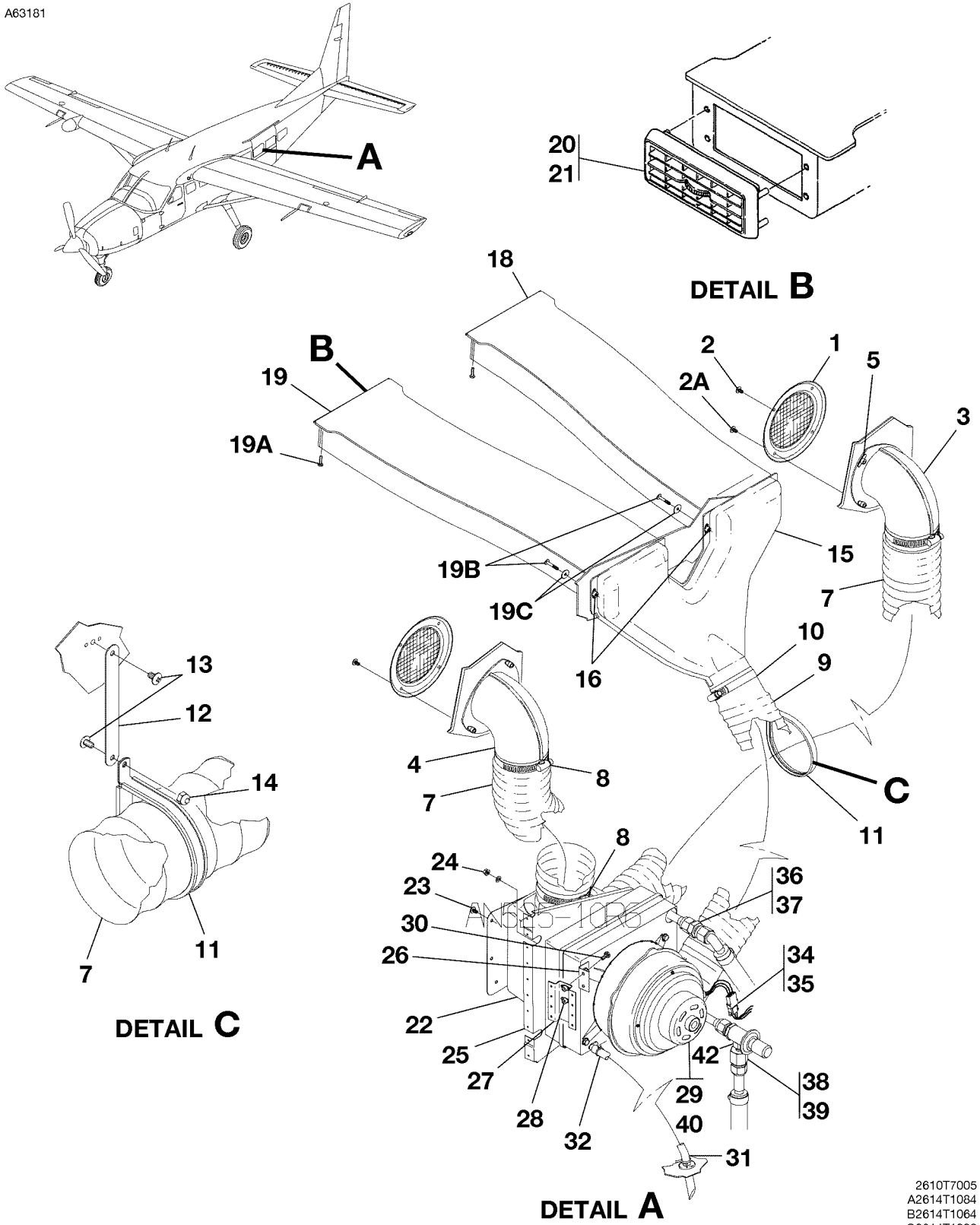
CESSNA®  
**MODEL 208**  
 ILLUSTRATED PARTS CATALOG

FIG ITEM	PART NUMBER	1 2 3 4 5 6 7	NOMENCLATURE	UNITS PER ASSY	
01					
75	2406-4-6	.	TUBE REDUCER . . . . .	0274 & ON	01
				B0655 & ON	
76	2601471-15	.	HOSE ASSY FSO AE713797-015 . . . . .	0274 0331	NP
				B0655 B0877	
- 76A	AE713797-015	.	HOSE ASSY . . . . . V00624	0332 & ON	01
				B0878 & ON	
77	AN821-8D	.	ELBOW . . . . .	0274 & ON	01
				B0655 & ON	
78	2601471-16	.	HOSE ASSY FSO AE713797-016 . . . . .	0274 0331	NP
				B0655 B0877	
- 78A	AE713797-016	.	HOSE ASSY . . . . . V00624	0332 & ON	01
				B0878 & ON	
79	2601471-11	.	HOSE ASSY . . . . .	0274 & ON	01
- 79A	2601471-19	.	HOSE ASSY . . . . .	B0655 & ON	01
80	2601471-12	.	HOSE ASSY . . . . .	0274 & ON	01
- 80A	2601471-20	.	HOSE ASSY . . . . .	B0655 & ON	01
81	AN833-8D	.	ELBOW . . . . .	0274 & ON	02
				B0655 & ON	
82	AS5178W08	.	NUT . . . . .	0274 & ON	02 R
				B0655 & ON	
83	NAS1149F1290P	.	WASHER . . . . .	0274 & ON	02
				B0655 & ON	



CESSNA®  
**MODEL 208**  
 ILLUSTRATED PARTS CATALOG

A63181



EVAPORATOR INSTALLATION - AFT MOUNTED  
 FIGURE 01A (SHEET 1)

2610T7005  
 A2614T1084  
 B2614T1064  
 C2614T1098

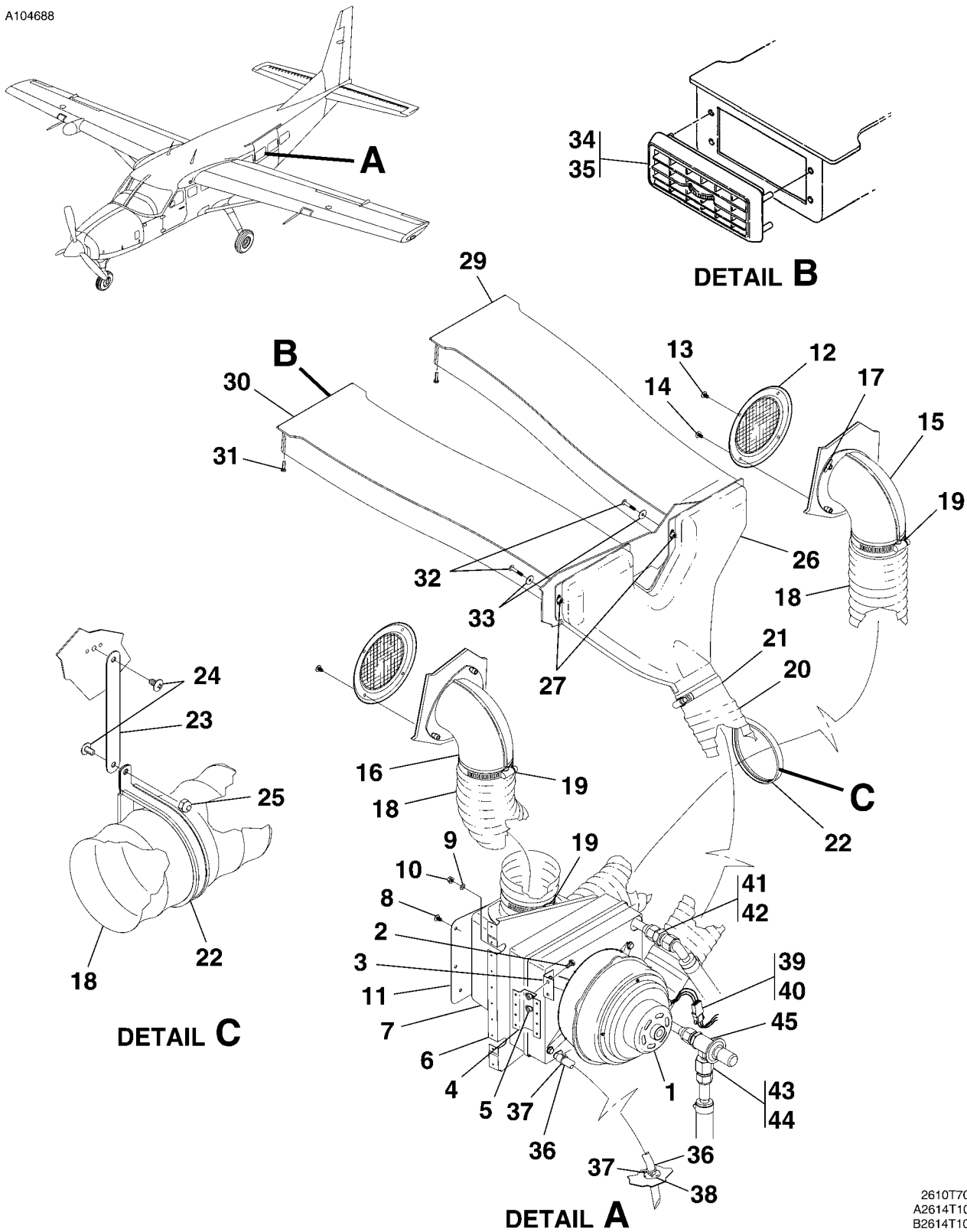
**CESSNA®**  
**MODEL 208**  
**ILLUSTRATED PARTS CATALOG**

FIG ITEM	PART NUMBER	NOMENCLATURE	UNITS PER ASSY		
			1	2	3
01A		EVAPORATOR INSTALLATION - AFT MOUNTED REFER TO NOTE 1			RF
- 1	2601352-3	. GRILL ASSY-AIR CONDITIONER . . . . .			02
2	AN525-10R6	. SCREW . . . . .			04
2A	AN525-10R12	. SCREW . . . . .			06
3	2601359-2	. ELBOW ASSY-RH FSO 2601359-8 . . . . .	0140	0416	NP
- 3A	2601359-8	. ELBOW ASSY-RH . . . . .	B0214	B1266	
			0417	& ON	01
			B1267	& ON	
4	2601359-1	. ELBOW ASSY-LH FSO 2601359-7 . . . . .	0140	0416	NP
- 4A	2601359-7	. ELBOW ASSY-LH . . . . .	B0214	B1266	
			0417	& ON	01
			B1267	& ON	
5	MS21047L3	. . NUTPLATE . . . . .	0140	0416	03
- 5A	MS21075-3	. . NUTPLATE . . . . .	B0214	B1266	
			0417	& ON	05
			B1267	& ON	
- 6	S1891-56S	. CLAMP . . . . .			04
7	F222076	. DUCT . . . . .			AR
8	S1891-56S	. CLAMP-DUCT ATTACH . . . . .			04
9	F222055	. DUCT . . . . .			AR
10	S1891-48S	. CLAMP-DUCT ATTACH . . . . .			02
11	MS21919DG58	. CLAMP . . . . .			01
12	2601360-1	. HANGER . . . . .			01
13	AN525-10R6	. SCREW-HANGER ATTACH . . . . .			02
14	MS21044N3	. NUT-HANGER ATTACH . . . . .			01
15	2601141-64	. DUCT ASSY . . . . .			01
16	MS21047L08	. . NUTPLATE-DUCT ASSY ATTACH . . . . .			04
- 17	NAS1149DN316H	. . WASHER-DUCT ASSY ATTACH . . . . .			08
18	2601141-75	. DUCT ASSY . . . . .			01
19	2601141-48	. DUCT ASSY . . . . .			01
19A	MS35206-246	. SCREW-DUCT ASSY ATTACH . . . . .			04
19B	AN525-832R16	. SCREW-DUCT ASSY ATTACH . . . . .			04
19C	S1450-2-10-032	. WASHER-DUCT ASSY ATTACH . . . . .			04
20	2610020-82	. LOUVER ASSY . . . . .			02
21	C2437-035-3B	. CLIP-LOUVER ASSY ATTACH . . . . .			02
22	2601141-61	. DUCT ASSY . . . . .			01
23	AN525-10R6	. SCREW-DUCT ASSY ATTACH . . . . .			02
24	S355-1	. WASHER-DUCT ASSY ATTACH . . . . .			02
25	2601143-3	. BRACKET-EVAPORATOR SUPPORT . . . . .			01
26	2601143-7	. ANGLE ATTACH . . . . .			01
27	2601143-5	. BRACKET ASSY-EVAPORATOR ATTACH . . . . .			01
28	MS21069L3	. . NUTPLATE . . . . .			02
29		. EVAPORATOR ASSY-AIR CONDITIONER AFT REFER TO 21-51-02 FIGURE 01A . . . . .			RF
30	AN3-3A	. BOLT EVAPORATOR ASSY ATTACH . . . . .			02
31	P610051	. TUBE-EVAPORATOR DRAIN BKI . . . . .			AR
32	S1494-8	. CLAMP-EVAPORATOR DRAIN ATTACH . . . . .			01
- 33	MS35489-14	. GROMMET . . . . .			01
34	S1638-1	. HOUSING-SOCKET . . . . .			01
35	S1638-2	. HOUSING-CAP . . . . .			01
36	AS5174D0808	. UNION . . . . .			01
37	235-659	. FITTING . . . . .			01
38	235-421	. BUSHING . . . . .			01
39	235-677	. FITTING . . . . .			01
40	1134200-17	. EVAPORATOR ASSY-AFT FSO 1134200-28 . . . . .	0274	0403	NP
- 40A	1134200-28	. EVAPORATOR ASSY-AFT . . . . .	B0655	B1200	
			0404	& ON	01
			B1201	& ON	
- 41	1133210-6	. . MOTOR-EVAPORATOR ASSY . . . . .	0404	& ON	01
			B1201	& ON	
42	2406-4-6	. TUBE REDUCER . . . . .			01

NOTE 1—AIRPLANES -0140 THRU -0415, -0417 THRU -0499 AND AIRPLANES -B0214 THRU -B1189, -B1191 THRU 208B1215, AND -B1217 THRU -B1999 INCORPORATING SK208-157A R

CESSNA®  
**MODEL 208**  
 ILLUSTRATED PARTS CATALOG

A104688



EVAPORATOR INSTALLATION - AFT MOUNTED  
 FIGURE 01B (SHEET 1)

2610T7005  
 A2614T1084  
 B2614T1064  
 C2614T1098

**CESSNA®**  
**MODEL 208**  
**ILLUSTRATED PARTS CATALOG**

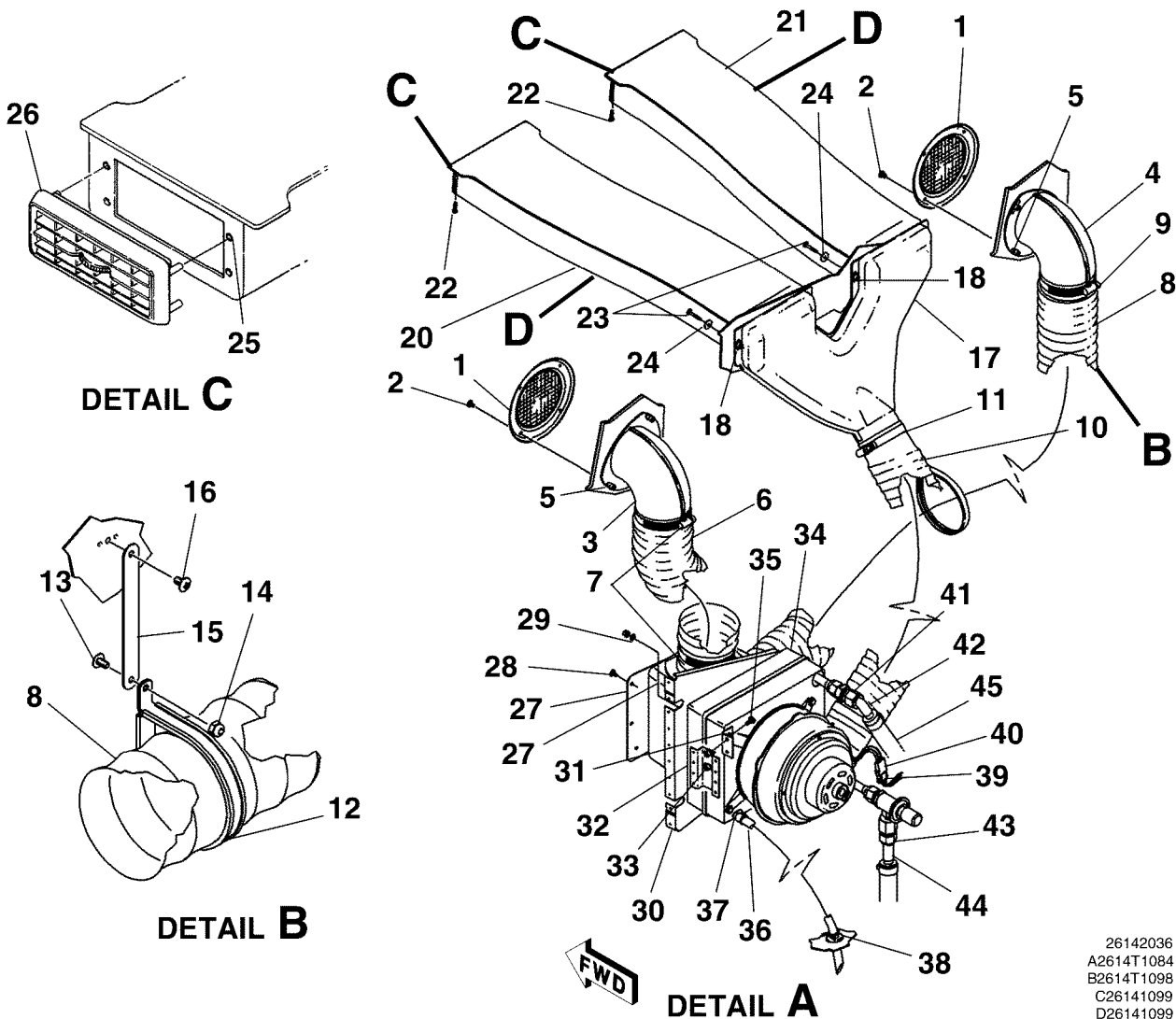
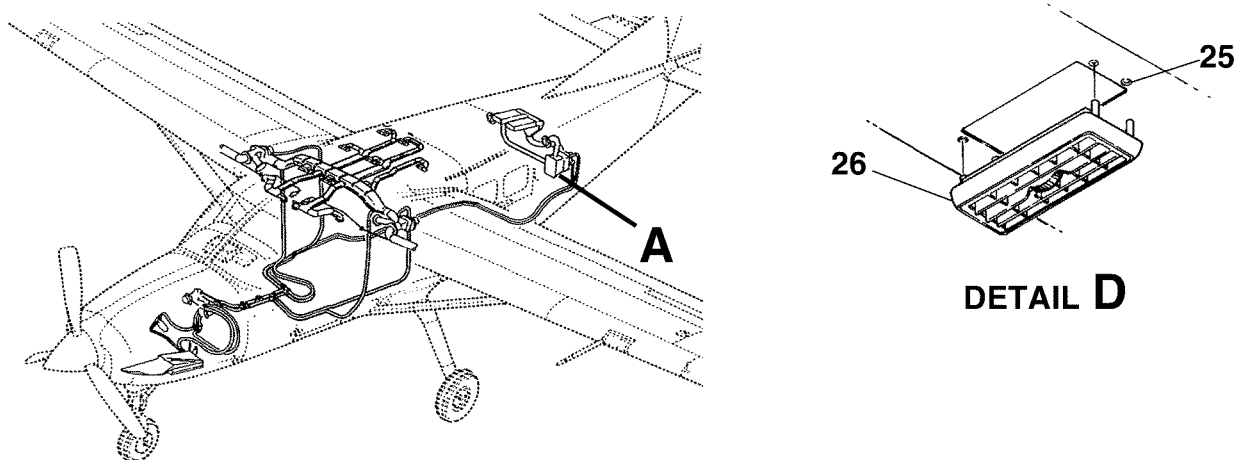
FIG ITEM	PART NUMBER	NOMENCLATURE	UNITS
			PER ASSY
		1 2 3 4 5 6 7	
01B		EVAPORATOR INSTALLATION - AFT MOUNTED REFER TO NOTE 1 AND NOTE	RF
-		2	
1	1134200-28	. EVAPORATOR ASSY-AIR CONDITIONER AFT MOUNTED . . . . . V0B9E8 ATTACHING PARTS	01
2	AN3-3A	. BOLT . . . . .	02
		—*—	
3	2601143-7	. ATTACH ANGLE . . . . .	01
4	2601143-5	. BRACKET ASSY-EVAPORATOR ATTACH . . . . .	01
5	MS21069L3	. . NUTPLATE . . . . .	02
6	2601143-3	. BRACKET-EVAPORATOR SUPPORT . . . . .	01
7	2601141-61	. DUCT ASSY . . . . . ATTACHING PARTS	01
8	AN525-10R6	. SCREW . . . . .	02
9	S355-1	. WASHER . . . . .	02
10		. NUT-SUPPLIED WITH EVAPORATOR ASSY . . . . .	RF
		—*—	
11	2601141-73	. PLATE . . . . .	01
12	2601352-3	. GRILL ASSY-AIR CONDITIONER . . . . .	02
13	AN525-10R6	. SCREW . . . . .	04
14	AN525-10R12	. SCREW . . . . .	06
15	2601359-8	. ELBOW ASSY-RH . . . . .	01
16	2601359-7	. ELBOW ASSY-LH . . . . .	01
17	MS21047L3	. . NUTPLATE . . . . .	03
18	F222076	. DUCT . . . . .	AR
19	S1891-56S	. CLAMP . . . . .	04
20	F222055	. DUCT . . . . .	AR
21	S1891-48S	. CLAMP . . . . .	02
22	MS21919DG58	. CLAMP . . . . .	01
23	2601360-1	. HANGER . . . . .	01
24	AN525-10R6	. SCREW . . . . .	02
25	MS21044N3	. NUT . . . . .	01
26	2601141-64	. DUCT ASSY . . . . .	01
27	MS21047L08	. . NUTPLATE . . . . .	04
- 28	NAS1149DN316H	. . WASHER . . . . .	08
29	2601141-88	. DUCT ASSY-RH . . . . .	01
30	2601141-48	. DUCT ASSY-LH . . . . . ATTACHING PARTS	01
31	MS35206-246	. SCREW . . . . .	04
32	AN525-832R16	. SCREW . . . . .	04
33	S1450-2-10-032	. WASHER . . . . .	04
		—*—	
34	2610020-82	. LOUVER ASSY . . . . .	02
35	C2437-035-3B	. CLIP . . . . .	02
36	P610051	. TUBE . . . . .	AR
37	S1494-8	. CLAMP . . . . .	01
38	MS35489-14	. GROMMET . . . . .	01
39	S1638-1	. HOUSING-SOCKET . . . . .	01
40	S1638-2	. HOUSING-CAP . . . . .	01
41	AS5174D0808	. UNION . . . . .	01
42	235-659	. FITTING . . . . .	01
43	235-421	. BUSHING . . . . .	01
44	235-677	. FITTING . . . . .	01
45	2406-4-6	. TUBE REDUCER . . . . .	01

NOTE 1—AIRPLANES -0500 AND ON AND AIRPLANES -B2000 THRU -B4999 INCORPORATING CAB-21-03.

NOTE 2—AIRPLANES -B5000 AND ON INCORPORATING CAB-21-04.

CESSNA®  
**MODEL 208**  
 ILLUSTRATED PARTS CATALOG

A25236



EVAPORATOR INSTALLATION - AFT MOUNTED  
 FIGURE 02 (SHEET 1)

26142036  
 A2614T1084  
 B2614T1098  
 C26141099  
 D26141099

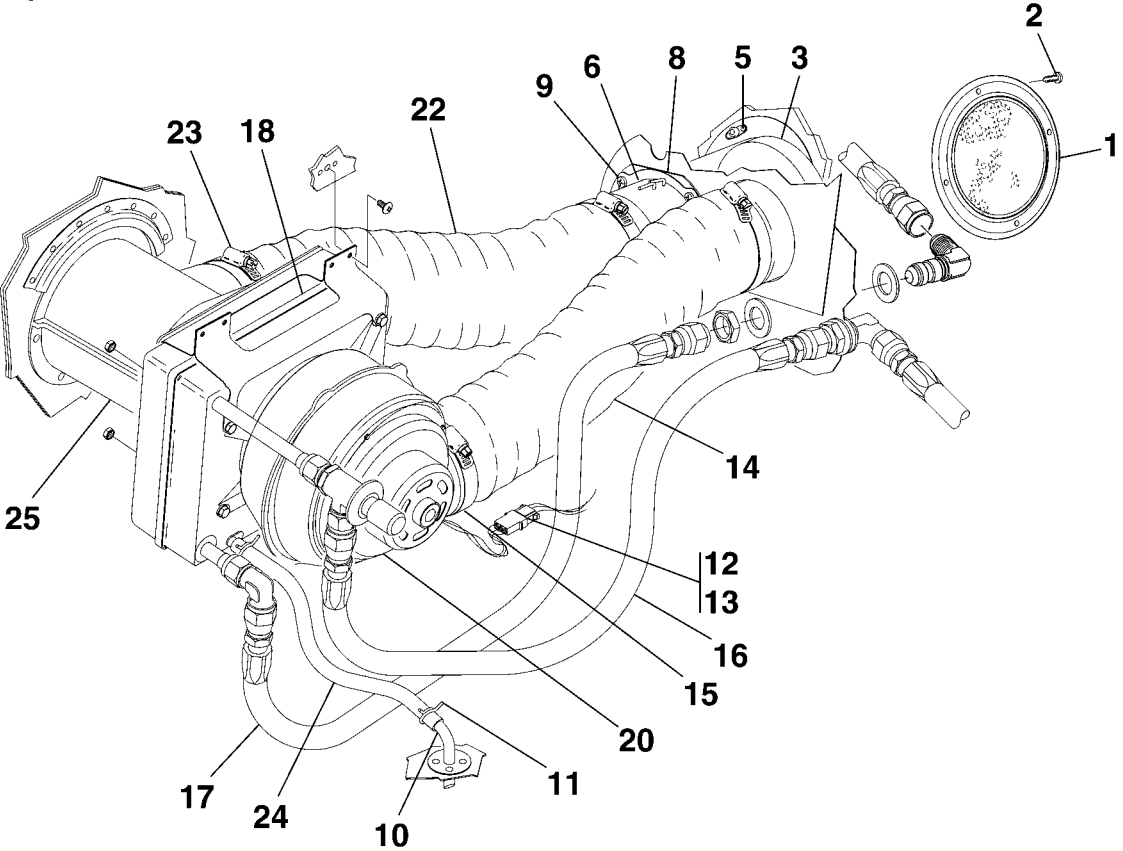
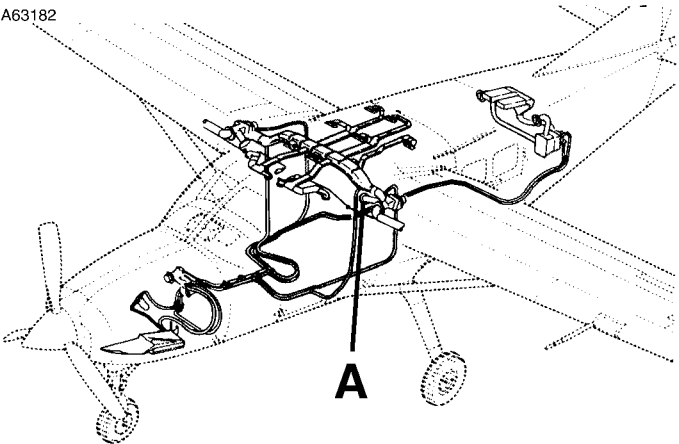
**CESSNA®**  
**MODEL 208**  
**ILLUSTRATED PARTS CATALOG**

FIG ITEM	PART NUMBER	NOMENCLATURE	UNITS PER ASSY		
			1	2	3
02		EVAPORATOR INSTALLATION - AFT MOUNTED	0140	& ON	RF
-			B0214	& ON	
1	2601352-3	. GRILL ASSY-AIR CONDITIONER . . . . .			02
2	AN525-10R12	. SCREW-GRILL ASSY ATTACH . . . . .			03
3	2601359-1	. ELBOW ASSY-RETURN AIR LH FSO 2601359-7 . . . . .	0140	0416	NP R
- 3A	2601359-7	. ELBOW ASSY-RETURN AIR LH . . . . .	B0124	B1266	
			0417	& ON	01
			B1267	& ON	
4	2601359-2	. ELBOW ASSY-RETURN AIR RH FSO 2601359-8 . . . . .	0140	0416	NP
- 4A	2601359-8	. ELBOW ASSY-RETURN AIR RH . . . . .	B0124	B1266	
			0417	& ON	01
			B1267	& ON	
5	MS21047L3	. . . NUTPLATE . . . . .			03
- 5A	MS21075-3	. . . NUTPLATE . . . . .	0417	& ON	05
			B1267	& ON	
6	S1053E29W	. DUCT BKI 10.0 IN LG . . . . .			01
7	S1891-56S	. CLAMP-DUCT ATTACH . . . . .			02
8	S1053E29W	. DUCT BKI 42.00 IN LG . . . . .			01
9	S1891-56S	. CLAMP-DUCT ATTACH . . . . .			02
10	S1053E24W	. DUCT BKI 25.00 IN LG . . . . .			01
11	S1891-48S	. CLAMP-DUCT ATTACH . . . . .			02
12	MS21919DG58	. CLAMP . . . . .			01
13	AN525-10R6	. SCREW-CLAMP ATTACH . . . . .			01
14	MS21044N3	. NUT-CLAMP ATTACH . . . . .			01
15	2601360-1	. HANGER . . . . .			01
16	AN525-10R6	. SCREW-HANGER ATTACH . . . . .			01
17	2601141-64	. DUCT ASSY-AIR CONDITIONING . . . . .			01
18	MS21047L08	. . . NUTPLATE . . . . .			04
- 19	NAS1149DN316H	. . . WASHER . . . . .			08
20	2601141-48	. DUCT ASSY-LH AIR CONDITIONING . . . . .	0140	0395	01
			B0214	B1170	
- 20A	2601141-87	. DUCT ASSY-LH AIR CONDITIONING . . . . .	0396	& ON	01
			B1171	& ON	
21	2601141-75	. DUCT ASSY-RH AIR CONDITIONING . . . . .	0140	0395	01
			B0214	B1170	
- 21A	2601141-88	. DUCT ASSY-RH AIR CONDITIONING . . . . .	0396	& ON	01
			B1171	& ON	
		ATTACHING PARTS			
22	MS35206-246	. SCREW . . . . .			02
23	AN525-832R16	. SCREW . . . . .			02
24	S1450-2-10-032	. WASHER . . . . .			02
		—*—			
25	C2437-035-4	. CLIP-LOUVER ATTACH . . . . .	V78553		08
- 25A	C2437-035-3B	. CLIP-LOUVER ATTACH ALT FOR C2437-035-4 . . . . .	V78553		08
26	2610020-82	. LOUVER ASSY-AIR CONDITIONER . . . . .			04
27	2601141-61	. DUCT ASSY-AIR CONDITIONER . . . . .			01
		ATTACHING PARTS			
28	AN525-10R6	. SCREW . . . . .			02
29	S355-1	. WASHER . . . . .			04
		—*—			
30	2601143-3	. BRACKET-EVAPORATOR SUPPORT . . . . .			01
31	2601143-7	. ANGLE-ATTACH . . . . .			01
32	2601143-5	. BRACKET ASSY-EVAPORATOR ATTACH . . . . .			01
33	MS21069L3	. . . NUTPLATE . . . . .			02
34		. EVAPORATOR ASSY-AFT A/C REFER TO 21-51-03 FIGURE 04 . . . . .			RF
35	AN3-3A	. BOLT ATTACH EVAPORATOR . . . . .			02
36	S1071-4	. LINE-EVAPORATOR DRAIN BKI . . . . .			01
37	S1494-8	. CLAMP . . . . .			01
38	MS35489-14	. GROMMET . . . . .			01
39	S1638-1	. HOUSING-SOCKET . . . . .			01
40	S1638-2	. HOUSING-CAP . . . . .			01
41	AS5174D0808	. UNION . . . . .	0140	0273	01
			B0214	B0654	
42	235-659	. FITTING . . . . .	VFRIG		01
			B0214	B0654	
43	235-421	. BUSHING . . . . .	VFRIG	0140	0273
			B0214	B0654	01
44	235-677	. FITTING . . . . .	VFRIG	0140	0273
			B0214	B0654	01
45		. HOSE REFER TO 21-51-00 FIGURE 01 . . . . .			RF

- ITEM NOT ILLUSTRATED

CESSNA®  
**MODEL 208**  
ILLUSTRATED PARTS CATALOG

A63182



**DETAIL A**

EVAPORATOR INSTALLATION - WING MOUNTED  
FIGURE 02A (SHEET 1)

2610R7005  
A2614T1083B

CESSNA®  
**MODEL 208**  
 ILLUSTRATED PARTS CATALOG

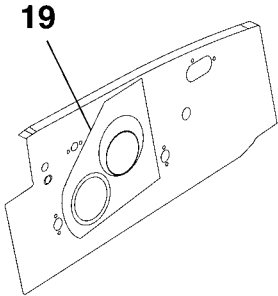
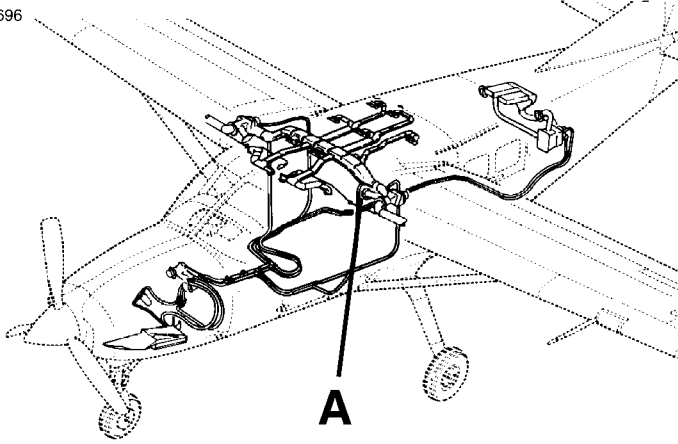
FIG ITEM	PART NUMBER	NOMENCLATURE	UNITS
			PER ASSY
		1 2 3 4 5 6 7	
02A		EVAPORATOR INSTALLATION - WING MOUNTED REFER TO NOTE 1	RF
- 1	2601352-3	. GRILL ASSY-AIR CONDITIONER . . . . .	01
		ATTACHING PARTS	
2	MS35207-263	. SCREW . . . . .	04
		—*—	
3	2601350-15	. DUCT ASSY . . . . .	01
- 4	2601350-16	. DUCT ASSY . . . . .	01
5	MS21047L3	. NUTPLATE . . . . .	08
6	2601350-1	. CHECK VALVE ASSY-LH . . . . .	01
- 7	2601350-2	. CHECK VALVE ASSY-RH . . . . .	01
8	2601350-4	. SEAL-CHECK VALVE . . . . .	02
		ATTACHING PARTS	
9	MS35207-264	. SCREW . . . . .	04
		—*—	
10	2601252-1	. TUBE ASSY . . . . .	01
		ATTACHING PARTS	
11	S1494-8	. CLAMP . . . . .	02
		—*—	
12	S1638-1	. PLUG-SOCKET . . . . .	02
13	S1638-2	. CAP . . . . .	02
14	F222038	. DUCT . . . . .	AR
		ATTACHING PARTS	
15	S1891-56S	. CLAMP . . . . .	02
		—*—	
16	AE713797-015	. HOSE ASSY . . . . .	01
17	AE713797-016	. HOSE ASSY . . . . .	01
18	1134380-4	. EVAPORATOR MODULE ASSY-RH . . . . .	01
- 19	1134380-5	. EVAPORATOR MODULE ASSY-LH . . . . .	01
20	1250380-28	. BLOWER ASSY-RH . . . . .	01 R
- 21	1250380-29	. BLOWER ASSY-LH . . . . .	01 R
22	F222109	. DUCT . . . . .	AR R
23	S1891-64S	. CLAMP . . . . .	02 R
24	P610051	. PLASTIC-TUBING . . . . .	AR R
25	2601141-82	. DUCT ASSY-RH . . . . .	01 R
- 26	2601141-81	. DUCT ASSY-LH . . . . .	01 R

NOTE 1—AIRPLANES -0140 THRU -0415, AND -0417 THRU -0499 AND AIRPLANES -B0214 THRU -B1189, -B1191 THRU -B1215, AND -B1217 THRU -B1999 INCORPORATING SK208-157A.

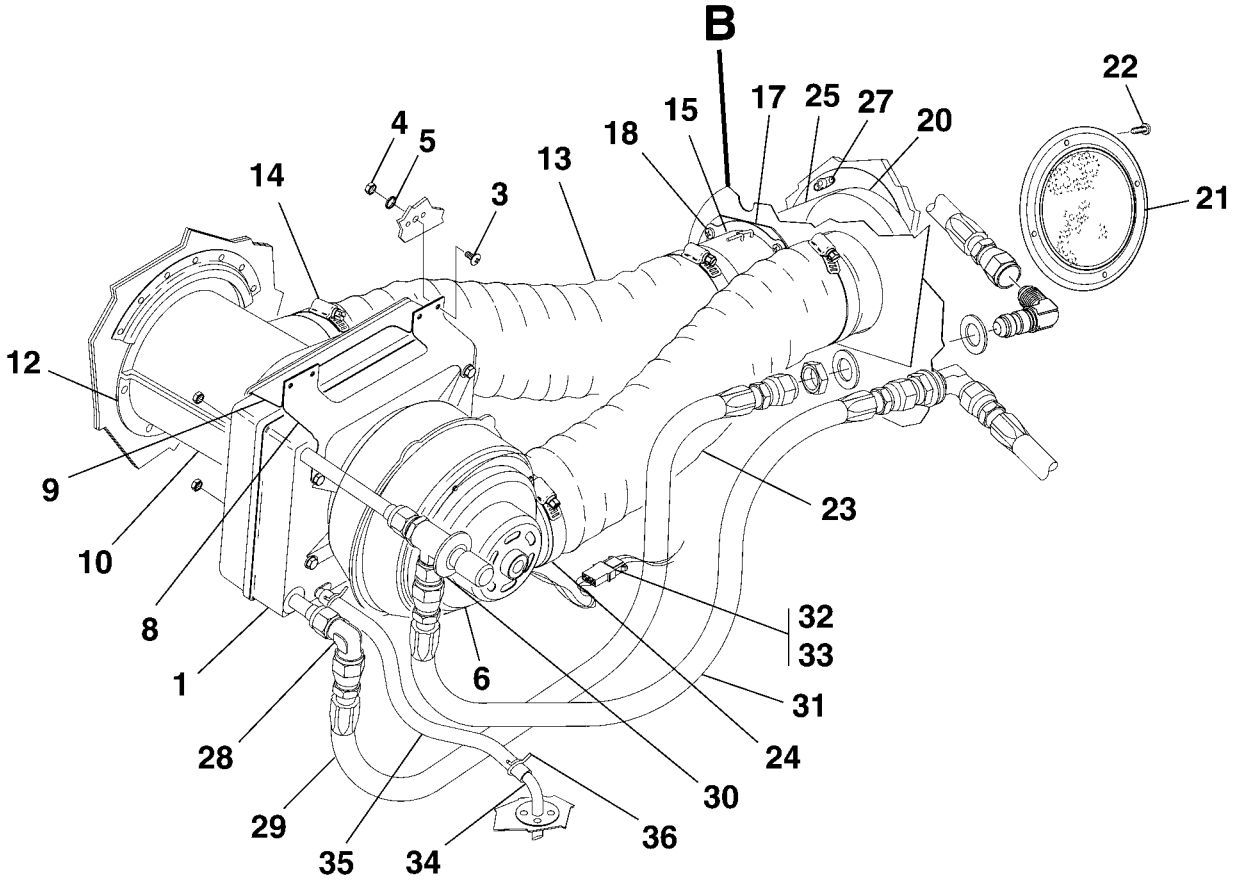


CESSNA®  
**MODEL 208**  
 ILLUSTRATED PARTS CATALOG

A104696



**DETAIL B**



**DETAIL A**

EVAPORATOR INSTALLATION - WING MOUNTED  
 FIGURE 02B (SHEET 1)

2610T7005  
 A2614T1083B

**CESSNA®**  
**MODEL 208**  
**ILLUSTRATED PARTS CATALOG**

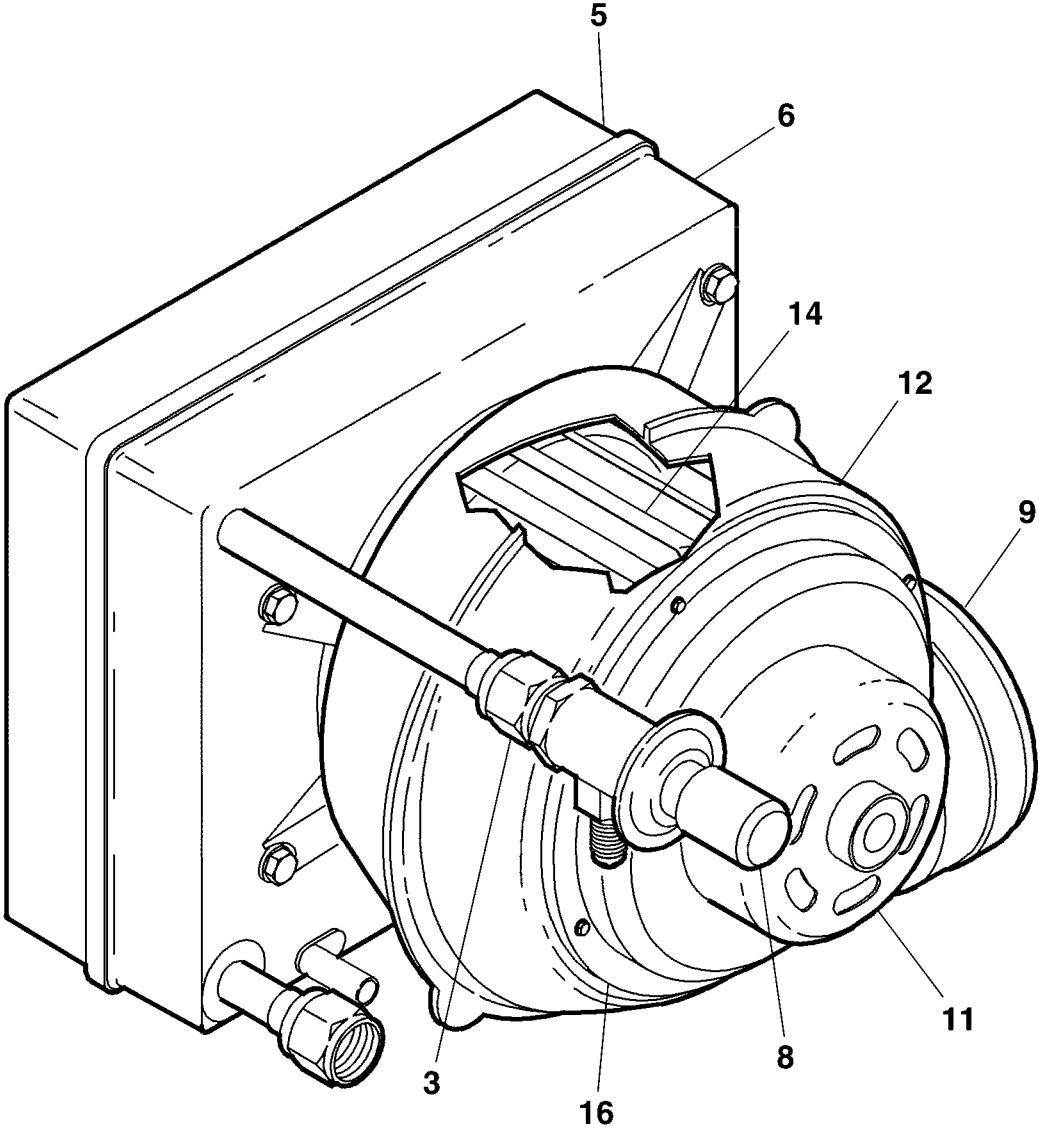
FIG ITEM	PART NUMBER	NOMENCLATURE	UNITS
			PER ASSY
		1 2 3 4 5 6 7	
02B		EVAPORATOR INSTALLATION - WING MOUNTED REFER TO NOTE 1 AND	RF
-		NOTE 2	
1	1134380-4	. EVAPORATOR MODULE ASSY-RH . . . . .	01
- 2	1134380-5	. EVAPORATOR MODULE ASSY-LH . . . . . ATTACHING PARTS	01
3	AN3-4A	. BOLT . . . . .	04
4	MS21044N3	. NUT . . . . .	04
5	NAS1149F0363P	. WASHER . . . . . —*—	04
6	1250380-28	. . BLOWER ASSY-RH . . . . .	01 R
- 7	1250380-29	. . BLOWER ASSY-LH . . . . .	01 R
8	2601143-1	. BRACKET-LH . . . . .	01 R
9	2601143-2	. BRACKET-RH . . . . .	01 R
10	2601141-81	. DUCT ASSY-LH . . . . .	01 R
- 11	2601141-82	. DUCT ASSY-RH . . . . .	01 R
12	2611165-2	. SHIM . . . . .	ARR
13	F222109	. DUCT . . . . .	ARR
14	S1891-64S	. CLAMP . . . . .	02 R
15	2601350-1	. CHECK VALVE ASSY-LH . . . . .	01 R
- 16	2601350-2	. CHECK VALVE ASSY-RH . . . . .	01 R
17	2601350-4	. SEAL-CHECK VALVE . . . . . ATTACHING PARTS	02 R
18	MS35207-264	. SCREW . . . . . —*—	04 R
19	2601151-2	. DOUBLER . . . . .	01 R
20	2601141-49	. DUCT ASSY . . . . .	01 R
21	2601352-3	. GRILL ASSY-AIR CONDITIONER . . . . . ATTACHING PARTS	01 R
22	MS35207-263	. SCREW . . . . . —*—	04 R
23	F222038	. DUCT . . . . . ATTACHING PARTS	ARR
24	S1891-56S	. CLAMP . . . . . —*—	02 R
25	2601350-15	. DUCT ASSY . . . . .	01 R
- 26	2601350-16	. DUCT ASSY . . . . .	01 R
27	MS21047L3	. . NUTPLATE . . . . .	08 R
28	AN821-8D	. ELBOW . . . . .	04 R
29	AE713797-015	. HOSE ASSY . . . . .	01 R
30	2406-4-6	. TUBE REDUCER . . . . .	01 R
31	AE713797-016	. HOSE ASSY . . . . .	01 R
32	S1638-1	. PLUG-SOCKET . . . . .	02 R
33	S1638-2	. CAP . . . . .	02 R
34	2601252-1	. TUBE ASSY . . . . .	01 R
35	P610051	. PLASTIC-TUBING . . . . . ATTACHING PARTS	ARR
36	S1494-8	. CLAMP . . . . . —*—	02 R

NOTE 1—AIRPLANES -0500 AND ON AND AIRPLANES -B2000 THRU -B4999 INCORPORATING CAB-21-03.

NOTE 2—AIRPLANES -B5000 AND ON INCORPORATING CAB-21-04.

CESSNA®  
**MODEL 208**  
ILLUSTRATED PARTS CATALOG

A25238



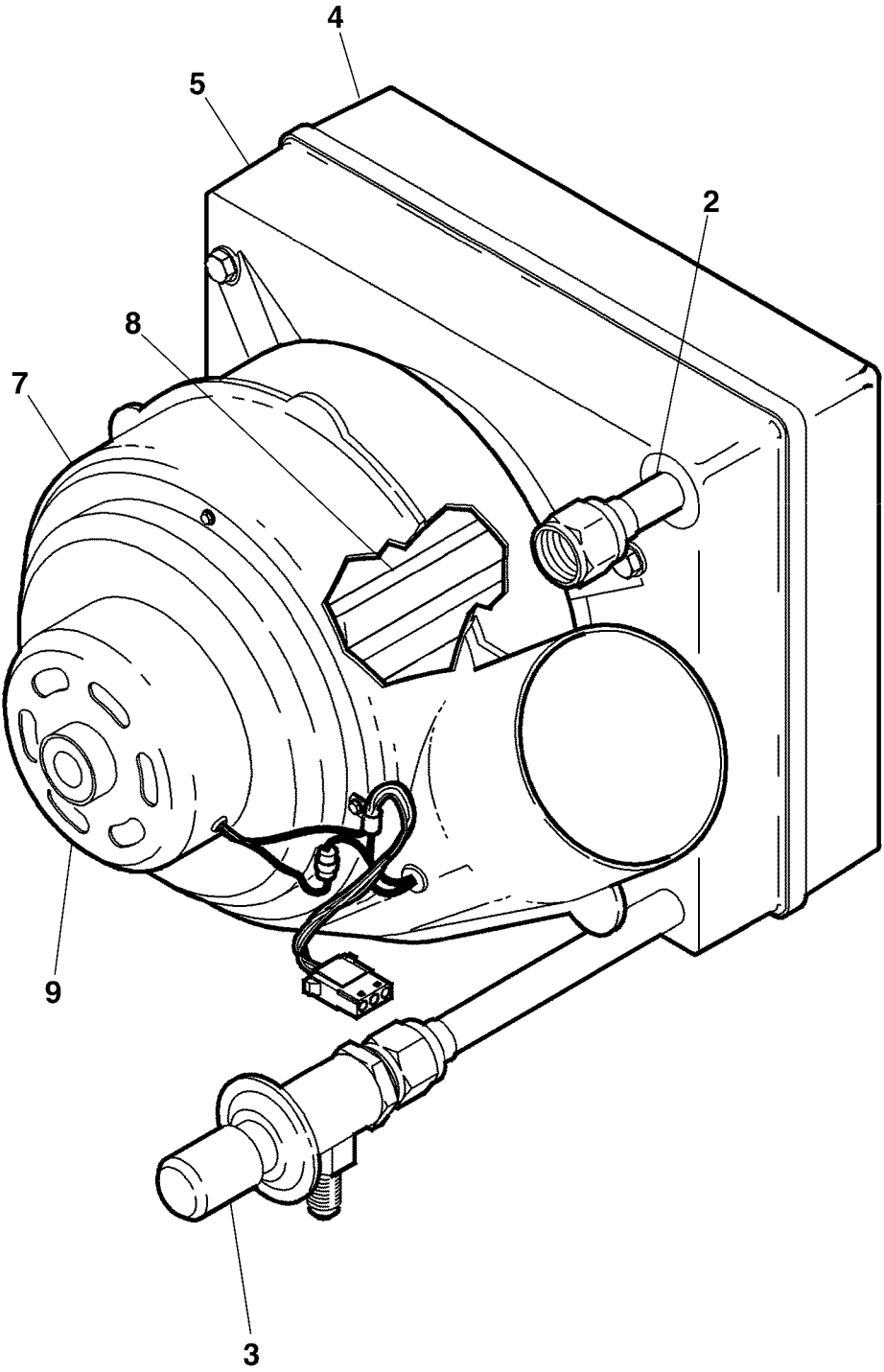
EVAPORATOR ASSEMBLIES - WING MOUNTED  
FIGURE 03 (SHEET 1)

2614T1095



CESSNA®  
**MODEL 208**  
ILLUSTRATED PARTS CATALOG

A25239



EVAPORATOR ASSEMBLY - AFT  
FIGURE 04 (SHEET 1)

2614T1094

**CESSNA®**  
**MODEL 208**  
**ILLUSTRATED PARTS CATALOG**

FIG ITEM	PART NUMBER	NOMENCLATURE	UNITS	
			PER	ASSY
		1 2 3 4 5 6 7		
04		EVAPORATOR ASSEMBLY - AFT	0140	& ON RF
-			B0214	& ON
- 1	1250200-23	. EVAPORATOR ASSY-AFT FSO 1134200-28 . . . . .	V0B9E8 0140	0273 NP
			B0214	B0654
- 1A	1134200-17	. EVAPORATOR ASSY-AFT FSO 1134200-28 . . . . .	V0B9E8 0274	0403 NP
			B0655	B1200
- 1B	1134200-28	. EVAPORATOR ASSY-AFT MT005 . . . . .	V0B9E8 0404	& ON 01
			B1201	& ON
2	1250230-18	. . COIL ASSY-EVAPORATOR . . . . .	V0B9E8 0140	& ON 01
			B0214	& ON
3	1250218	. . VALVE-EVAPORATOR EXPANSION . . . . .	V0B9E8 0140	0273 01
			B0214	B0654
- 3A	1134218	. . VALVE-EVAPORATOR EXPANSION . . . . .	V0B9E8 0274	& ON 01
			B0655	& ON
- 3B	FWA1134218	. . VALVE-EVAPORATOR EXPANSION ALT FOR 1134218 . . . . .	V0B9E8 0274	& ON 01
			B0655	& ON
4	1250214-3	. . ESCUTCHEON-EVAPORATOR . . . . .	V0B9E8 0140	0273 01
			B0214	B0654
- 4A	1250214	. . ESCUTCHEON-EVAPORATOR . . . . .	V0B9E8 0274	& ON 01
			B0655	& ON
5	1250216-3	. . SHROUD ASSY-EVAPORATOR . . . . .	V0B9E8 0140	0273 01
			B0214	B0654
- 5A	1250216-13	. . SHROUD ASSY-EVAPORATOR . . . . .	V0B9E8 0274	& ON 01
			B0655	& ON
- 6	1250270-13	. . BLOWER ASSY-EVAPORATOR . . . . .	V0B9E8 0140	& ON 01
			B0214	& ON
7	1250208-3	. . . SCROLL ASSY-EVAPORATOR BLOWER . . . . .	V0B9E8 0140	& ON 01
			B0214	& ON
8	1250219-1	. . . WHEEL-BLOWER . . . . .	V0B9E8 0140	& ON 01
			B0214	& ON
9	1250210-1	. . . MOTOR ASSY-EVAPORATOR . . . . .	V0B9E8 0140	0403 01 R
			B0214	B1200
- 9A	1133210-6	. . . MOTOR ASSY-EVAPORATOR . . . . .	V0B9E8 0404	& ON 01 R
			B1201	& ON
- 10	1250274	. . . GASKET . . . . .	V0B9E8 0274	& ON 01
			B0655	& ON

- ITEM NOT ILLUSTRATED